



Chipsmall Limited consists of a professional team with an average of over 10 year of expertise in the distribution of electronic components. Based in Hongkong, we have already established firm and mutual-benefit business relationships with customers from,Europe,America and south Asia,supplying obsolete and hard-to-find components to meet their specific needs.

With the principle of “Quality Parts,Customers Priority,Honest Operation,and Considerate Service”,our business mainly focus on the distribution of electronic components. Line cards we deal with include Microchip,ALPS,ROHM,Xilinx,Pulse,ON,Everlight and Freescale. Main products comprise IC,Modules,Potentiometer,IC Socket,Relay,Connector.Our parts cover such applications as commercial,industrial, and automotives areas.

We are looking forward to setting up business relationship with you and hope to provide you with the best service and solution. Let us make a better world for our industry!



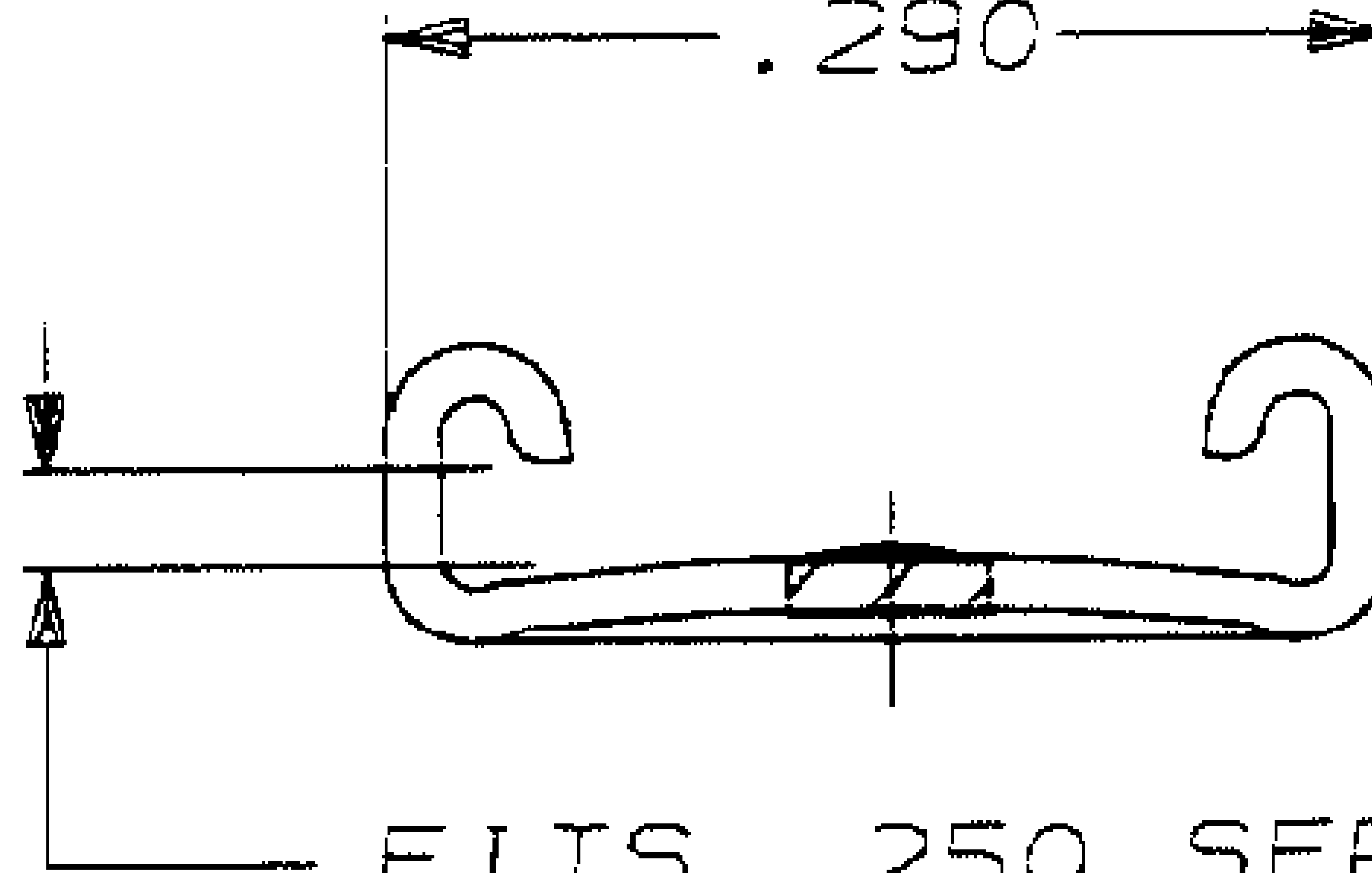
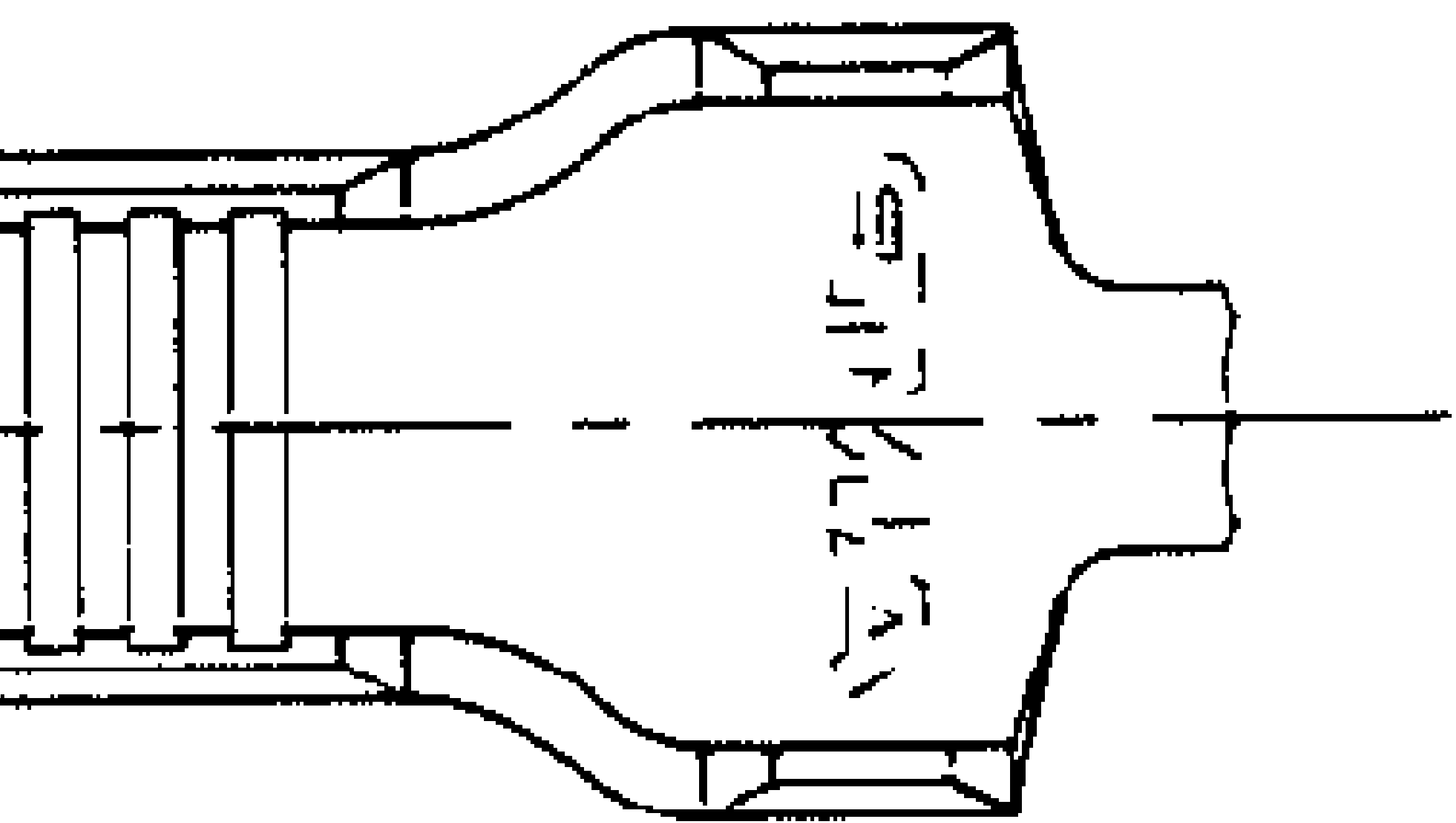
Contact us

Tel: +86-755-8981 8866 Fax: +86-755-8427 6832

Email & Skype: info@chipsmall.com Web: www.chipsmall.com

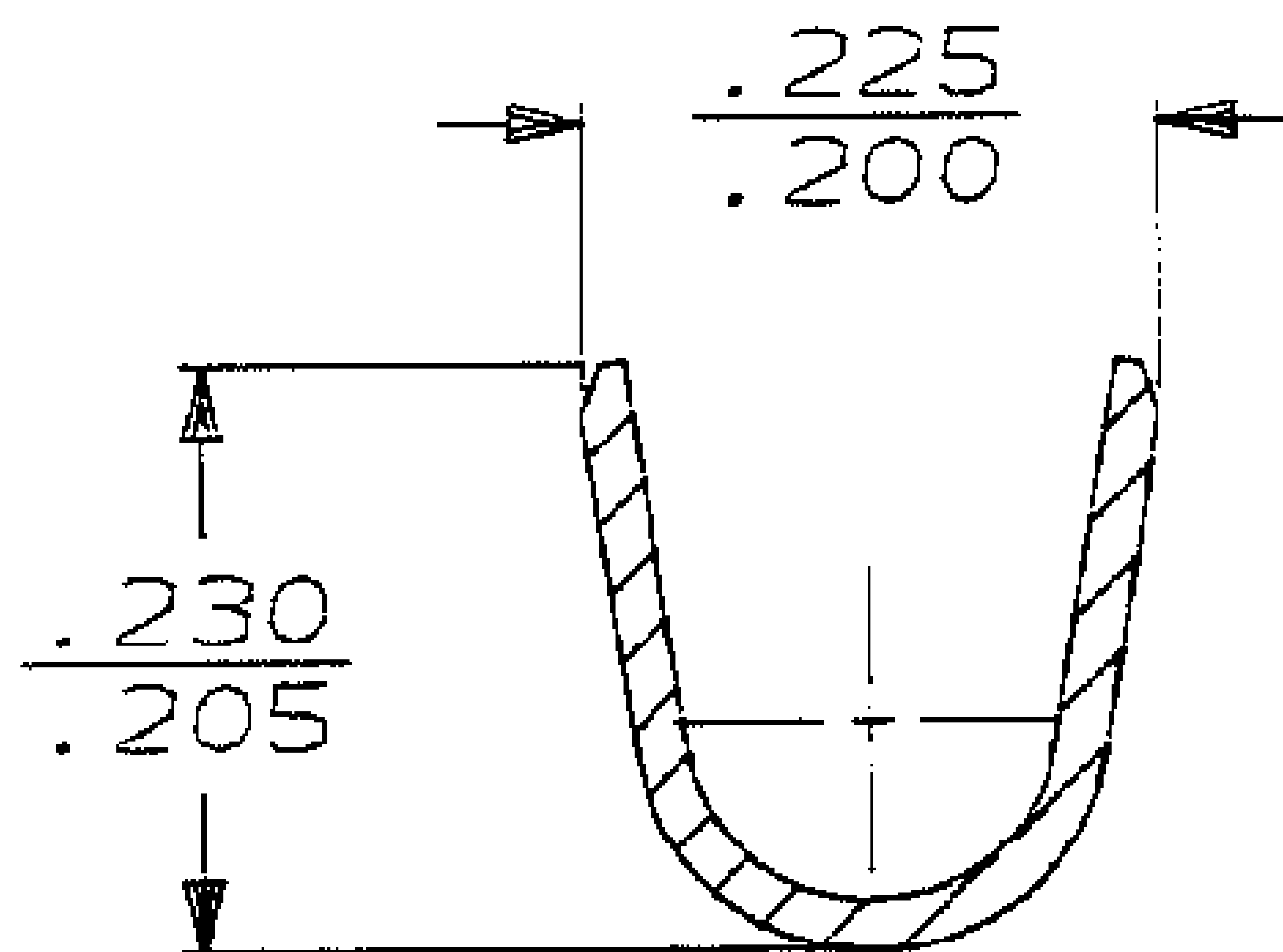
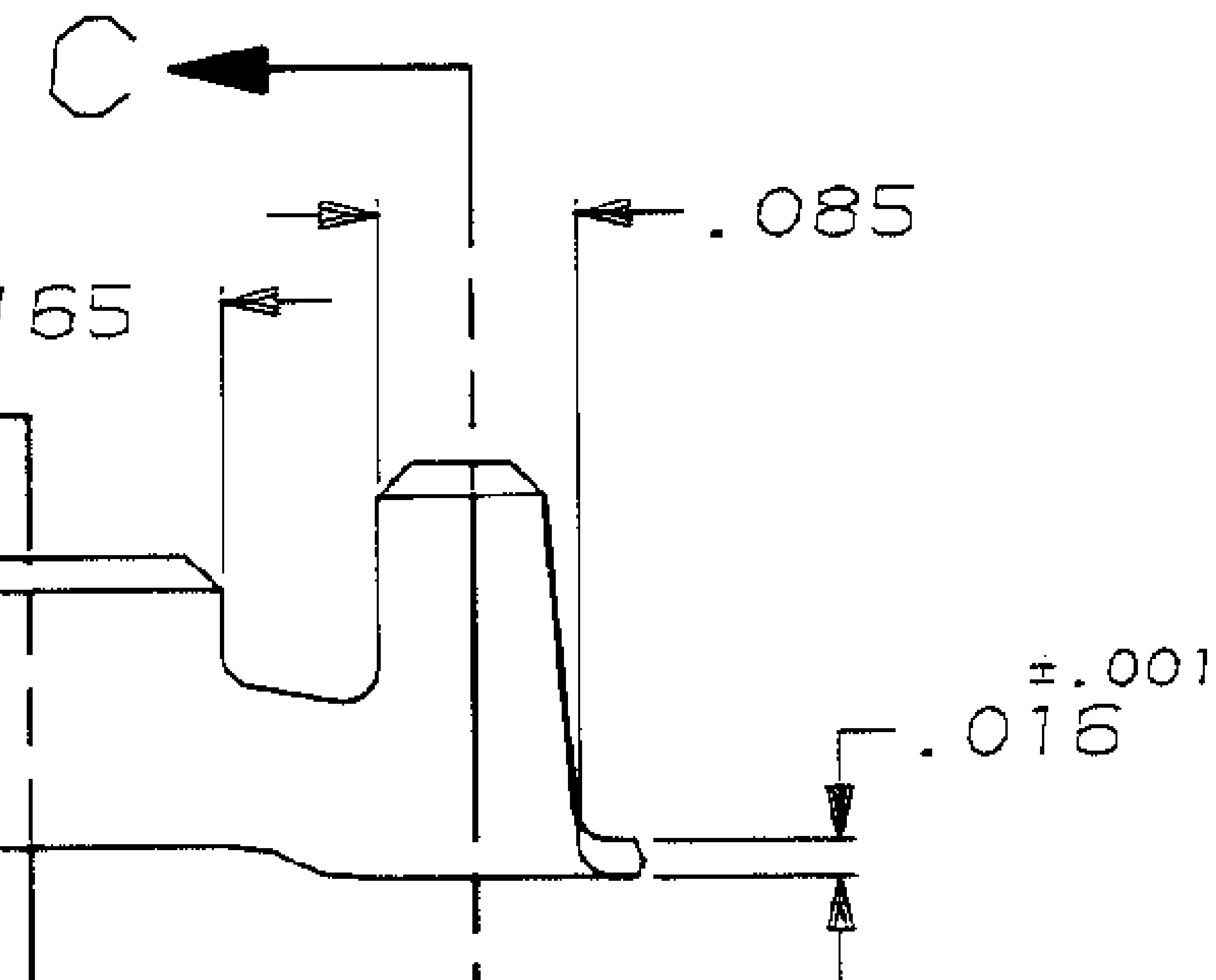
Address: A1208, Overseas Decoration Building, #122 Zhenhua RD., Futian, Shenzhen, China





FITS .250 SERIES
FASTON TAB

VIEW A-A



SECTION C-C

OBSOLETE

TIN	.120-.170	2000-4500	18-14 OR TWO
FINISH	INSULATION RANGE	CMA	MAGNET WI
			WIRE SIZE

DO NOT SCALE PRINT.
UNLESS SPECIFIED
DIMENSIONS ARE IN INCHES
TOLERANCES ON:
2 PLC DEC ± -
3 PLC DEC ± .015
ANGLES ± -

DR 5/18/90
JR RUTH
CHK 5/18/90
MS FEHER
APPD 5/18/90
C MEYERS
APPD 5/18/90