



Chipsmall Limited consists of a professional team with an average of over 10 year of expertise in the distribution of electronic components. Based in Hongkong, we have already established firm and mutual-benefit business relationships with customers from,Europe,America and south Asia,supplying obsolete and hard-to-find components to meet their specific needs.

With the principle of “Quality Parts,Customers Priority,Honest Operation,and Considerate Service”,our business mainly focus on the distribution of electronic components. Line cards we deal with include Microchip,ALPS,ROHM,Xilinx,Pulse,ON,Everlight and Freescale. Main products comprise IC,Modules,Potentiometer,IC Socket,Relay,Connector.Our parts cover such applications as commercial,industrial, and automotives areas.

We are looking forward to setting up business relationship with you and hope to provide you with the best service and solution. Let us make a better world for our industry!



Contact us

Tel: +86-755-8981 8866 Fax: +86-755-8427 6832

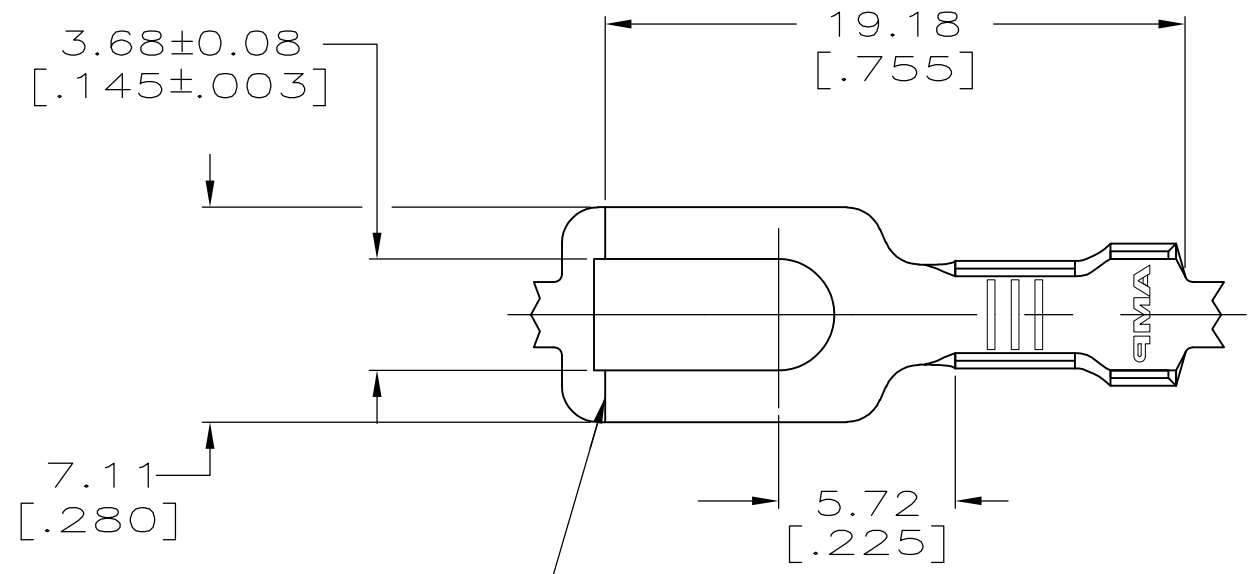
Email & Skype: info@chipsmall.com Web: www.chipsmall.com

Address: A1208, Overseas Decoration Building, #122 Zhenhua RD., Futian, Shenzhen, China

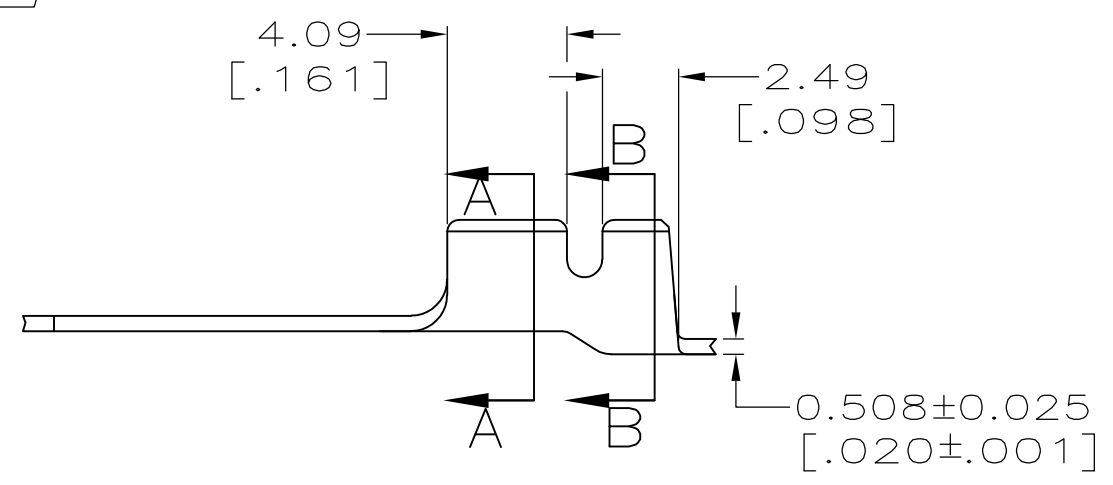


THIS DRAWING IS UNPUBLISHED. RELEASED FOR PUBLICATION
 © COPYRIGHT BY TYCO ELECTRONICS CORPORATION. ALL INTERNATIONAL RIGHTS RESERVED.

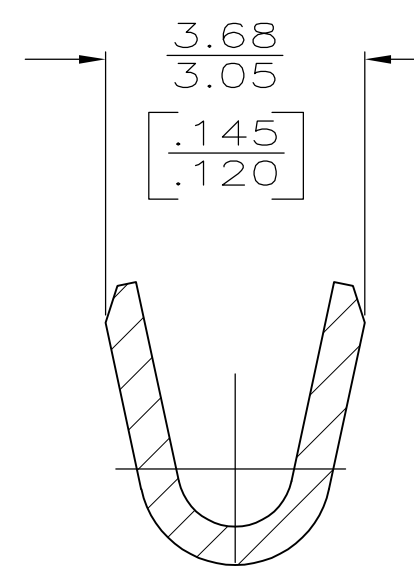
LOC	DIST	REVISIONS			
P	LTR	DESCRIPTION	DATE	DWN	APVD
AF	50	J	REVISED PER ECR-10-006099	07JUL10	HMR PD



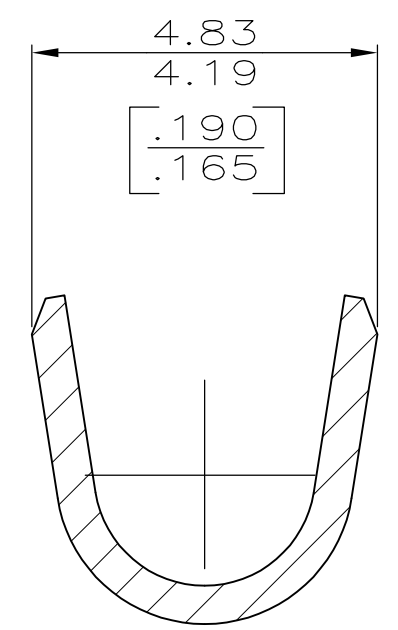
APPLICATOR CUT-OFF



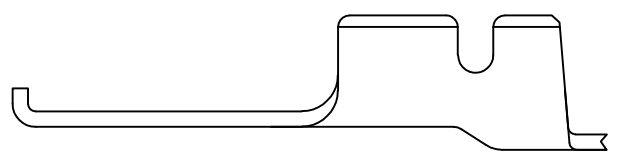
- CONTINUOUS STRIP ON REEL
- WIRE SIZE IS #20-#16 AWG
- INSULATION RANGE IS 2.54-3.56 [.100-.140] DIA



SECTION A-A
SCALE 10:1



SECTION B-B
SCALE 10:1



FLANGED IN APPLICATOR

TIN	60389-2
-	60389-1
FINISH	PART NUMBER

THIS DRAWING IS A CONTROLLED DOCUMENT.		DWN 16/DEC/97 PHILLIP M FORTNEY	Tyco Electronics Corporation Harrisburg, PA 17105-3608		
DIMENSIONS: mm [INCHES]		CHK 16/DEC/97 JEFF R RUTH	NAME		
TOLERANCES UNLESS OTHERWISE SPECIFIED:		APVD 16/DEC/97 GARY YETTER	SPADE		
0 PLC ± -		PRODUCT SPEC	SIZE		
1 PLC ± -		APPLICATION SPEC	CAGE CODE		
2 PLC ± 0.25 [.010]		WEIGHT	DRAWING NO		
3 PLC ± -		CUSTOMER DRAWING	RESTRICTED TO		
4 PLC ± -		SCALE 4:1	SHEET 1 OF 1		
ANGLES ± -		SCALE 4:1	REV J		
FINISH SEE TABLE		A3 00779 C-60389			
MATERIAL 082 BRASS		SCALE 4:1 SHEET 1 OF 1 REV J			