



Chipsmall Limited consists of a professional team with an average of over 10 year of expertise in the distribution of electronic components. Based in Hongkong, we have already established firm and mutual-benefit business relationships with customers from,Europe,America and south Asia,supplying obsolete and hard-to-find components to meet their specific needs.

With the principle of “Quality Parts,Customers Priority,Honest Operation,and Considerate Service”,our business mainly focus on the distribution of electronic components. Line cards we deal with include Microchip,ALPS,ROHM,Xilinx,Pulse,ON,Everlight and Freescale. Main products comprise IC,Modules,Potentiometer,IC Socket,Relay,Connector.Our parts cover such applications as commercial,industrial, and automotives areas.

We are looking forward to setting up business relationship with you and hope to provide you with the best service and solution. Let us make a better world for our industry!



## Contact us

Tel: +86-755-8981 8866 Fax: +86-755-8427 6832

Email & Skype: info@chipsmall.com Web: www.chipsmall.com

Address: A1208, Overseas Decoration Building, #122 Zhenhua RD., Futian, Shenzhen, China



4

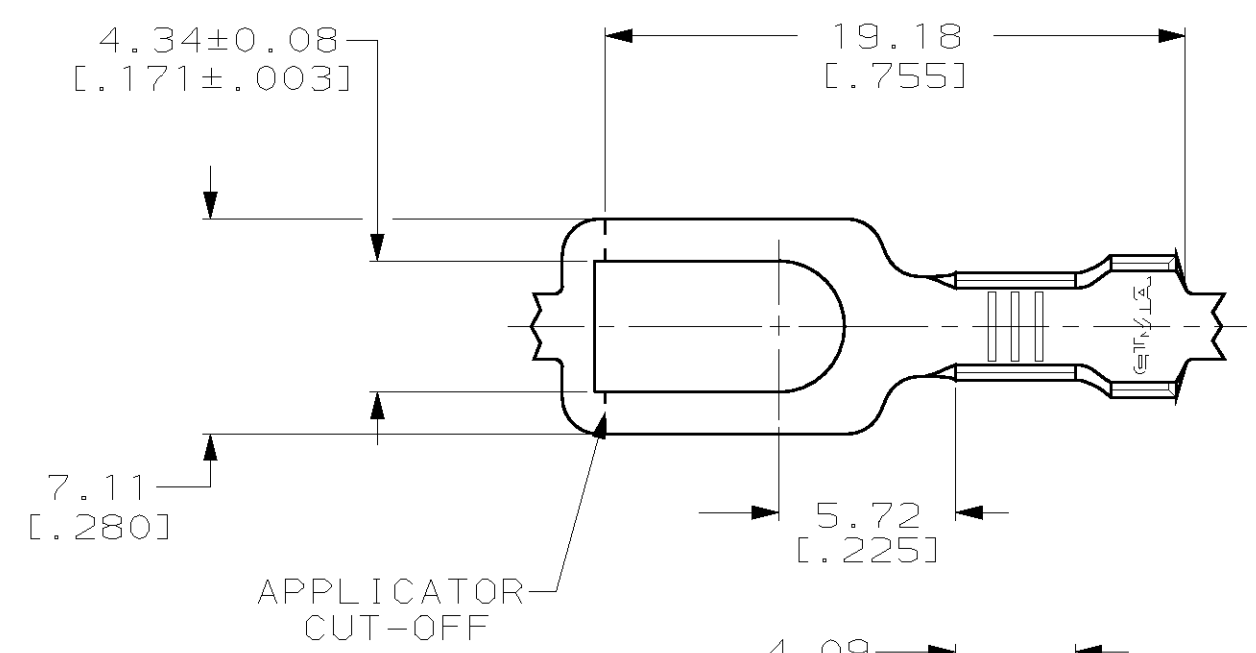
3

2

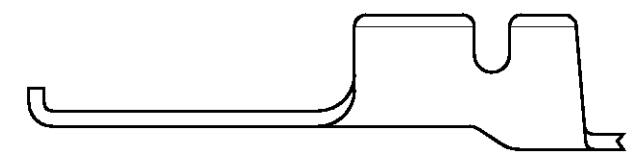
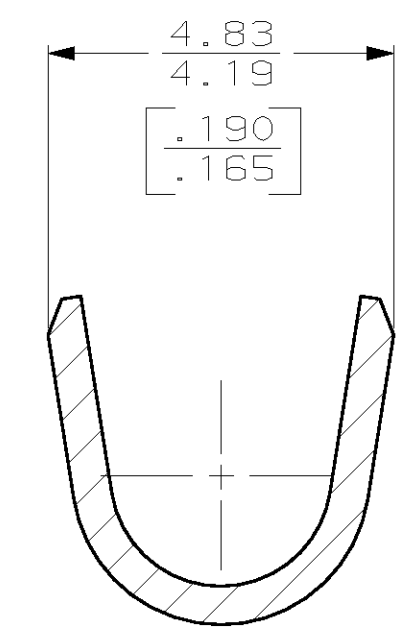
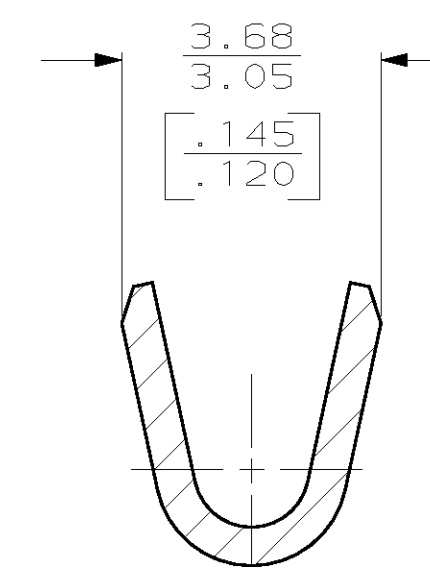
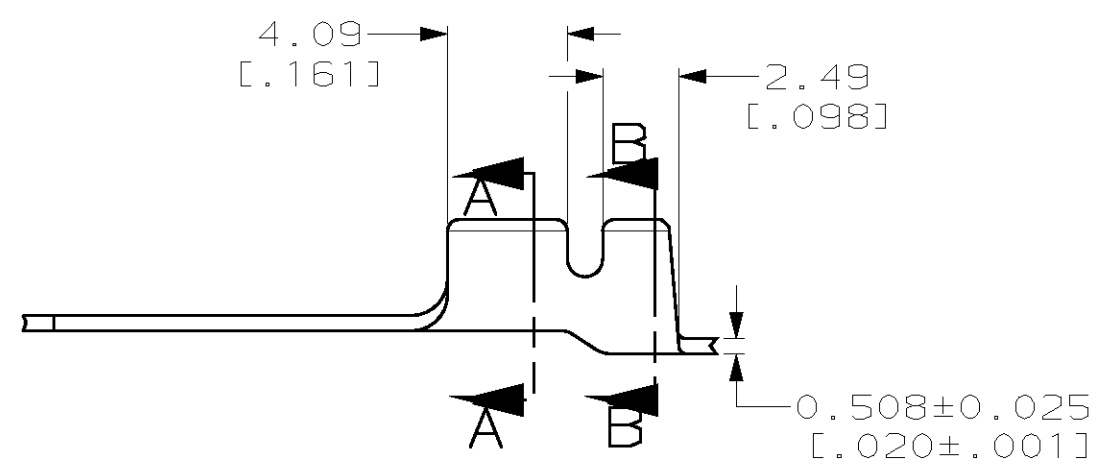
1

THIS DRAWING IS UNPUBLISHED. RELEASED FOR PUBLICATION, 19 .  
 © COPYRIGHT 19 BY AMP INCORPORATED. ALL RIGHTS RESERVED.

LOC	DIST	REVISIONS					
		P	LTR	DESCRIPTION	DATE	DWN	APVD
AF	50		E	REDRAWN PER 0L10-0470-97	16/DEC/97	PF	GY



1 CONTINUOUS STRIP ON REEL



FLANGED IN APPLICATOR

2.54-3.56 [.100-.140] DIA	20-16 AWG	60390-1
INSULATION RANGE	WIRE RANGE	PART NUMBER

THIS DRAWING IS A CONTROLLED DOCUMENT.		DWN PHILLIP M FORTNEY 16/DEC/97	AMP Incorporated Harrisburg, PA 17105-3608															
DIMENSIONS: mm [INCHES]		CHK JEFF R RUTH 16/DEC/97	NAME <b>SPADE</b>															
TOLERANCES UNLESS OTHERWISE SPECIFIED:		APVD GARY YETTER 16/DEC/97																
<table border="1"> <tr><td>0 PLC</td><td>±-</td></tr> <tr><td>1 PLC</td><td>±-</td></tr> <tr><td>2 PLC</td><td>±0.25 [.010]</td></tr> <tr><td>3 PLC</td><td>±-</td></tr> <tr><td>4 PLC</td><td>±-</td></tr> <tr><td>ANGLES</td><td>±-</td></tr> </table>		0 PLC	±-	1 PLC	±-	2 PLC	±0.25 [.010]	3 PLC	±-	4 PLC	±-	ANGLES	±-	PRODUCT SPEC -	SIZE A3	CAGE CODE 00779	DRAWING NO C- 60390	RESTRICTED TO -
0 PLC	±-																	
1 PLC	±-																	
2 PLC	±0.25 [.010]																	
3 PLC	±-																	
4 PLC	±-																	
ANGLES	±-																	
MATERIAL 082 BRASS		FINISH -	WEIGHT -		SCALE 4:1	SHEET 1 OF 1	REV E											
CUSTOMER DRAWING																		