



Chipsmall Limited consists of a professional team with an average of over 10 year of expertise in the distribution of electronic components. Based in Hongkong, we have already established firm and mutual-benefit business relationships with customers from,Europe,America and south Asia,supplying obsolete and hard-to-find components to meet their specific needs.

With the principle of “Quality Parts,Customers Priority,Honest Operation,and Considerate Service”,our business mainly focus on the distribution of electronic components. Line cards we deal with include Microchip,ALPS,ROHM,Xilinx,Pulse,ON,Everlight and Freescale. Main products comprise IC,Modules,Potentiometer,IC Socket,Relay,Connector.Our parts cover such applications as commercial,industrial, and automotives areas.

We are looking forward to setting up business relationship with you and hope to provide you with the best service and solution. Let us make a better world for our industry!



Contact us

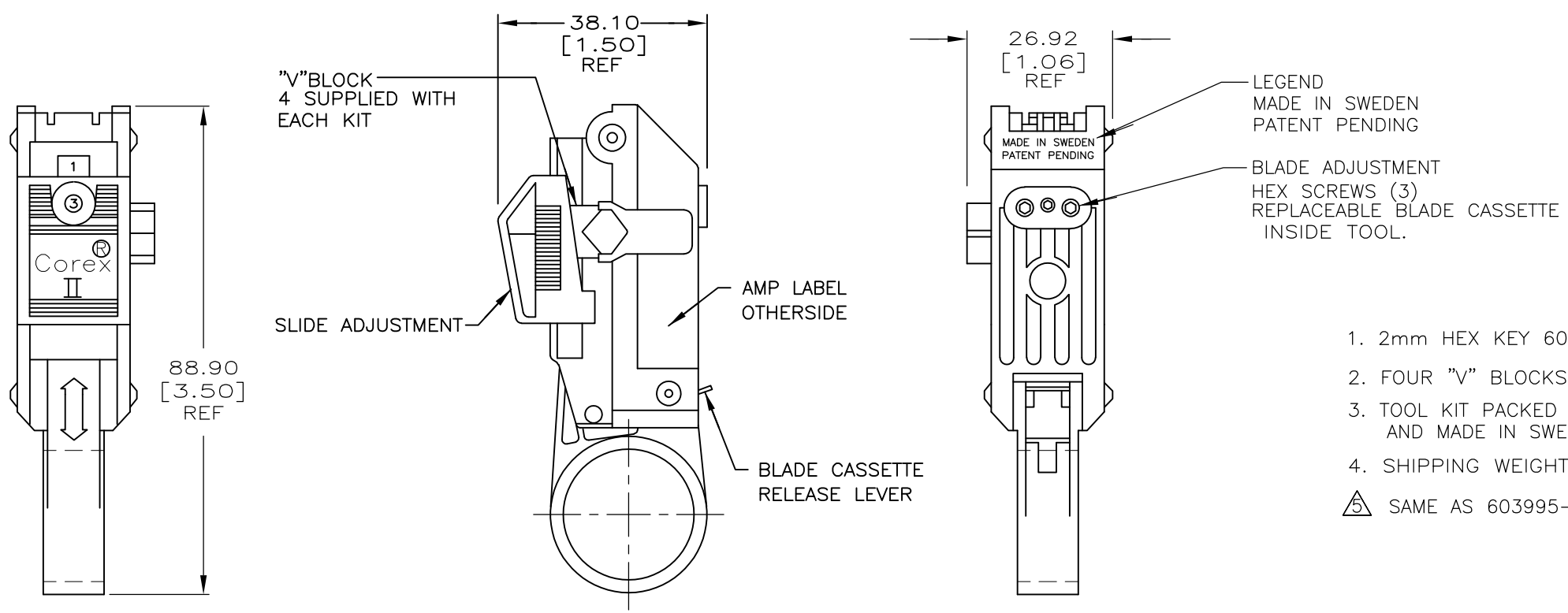
Tel: +86-755-8981 8866 Fax: +86-755-8427 6832

Email & Skype: info@chipsmall.com Web: www.chipsmall.com

Address: A1208, Overseas Decoration Building, #122 Zhenhua RD., Futian, Shenzhen, China



LOC	DIST	REVISIONS					
AJ	16	P	LTR	DESCRIPTION	DATE	DWN	APVD
		P		REVISED PER ECO-11-005294	02APR11	RK	HMR



1. 2mm HEX KEY 603988-1, SUPPLIED WITH EACH KIT.
 2. FOUR "V" BLOCKS & ADJUSTMENT GAUGE, SUPPLIED WITH EACH KIT.
 3. TOOL KIT PACKED IN VINYL POUCH OR BOX WITH PART NUMBER AND MADE IN SWEDEN ON LABELS
 4. SHIPPING WEIGHT .19 Lb.
- △ SAME AS 603995-1 EXCEPT, 10 PER PACKAGE

TOOL KIT NO.	CASSETTE
603995-1	603996-1
603995-2	603996-2
603995-3	603996-3
603995-5	603996-4
603995-6	603996-5

2 STEP STYLE FOR SINGLE CRIMP BNC △	603995-9
3 STEP STYLE FOR DUAL CRIMP COMMERCIAL BNC	603995-6
3 STEP STYLE FOR DUAL CRIMP BNC	603995-5
2 STEP STYLE FOR ECONOMY UHF	603995-3
2 STEP STYLE FOR COMMERCIAL BNC	603995-2
2 STEP STYLE FOR SINGLE CRIMP BNC	603995-1
DESCRIPTION	PART NO

"V" BLOCK		CABLE	
PART NO.	COLOR	DIA. RANGE	RG #
603997-1	RED	3.05-5.08 [.120-.200]	195
603997-2	BLUE	5.08-6.35 [.200-.250]	58, 59, 62
603997-3	YELLOW	6.35-7.62 [.250-.300]	BELDEN 8281
603997-4	WHITE	2.54-3.05 [.100-.120]	174, 188

THIS DRAWING IS A CONTROLLED DOCUMENT.		DWN	J.L.GROFT	6-21-95	TE Connectivity NAME COAXIAL CABLE STRIPPER
DIMENSIONS: MM [INCHES]		CHK	R.J.KOBLER	6-21-95	
TOLERANCES UNLESS OTHERWISE SPECIFIED:		APVD	R.J.KOBLER	6-21-95	
0 PLC ± - 1 PLC ± - 2 PLC ± 0.38 [.015] 3 PLC ± - 4 PLC ± - ANGLES ± -		PRODUCT SPEC	-	-	
MATERIAL	-	FINISH	-	-	APPLICATION SPEC - WEIGHT -
CUSTOMER DRAWING					SIZE A3
					CAGE CODE 00779
					DRAWING NO C-603995
					RESTRICTED TO -
					SCALE 1:1
					SHEET 1 of 1
					REV P