



Chipsmall Limited consists of a professional team with an average of over 10 year of expertise in the distribution of electronic components. Based in Hongkong, we have already established firm and mutual-benefit business relationships with customers from,Europe,America and south Asia,supplying obsolete and hard-to-find components to meet their specific needs.

With the principle of “Quality Parts,Customers Priority,Honest Operation,and Considerate Service”,our business mainly focus on the distribution of electronic components. Line cards we deal with include Microchip,ALPS,ROHM,Xilinx,Pulse,ON,Everlight and Freescale. Main products comprise IC,Modules,Potentiometer,IC Socket,Relay,Connector.Our parts cover such applications as commercial,industrial, and automotives areas.

We are looking forward to setting up business relationship with you and hope to provide you with the best service and solution. Let us make a better world for our industry!



Contact us

Tel: +86-755-8981 8866 Fax: +86-755-8427 6832

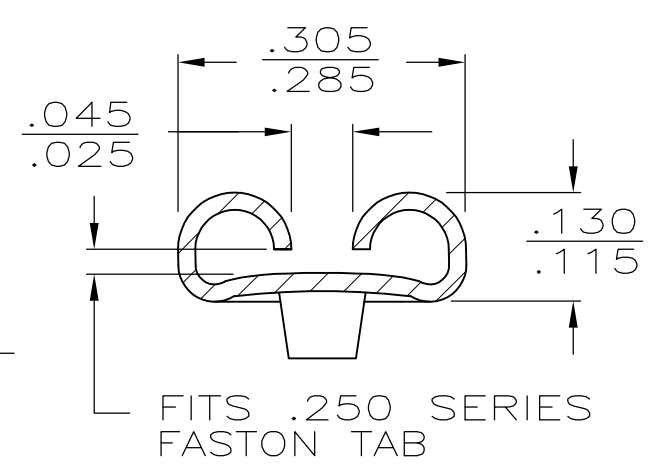
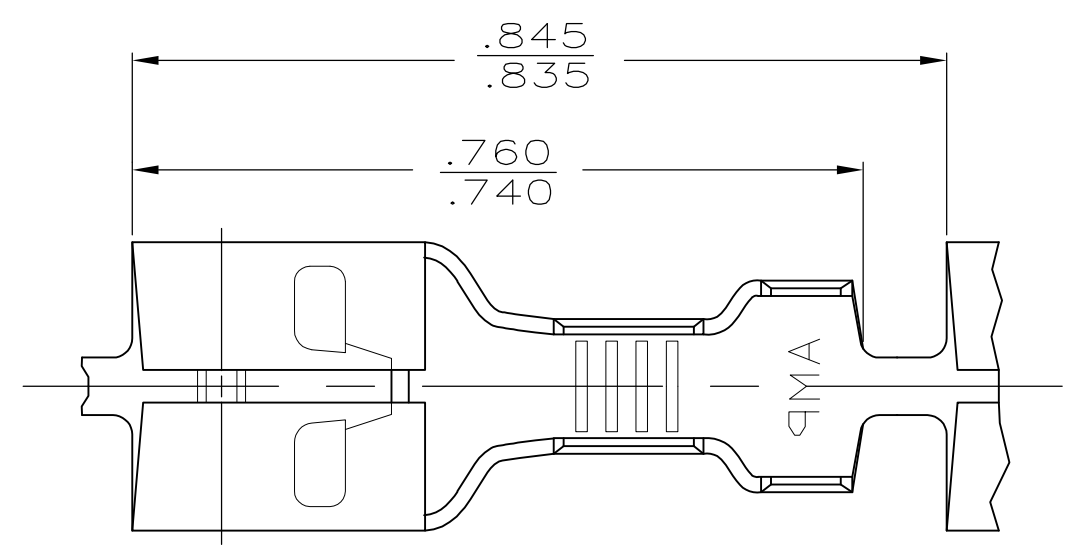
Email & Skype: info@chipsmall.com Web: www.chipsmall.com

Address: A1208, Overseas Decoration Building, #122 Zhenhua RD., Futian, Shenzhen, China



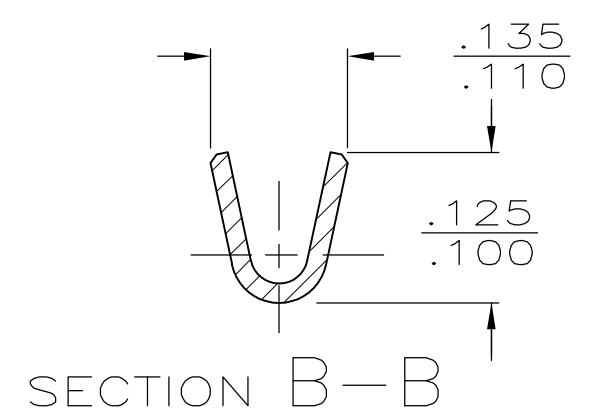
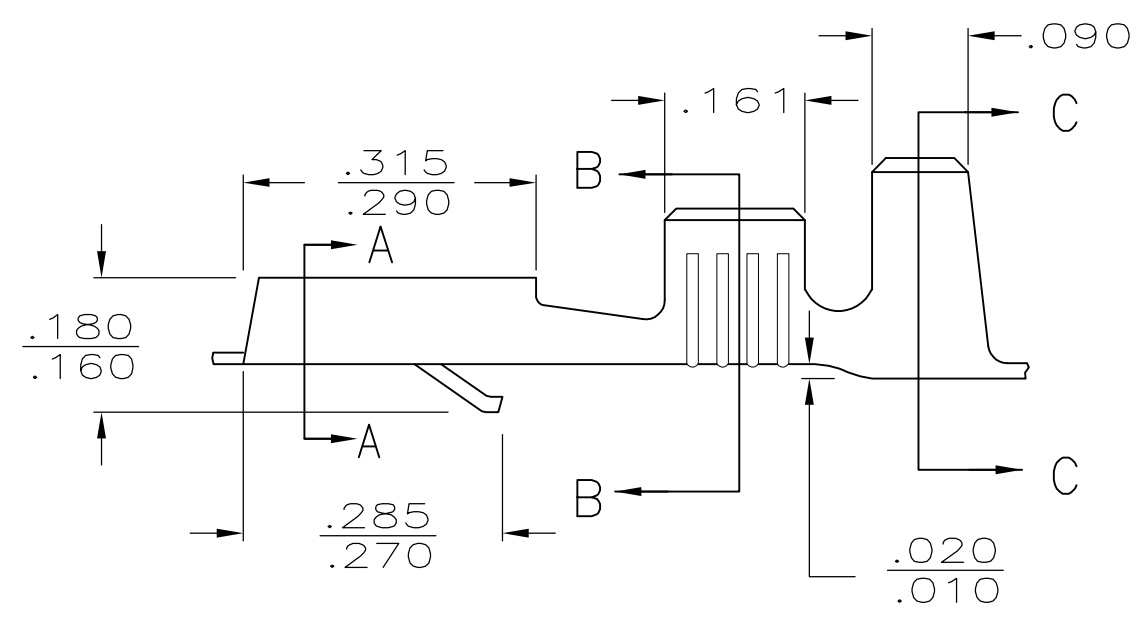
THIS DRAWING IS UNPUBLISHED. RELEASED FOR PUBLICATION
 © COPYRIGHT BY TYCO ELECTRONICS CORPORATION. ALL RIGHTS RESERVED.

LOC	DIST	REVISIONS					
AF	50	P	LTR	DESCRIPTION	DATE	DWN	APVD
			AB1	REVISED PER ECR-07-006847	24APR07	HMR	KR

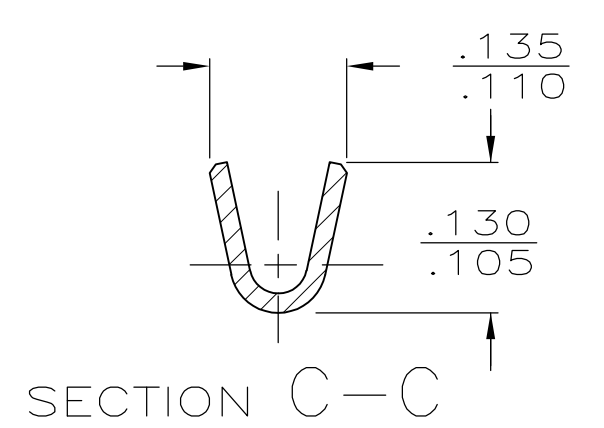


SECTION A-A

- 1 CONTINUOUS STRIP ON REELS.
- △2 REELED WITH INTERLEAVING PAPER.
- △3 PRELIMINARY - NOT FOR PRODUCTION.



SECTION B-B



SECTION C-C

TIN	.060-.100	22-18	.032 ±.001	△2 △3	60413-3
-	.060-.100	22-18	.032 ±.001		60413-2
TIN	.060-.100	22-18	.032 ±.001		60413-1
FINISH	INSULATION RANGE	WIRE SIZE	TAB THK	PART NO.	

THIS DRAWING IS A CONTROLLED DOCUMENT.		DWN JR RUTH 28APR86	Tyco Electronics Corporation Harrisburg, Pa 17105-3608		
DIMENSIONS: INCHES		CHK M FEHER 30APR86			
TOLERANCES UNLESS OTHERWISE SPECIFIED:		APVD C MEYERS 15AUG86	NAME .250 SERIES FASTON - FASTON RECEPTACLE		
0 PLC ± - 1 PLC ± - 2 PLC ± - 3 PLC ± .015 4 PLC ± - ANGLES ± -		PRODUCT SPEC -	SIZE CAGE CODE DRAWING NO RESTRICTED TO		
MATERIAL .012 BRASS		FINISH SEE ABOVE	A3 00779 C-60413		
CUSTOMER DRAWING			SCALE 5:1	SHEET 1 OF 1	REV AB1