



Chipsmall Limited consists of a professional team with an average of over 10 year of expertise in the distribution of electronic components. Based in Hongkong, we have already established firm and mutual-benefit business relationships with customers from,Europe,America and south Asia,supplying obsolete and hard-to-find components to meet their specific needs.

With the principle of “Quality Parts,Customers Priority,Honest Operation,and Considerate Service”,our business mainly focus on the distribution of electronic components. Line cards we deal with include Microchip,ALPS,ROHM,Xilinx,Pulse,ON,Everlight and Freescale. Main products comprise IC,Modules,Potentiometer,IC Socket,Relay,Connector.Our parts cover such applications as commercial,industrial, and automotives areas.

We are looking forward to setting up business relationship with you and hope to provide you with the best service and solution. Let us make a better world for our industry!



## Contact us

Tel: +86-755-8981 8866 Fax: +86-755-8427 6832

Email & Skype: info@chipsmall.com Web: www.chipsmall.com

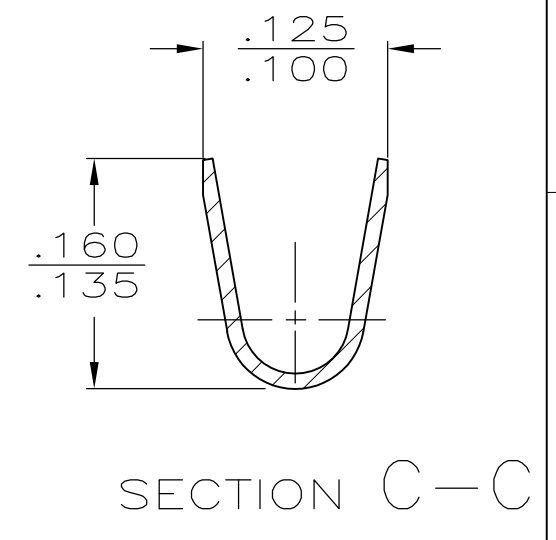
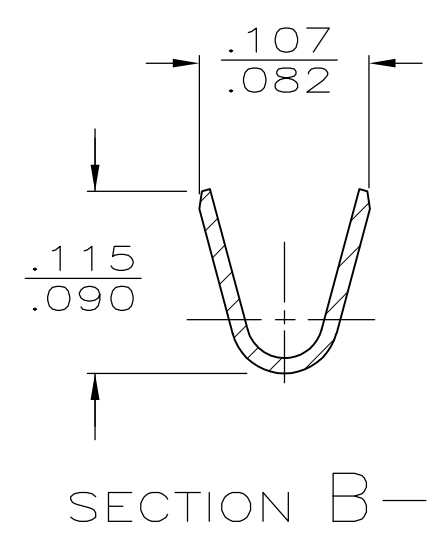
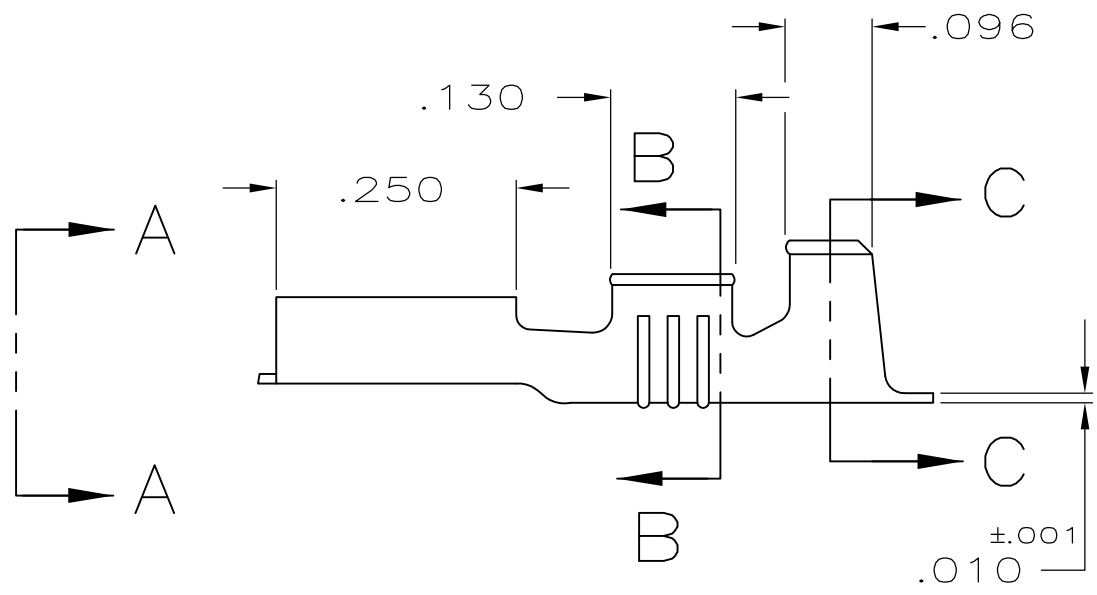
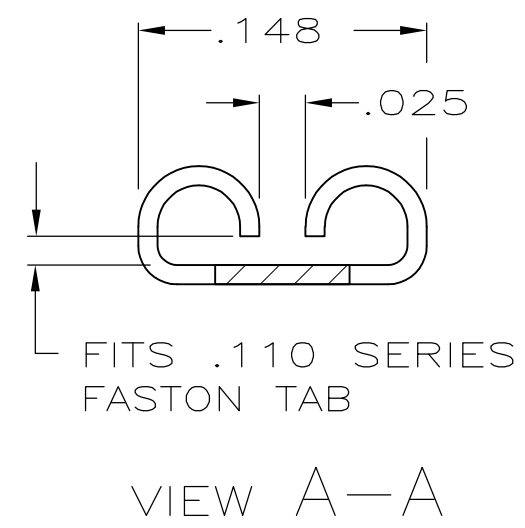
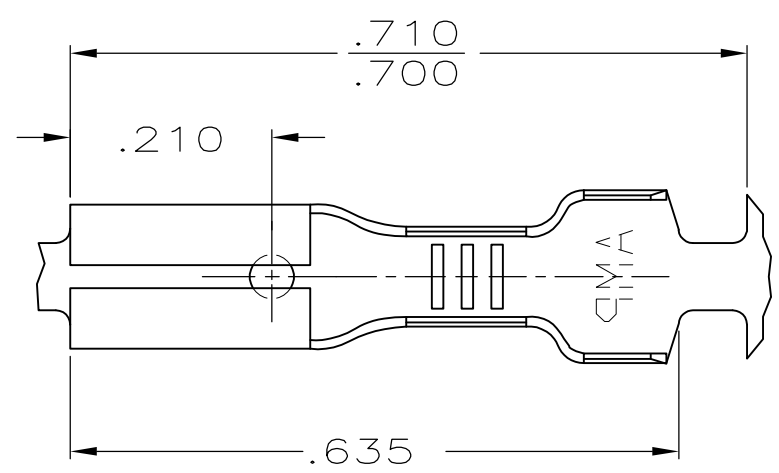
Address: A1208, Overseas Decoration Building, #122 Zhenhua RD., Futian, Shenzhen, China



THIS DRAWING IS UNPUBLISHED. RELEASED FOR PUBLICATION  
 © COPYRIGHT - By - ALL RIGHTS RESERVED.

LOC	DIST	REVISIONS			
P	LTR	DESCRIPTION	DATE	DWN	APVD
AF	50	AR	REVISED PER ECR-12-013445	18OCT12	KH PD

- 1 CONTINUOUS STRIP ON REELS.
- 2 MATING TAB THK IS  $.012 \pm .001$ .
- 3 WIRE SIZE IS #22-#18 AWG.
- 4 INSULATION RANGE IS  $.060-.100$  DIA
- 5 REELED ON PLASTIC REELS.



5	60415-2
	60415-1
	PART NUMBER

THIS DRAWING IS A CONTROLLED DOCUMENT.		DWN	JR RUTH	6/23/87	TE Connectivity <b>RECEPTACLE, FASTON™</b> <b>.110 SERIES</b>											
DIMENSIONS: INCHES		CHK	G YETTER	6/23/87												
TOLERANCES UNLESS OTHERWISE SPECIFIED:		APVD	C MEYERS	6/23/87												
<table border="0"> <tr><td>0 PLC</td><td>± -</td></tr> <tr><td>1 PLC</td><td>± -</td></tr> <tr><td>2 PLC</td><td>± -</td></tr> <tr><td>3 PLC</td><td>± .015</td></tr> <tr><td>4 PLC</td><td>± -</td></tr> <tr><td>ANGLES</td><td>± -</td></tr> </table>		0 PLC	± -	1 PLC				± -	2 PLC	± -	3 PLC	± .015	4 PLC	± -	ANGLES	± -
0 PLC	± -															
1 PLC	± -															
2 PLC	± -															
3 PLC	± .015															
4 PLC	± -															
ANGLES	± -															
MATERIAL	BRASS	FINISH	PRE-TIN	WEIGHT	-	SIZE	A3	CAGE CODE	00779	DRAWING NO	C-60415	RESTRICTED TO	-			
CUSTOMER DRAWING					SCALE	5:1	SHEET	1 OF 1	REV	AR						