



Chipsmall Limited consists of a professional team with an average of over 10 year of expertise in the distribution of electronic components. Based in Hongkong, we have already established firm and mutual-benefit business relationships with customers from,Europe,America and south Asia,supplying obsolete and hard-to-find components to meet their specific needs.

With the principle of “Quality Parts,Customers Priority,Honest Operation,and Considerate Service”,our business mainly focus on the distribution of electronic components. Line cards we deal with include Microchip,ALPS,ROHM,Xilinx,Pulse,ON,Everlight and Freescale. Main products comprise IC,Modules,Potentiometer,IC Socket,Relay,Connector.Our parts cover such applications as commercial,industrial, and automotives areas.

We are looking forward to setting up business relationship with you and hope to provide you with the best service and solution. Let us make a better world for our industry!



## Contact us

Tel: +86-755-8981 8866 Fax: +86-755-8427 6832

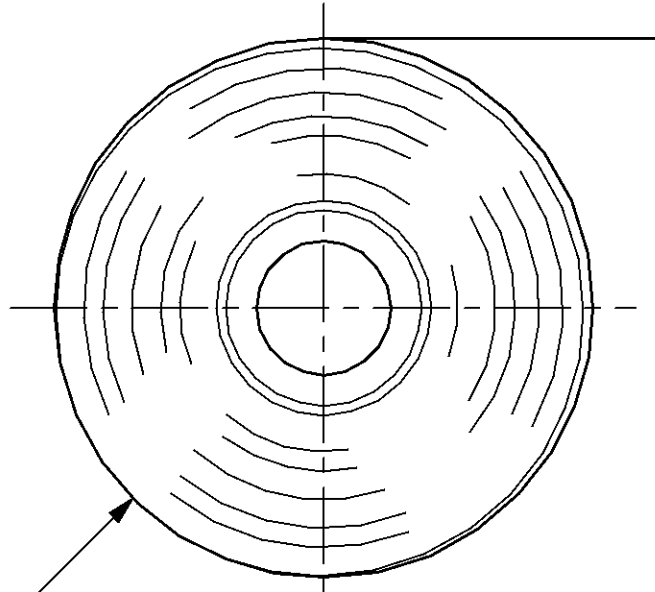
Email & Skype: info@chipsmall.com Web: www.chipsmall.com

Address: A1208, Overseas Decoration Building, #122 Zhenhua RD., Futian, Shenzhen, China



LOC	DIST	REVISIONS			
P	LTR	DESCRIPTION	DATE	DWN	APVD
FI	25				
	C	REDWN & ADD: -5; NPR C96-153 & FC 0N20-0013-96	10JUL96	GG	NJ

1. WIDTH - 3/4 INCH
2. THICKNESS - .007 INCH
3. VOLTAGE RATING - 600 VRMS
4. TEMPERATURE RATING - 80°C
5. SHIPPING WEIGHT 84.2 GRAMS / 3 oz.
6. PVC FLAME RETARDED BLACK.



Ø2.81  
REF

LENGTH	DESCRIPTION	PART NO.
20 FT.	BULK PACKED INDIVIDUAL ROLLS	604271-5
66 FT.	10 ROLLS PER SLEEVE INDIVIDUALLY WRAPPED	604271-2

THIS DRAWING IS UNPUBLISHED.

19

RELEASED FOR PUBLICATION

BY AMP INCORPORATED. ALL RIGHTS RESERVED.

DIMENSIONS: INCHES	
TOLERANCES UNLESS OTHERWISE SPECIFIED:	
0 PLC	±-
1 PLC	±-
2 PLC	±-
3 PLC	±-
4 PLC	±-
ANGLES	±-

DWN G. GARRETT	10JUL96
CHK N. JONES	15JUL96
APVD E. HRYN	19JUL96
PRODUCT SPEC	-
APPLICATION SPEC	-
WEIGHT	-

MATERIAL	FINISH
	-
AMP Incorporated Harrisburg, PA 17105-3608	
NAME TAPE, PVC ELECTRICAL BLACK	
SIZE A4	CAGE CODE 00779
DRAWING NO C-604271	
CUSTOMER DRAWING	SCALE 1:1 SHEET 1 OF 1 REV C