



Chipsmall Limited consists of a professional team with an average of over 10 year of expertise in the distribution of electronic components. Based in Hongkong, we have already established firm and mutual-benefit business relationships with customers from,Europe,America and south Asia,supplying obsolete and hard-to-find components to meet their specific needs.

With the principle of "Quality Parts,Customers Priority,Honest Operation,and Considerate Service",our business mainly focus on the distribution of electronic components. Line cards we deal with include Microchip,ALPS,ROHM,Xilinx,Pulse,ON,Everlight and Freescale. Main products comprise IC,Modules,Potentiometer,IC Socket,Relay,Connector.Our parts cover such applications as commercial,industrial, and automotives areas.

We are looking forward to setting up business relationship with you and hope to provide you with the best service and solution. Let us make a better world for our industry!



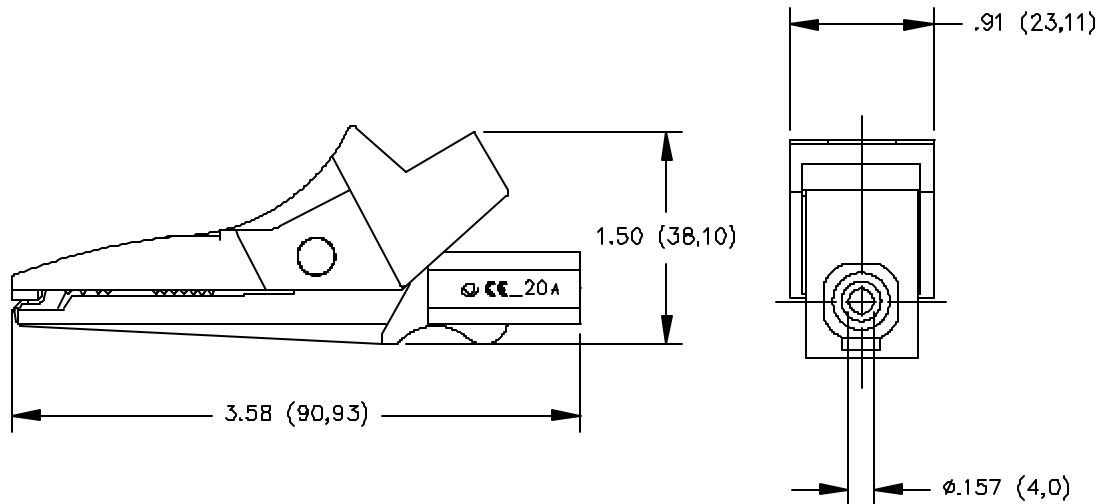
## Contact us

Tel: +86-755-8981 8866 Fax: +86-755-8427 6832

Email & Skype: info@chipsmall.com Web: www.chipsmall.com

Address: A1208, Overseas Decoration Building, #122 Zhenhua RD., Futian, Shenzhen, China





### FEATURES:

- Designed to comply with IEC1010, which is the latest international safety standard.
- Jaws open up to .8 inches (20mm).
- One end includes a 4mm safety jack, which mates to Pomona's Models 5907A, 5909A flexible test leads.
- The extra large Alligator Clip set is also included in many of Pomona's DMM Test Accessory Kits.

### MATERIALS:

Jaw: Steel, nickel plated

Insulation: Polyamide

### RATINGS:

IEC 1010, Category III, P2 Compliant

Operating Voltage: 1000V

Current: 20 Amperes Max.

**ORDERING INFORMATION:** Model 6041B (Includes a set of one black and one red)

Model 6042B-\* (To order individual clip)

\* = Color code, standard colors, -0 Black, -2 Red

All dimensions are in inches. Tolerances (except noted): .xx =  $\pm .02$ " (.51 mm), .xxx =  $\pm .005$ " (.127 mm).

All specifications are to the latest revisions. Specifications are subject to change without notice.

Registered trademarks are the property of their respective companies. Made in USA

Sales: 800-490-2361 Fax: 888-403-3360  
Technical Assistance: 800-241-2060

PomonaACCESS 90406 (800) 444-6785 or (425) 446-6010  
More drawings available at [www.pomonaelectronics.com](http://www.pomonaelectronics.com)