



Chipsmall Limited consists of a professional team with an average of over 10 year of expertise in the distribution of electronic components. Based in Hongkong, we have already established firm and mutual-benefit business relationships with customers from,Europe,America and south Asia,supplying obsolete and hard-to-find components to meet their specific needs.

With the principle of “Quality Parts,Customers Priority,Honest Operation,and Considerate Service”,our business mainly focus on the distribution of electronic components. Line cards we deal with include Microchip,ALPS,ROHM,Xilinx,Pulse,ON,Everlight and Freescale. Main products comprise IC,Modules,Potentiometer,IC Socket,Relay,Connector.Our parts cover such applications as commercial,industrial, and automotives areas.

We are looking forward to setting up business relationship with you and hope to provide you with the best service and solution. Let us make a better world for our industry!



Contact us

Tel: +86-755-8981 8866 Fax: +86-755-8427 6832

Email & Skype: info@chipsmall.com Web: www.chipsmall.com

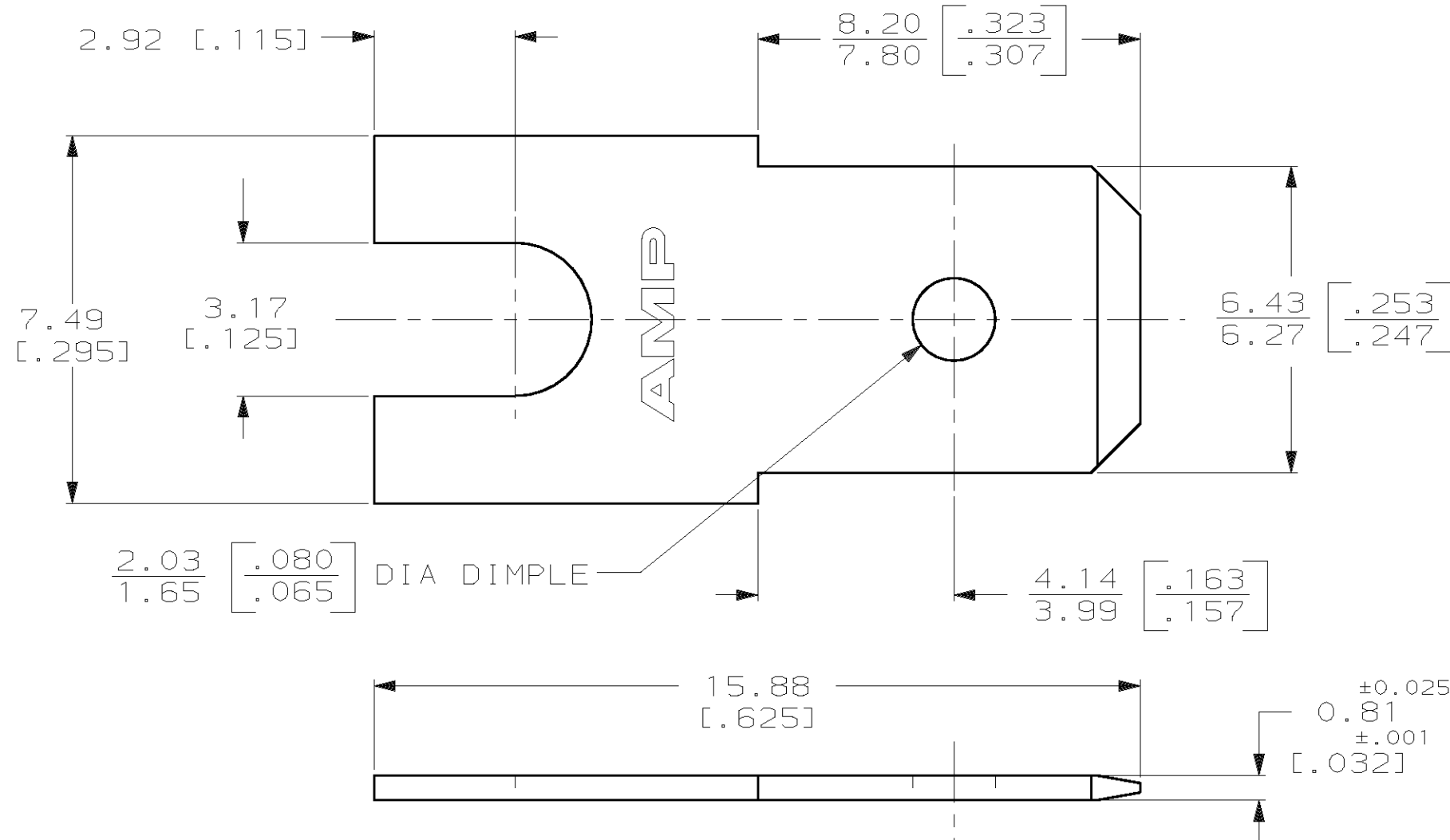
Address: A1208, Overseas Decoration Building, #122 Zhenhua RD., Futian, Shenzhen, China



THIS DRAWING IS UNPUBLISHED. RELEASED FOR PUBLICATION, 19
 © COPYRIGHT 19 BY AMP INCORPORATED. ALL INTERNATIONAL RIGHTS RESERVED.

LOC	DIST	P	F	ZONE	LTR	DESCRIPTION	DATE	APPD
AF	50				G	REV PER 0L10-0205-97	5/14/97	JR

1 SUPPLIED IN LOOSE PIECE



METRIC

DO NOT SCALE PRINT.
 UNLESS SPECIFIED
 DIMENSIONS IN mm [INCHES]
 TOLERANCES ON:
 2 PLC DEC ± 0.25 [.010]
 3 PLC DEC ± -
 ANGLES ± -

MATERIAL
 SEE TABLE

FINISH
 -

DR 12/19/91
 JR RUTH
 CHK 12/19/91
 MS FEHER
 APPD 12/19/91
 C MEYERS
 APPD 12/19/91
 D REINER
 PRODUCT SPEC
 -
 APPLICATION SPEC
 -
 WEIGHT -

T3 STEEL	60447-2
082 BRASS	60447-1
MATERIAL	PART NO
AMP AMP Incorporated Harrisburg, PA 17105-3608	
NAME TAB, FASTON, 6.35 [.250] SERIES	
SIZE B	CAGE CODE 00779
DRAWING NO 60447	
SCALE 8:1	SHEET 1 OF 1