



Chipsmall Limited consists of a professional team with an average of over 10 year of expertise in the distribution of electronic components. Based in Hongkong, we have already established firm and mutual-benefit business relationships with customers from,Europe,America and south Asia,supplying obsolete and hard-to-find components to meet their specific needs.

With the principle of “Quality Parts,Customers Priority,Honest Operation,and Considerate Service”,our business mainly focus on the distribution of electronic components. Line cards we deal with include Microchip,ALPS,ROHM,Xilinx,Pulse,ON,Everlight and Freescale. Main products comprise IC,Modules,Potentiometer,IC Socket,Relay,Connector.Our parts cover such applications as commercial,industrial, and automotives areas.

We are looking forward to setting up business relationship with you and hope to provide you with the best service and solution. Let us make a better world for our industry!



Contact us

Tel: +86-755-8981 8866 Fax: +86-755-8427 6832

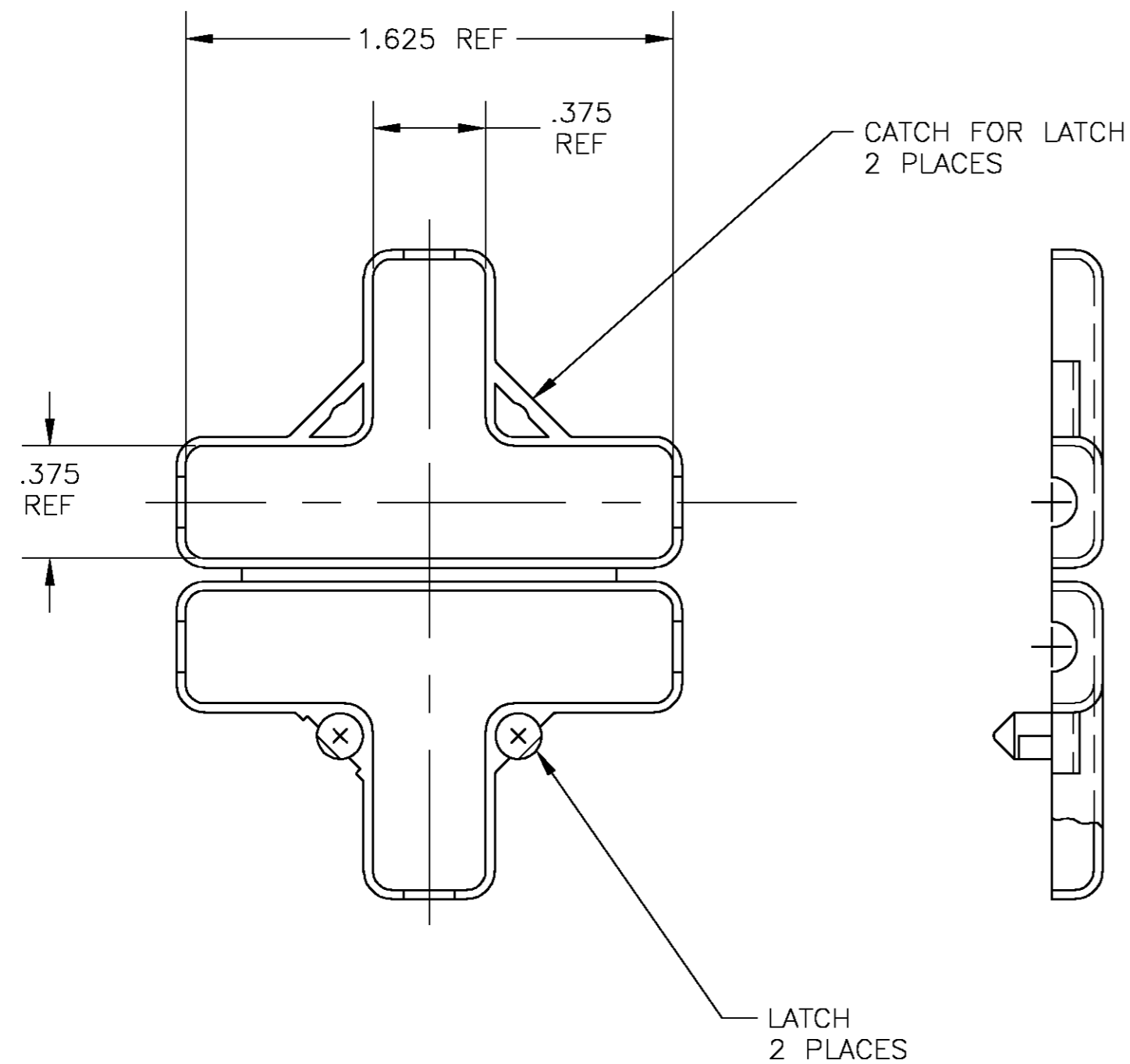
Email & Skype: info@chipsmall.com Web: www.chipsmall.com

Address: A1208, Overseas Decoration Building, #122 Zhenhua RD., Futian, Shenzhen, China

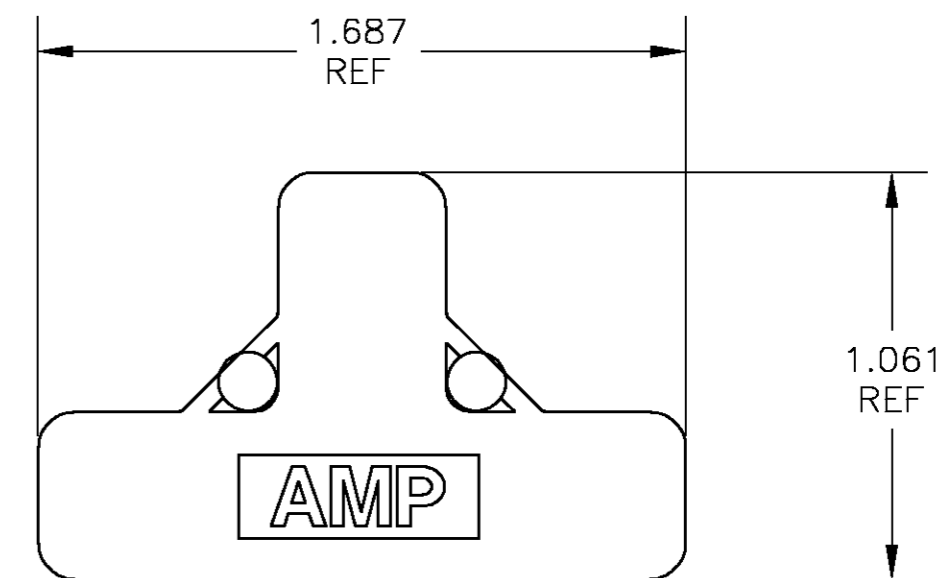


THIS DRAWING IS UNPUBLISHED. RELEASED FOR PUBLICATION
 © COPYRIGHT BY TYCO ELECTRONICS CORPORATION. ALL RIGHTS RESERVED.

LOC	DIST	REVISIONS					
		P	LTR	DESCRIPTION	DATE	DWN	APVD
G	86	0		DRAWN	-	-	-



OPENED CONFIGURATION



CLOSED CONFIGURATION

YES	LAWSON LOGO	604596-6
-	KARR LOGO	604596-5
YES	LAWSON LOGO	604596-4
-	AMP LOGO	604596-3
-	LAWSON LOGO	604596-1
SPECIAL PACKAGING	LOGO TYPE	PART NO.

THIS DRAWING IS A CONTROLLED DOCUMENT.		DWN jr ruth 30SEP04	Tyco Electronics Corporation Harrisburg, Pa 17105-3608	
DIMENSIONS: INCHES		CHK T MICHIELUTTI 30SEP04	NAME TAP COVER, 16-14	
TOLERANCES UNLESS OTHERWISE SPECIFIED: 0 PLC ± - 1 PLC ± - 2 PLC ± - 3 PLC ± .008 4 PLC ± - ANGLES ± 5°		APVD T MICHIELUTTI 30SEP04	PRODUCT SPEC -	
MATERIAL TYPE 6 NYLON		FINISH COLOR - BLUE	WEIGHT -	RESTRICTED TO -
CUSTOMER DRAWING		SCALE 2:1	SIZE A2	CAGE CODE 00779
		DRAWING NO. G=604596	REV 0	