



Chipsmall Limited consists of a professional team with an average of over 10 year of expertise in the distribution of electronic components. Based in Hongkong, we have already established firm and mutual-benefit business relationships with customers from,Europe,America and south Asia,supplying obsolete and hard-to-find components to meet their specific needs.

With the principle of “Quality Parts,Customers Priority,Honest Operation,and Considerate Service”,our business mainly focus on the distribution of electronic components. Line cards we deal with include Microchip,ALPS,ROHM,Xilinx,Pulse,ON,Everlight and Freescale. Main products comprise IC,Modules,Potentiometer,IC Socket,Relay,Connector.Our parts cover such applications as commercial,industrial, and automotives areas.

We are looking forward to setting up business relationship with you and hope to provide you with the best service and solution. Let us make a better world for our industry!



Contact us

Tel: +86-755-8981 8866 Fax: +86-755-8427 6832

Email & Skype: info@chipsmall.com Web: www.chipsmall.com

Address: A1208, Overseas Decoration Building, #122 Zhenhua RD., Futian, Shenzhen, China



Chargebuster® Overhead Ionizer Installation, Operation and Maintenance



Made in the
United States of America

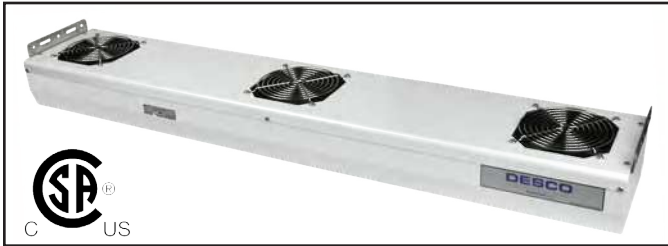


Figure 1. Desco [60473](#) Chargebuster® Overhead Ionizer



Figure 2. Desco [60640](#) Chargebuster® Overhead Ionizer

Description

The Desco Chargebuster® Overhead Ionizers are steady state DC ionizers designed to cover 2 foot by 5 foot ([60473](#)) or 2 foot by 4 foot ([60640](#)) for use in ESD sensitive work. The specially designed 3-speed fan modules create better coverage, consistent offset voltage (± 10 Volts) and superior discharge times (< 3 seconds) tested per ANSI/ESD STM 3.1. The Chargebuster® Overhead Ionizer is equipped with an Auto-Feedback system that continuously optimizes the performance and will automatically shut down and alarm should the supply voltage drop.

“Necessary non-conductors in the environment cannot lose their electrostatic charge by attachment to ground. Ionization systems provide neutralization of charges on these necessary non-conductive items (circuit board materials and some device packages are examples of necessary non-conductors). Assessment of the ESD hazard created by electrostatic charges on the necessary nonconductors in the work place is required to ensure that appropriate actions are implemented, commensurate with risk to ESDS [ESD sensitive] items”. (ANSI/ESD S20.20-2007 Foreword)

“In order to mitigate field-induced CDM [Charged Device Model] damage, the ESD program shall include a plan for the handling of process-required insulators. If the field exceeds 2,000 volts/inch, steps shall be taken to either: A) Separate the insulator from the ESD-sensitive device by a distance of 30 cm (12 inches); or B) Use ionization or other charge mitigating techniques to neutralize the charge.” (ANSI/ESD S20.20-2007 section 8.3)

“The primary method of static charge control is direct connection to ground for conductors, static dissipative materials, and personnel. A complete static control program must also deal with isolated conductors that cannot be grounded, insulating materials (e.g., most common plastics), and moving personnel who cannot use wrist or heel straps or ESD control flooring and footwear.

Air ionization is not a replacement for grounding methods. It is one component of a complete static control program. Ionizers are used when it is not possible to properly ground everything and as backup to other static control methods. In clean rooms, air ionization may be one of the few methods of static control available.” (ESD Handbook ESD TR20.20 Ionization, section 5.3.6.1)

“All ionization devices will require periodic maintenance for proper operation. Maintenance intervals for ionizers vary widely depending on the type of ionization equipment and use environment. Critical clean room uses will generally require more frequent attention. It is important to set-up a routine schedule for ionizer service. Routine service is typically required to meet quality audit requirements.” (ESD Handbook ESD TR20.20 section 5.3.6.7 Maintenance / Cleaning)

Packaging

- 1 Chargebuster® Overhead Ionizer
- 1 Hanging Kit
- 1 Power Cord, North American Plug
- 3 Emitter Point Cleaners (60473)
- 2 Emitter Point Cleaners (60640)
- 1 Certificate of Calibration

Installation

Place the unit at a desired location where that the airflow will not be restricted. Be sure that the ON/OFF switch located on the rear of the unit is in the OFF position. Plug the power cord into the unit and then into the appropriate AC power source.

Operation

1. Set the fan speed switch to the LOW, MED, or HI position. Higher airflow will result in faster neutralization rates.
2. Position the ionizer so that maximum airflow is directed towards the items or area to be neutralized.
3. Turn the unit ON. When the unit is first turned on, it conducts a self-test. The audible alarm will sound and the LED will cycle through the colors red, yellow and green. The LED will remain green during normal operation.

Maintenance

“All ionization devices will require periodic maintenance for proper operation. Maintenance intervals for ionizers vary widely depending on the type of ionization equipment and use environment. Critical clean room uses will generally require more frequent attention. It is important to set-up a routine schedule for ionizer service. Routine service is typically required to meet quality audit requirements.” (ESD Handbook TR20.20 section 5.3.6.7 Maintenance / Cleaning)

EIA-625, recommends checking ionizers every 6 months, but this may not be suitable for many programs particularly since an out-of-balance may exist for months before it is checked again. ANSI/ESD S20.20 section 6.1.3.1 Compliance Verification Plan Requirement states: “Test equipment shall be selected to make measurements of appropriate properties of the technical requirements that are incorporated into the ESD program plan.”

CLEANING THE EMITTER POINTS

Under normal conditions, the ionizer will attract dirt and dust (especially on the emitter points). To maintain optimum neutralization efficiency and operation, cleaning should be performed on a regular basis.

In the event of circuit failure, the unit will enter shutdown mode.

When the unit enters shutdown mode, ionization will be stopped, the LED on the front of the unit will illuminate a constant red, and the audible alarm will continuously sound. The user must then reset the unit by turning it OFF and back ON.

The emitter points should be cleaned using the included Emitter Point Cleaners or a swab dampened with Isopropyl alcohol.

1. Turn the unit OFF and unplug the power cord.
2. Open the top screen by loosening the screw and swinging the grill to one side.
3. Clean the emitter points using the included Emitter Point Cleaners or a swab dampened with Isopropyl alcohol.
4. Reattach the top screen.
5. Plug in the power cord and turn the unit ON.
6. Verify the performance of the ionizer by using a charged plate monitor, or ionization test kit.



With normal handling, the emitter points should not require replacement during the life of the unit. If necessary, item [60507](#) Replacement Emitter Points are available for purchase.

Adjustments and Compliance Verification

BALANCE OFFSET VOLTAGE ADJUSTMENT

The Chargebuster® Overhead Ionizer is an auto-balancing unit. However, tuning or manual adjustment can be accomplished by inserting a small screwdriver or trimmer adjustment tool into the balance adjustment hole. To increase the output in a positive direction, turn the potentiometer clockwise. To increase the output in a negative direction, turn the potentiometer counter-clockwise.

MAINTENANCE / ALARMS

WARNING - RISK OF ELECTRIC SHOCK

THESE SERVICING INSTRUCTIONS ARE FOR USE BY QUALIFIED PERSONNEL ONLY. DO NOT PERFORM ANY SERVICING OF INTERNAL PARTS UNLESS YOU ARE QUALIFIED TO DO SO.

NOTE: The AC power cord MUST always be disconnected before the unit is disassembled.

The input voltage may be verified or reset by opening the ionizer's enclosure. This can be accomplished by removing the 10 screws that secure the cover to the base.

The input voltage can be selected using the two internal jumpers shown in Figures 2 and 3.

If the supply voltage drops from 110 Volts to below 85 Volts or from 200 Volts to below 170 Volts, the unit will shut down, the audible alarm will beep and the LED will blink red. The unit will automatically reset when the minimum voltage is restored.

Auto-balancing closed-loop feedback technology can save money and extend the maintenance interval of the ionizer. What the sensor detects is that the offset voltage (balance) has shifted and the circuits will attempt to compensate. In the case of corona ionizers, one of the reasons for a shift in offset voltage is frequently the particle buildup, commonly called a “fuzz ball”, observed on the emitter points.

Compliance Verification should be per ESD TR53. Offset voltage (balance) and both polarity's discharge time should be checked on every ionizer periodically using an Ionization Test Kit or a Charged Plate Analyzer. Measure offset voltage (balance) and both polarity's discharge times. Clean the emitter points (with electrical power off), adjust offset voltage (balance) to zero and then re-test for offset voltage (balance) and discharge times recording the measurements.



Figure 3. 110V jumper setting

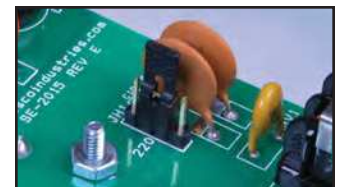


Figure 4. 220V jumper setting

Calibration

When an alarm sounds, most users will clean emitter pins (see Maintenance / Alarms section) and calibrate the ionizer. Per ESD TR 53 section 5.3.6.7.1 "The best practice is to measure the offset voltage and discharge times, clean the unit, including emitter points and air filters if present, offset voltage to zero (if adjustable), and then repeat offset voltage and discharge time testing. If the unit does not meet offset voltage specifications or minimum established discharge time limits, further service is indicated. Manufacturers should provide details on service procedures and typical service intervals."

Most companies will assign a number or otherwise identify each ionizer and setup a compliance Verification / Maintenance / Calibration schedule. If the ionizers all test good, the data can justify lengthening the calibration period. If ionizers require adjustment the calibration period should be shortened. Although ESD TR53 does not advise a test frequency, JESDD625-A (Revision of EIA-625) recommends ionizers be tested semiannually, noting to use "S3.1 except the number of measurement points and locations may be selected based on the application."

NOTE: A charged plate analyzer or monitor should be used in order to properly calibrate the Chargebuster® Overhead Ionizer. The EMIT [50555](#) Charged Plate Analyzer can be used to calibrate the Chargebuster® Overhead Ionizer.

1. Properly setup the ionizer as described in the Installation procedure on page 1.
2. Turn the unit ON and set the FAN SPEED to HIGH.
3. Position the charged plate analyzer 18 inches underneath one of the fans of the ionizer.



Figure 5. Calibration controls

4. Push and hold the ALARM RESET button on the ionizer until the STATUS LED turns red. Release the button and the LED should switch back to green. This allows the user to calibrate the balance (offset voltage) of the ionizer without setting off the alarm.
5. The balance (offset voltage) of each fan should be within 0 and ± 15 volts. The required limit per ANSI/ESD S20.20 is less than ± 50 volts. To increase the output in a positive direction, turn the BALANCE ADJUST potentiometer in a clockwise direction. To increase the output in a negative direction, turn the BALANCE ADJUST potentiometer in a counter-clockwise direction.
6. Test the neutralization (discharge) time by applying a $\pm 1,000$ volt on the charged plate. The neutralization (discharge) time should be less than 3 seconds when charged plate analyzer is directly under a fan. See the "Neutralization (Discharge) Times" section for typical discharge times. The required limit per ANSI/ESD S20.20 is "user defined".
7. Submit the balance (offset voltage) to the ionizer's control circuit by quickly pressing the ALARM RESET button. The STATUS LED should turn off and then illuminate green to verify that the control circuit was successfully programmed.
8. Test each fan's alarm by shorting its two grills located on the bottom side of the ionizer. The alarm should sound and the STATUS LED should illuminate red.



Figure 6. Shorting the ionizer's two fan grills

Neutralization (Discharge) Times

All data was taken with the fan speed set to high. All time measurements are in seconds. The distance between the overhead ionizer and charged plate is 18" per ANSI/ESD STM 3.1.

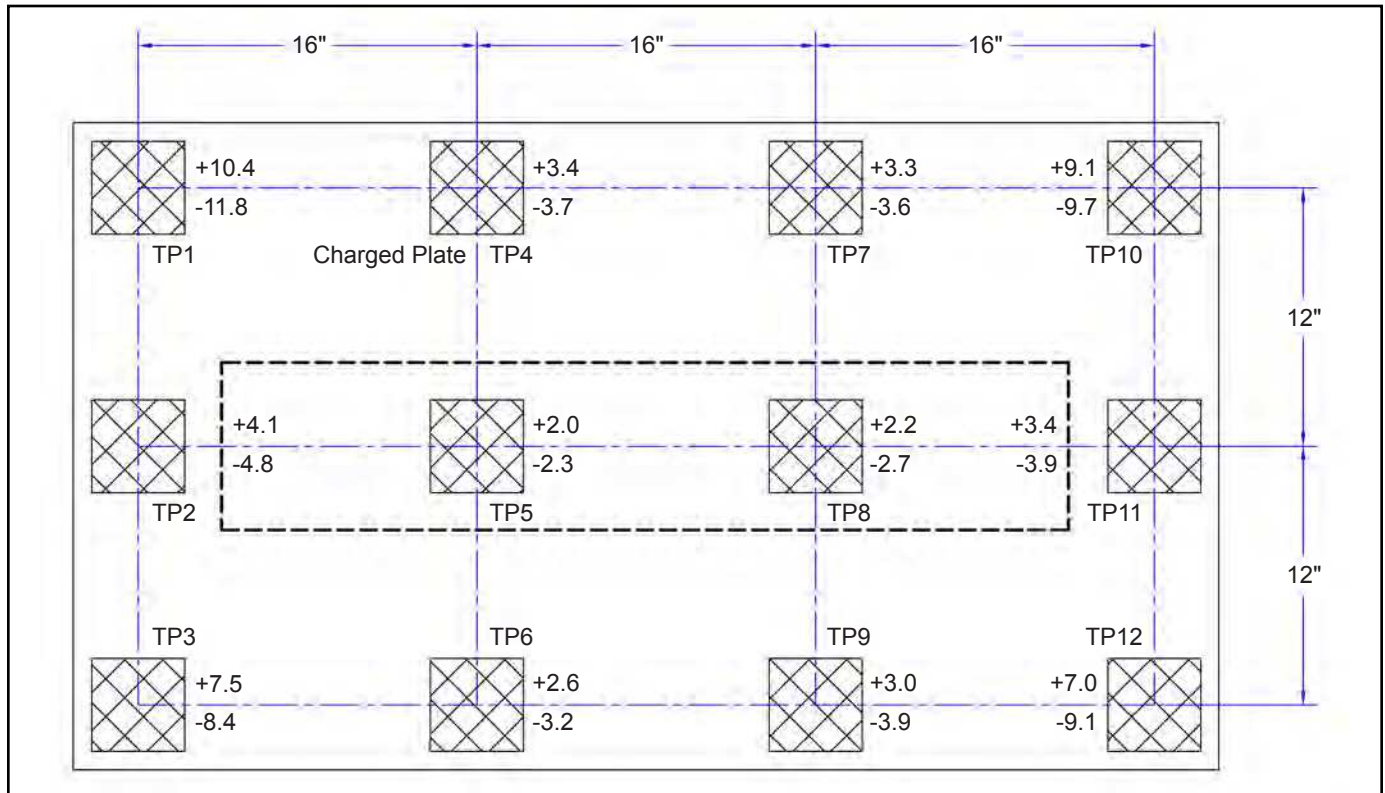


Figure 7. [60473](#) Neutralization (Discharge) Times at 100VAC, 50Hz input



Figure 8. [60473](#) Neutralization (Discharge) Times at 120VAC, 60Hz input

DESCO WEST - 3651 Walnut Avenue, Chino, CA 91710 • (909) 627-8178
 DESCO EAST - One Colgate Way, Canton, MA 02021-1407 • (781) 821-8370 • Website: Desco.com

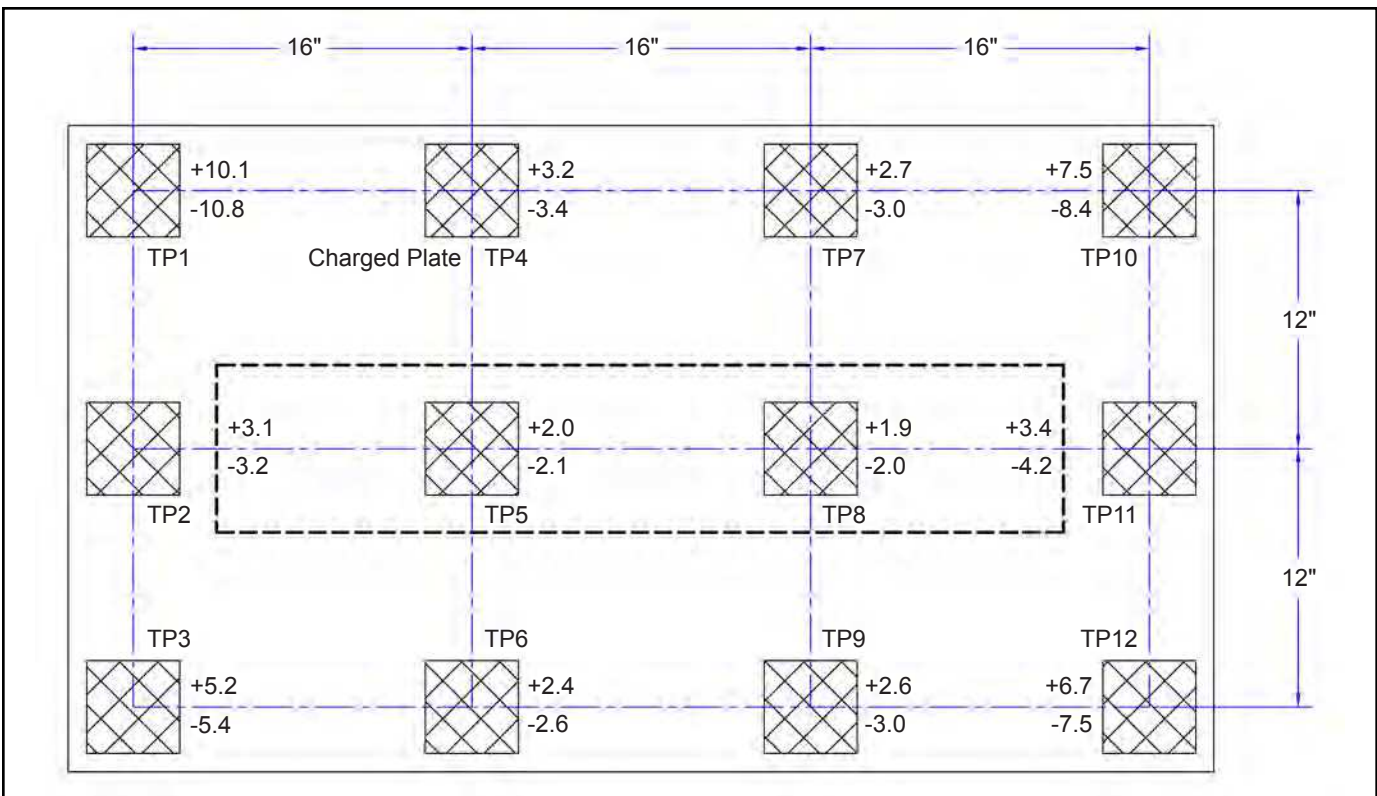


Figure 9. [60473](#) Neutralization (Discharge) Times at 220VAC, 50Hz input

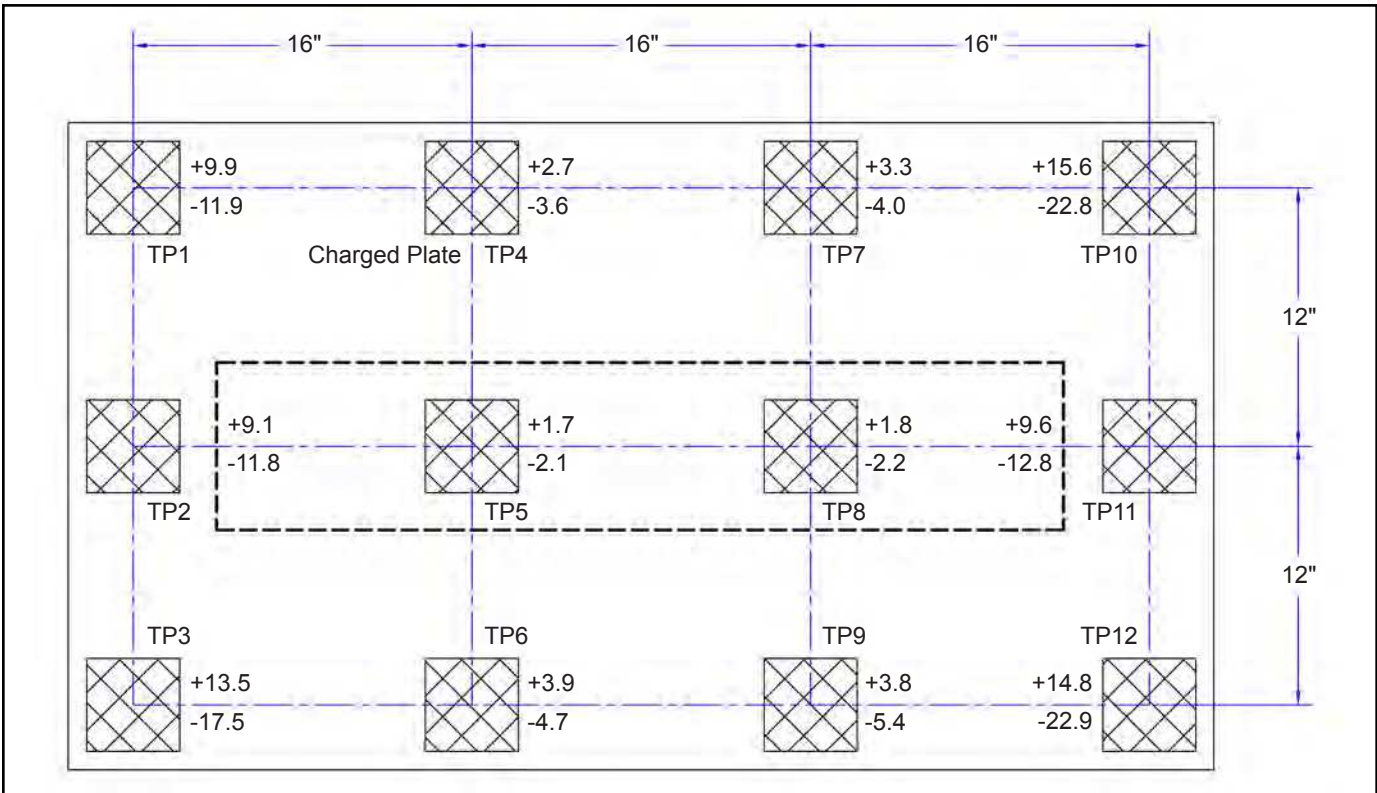


Figure 10. [60640](#) Neutralization (Discharge) Times at 100VAC, 50Hz input

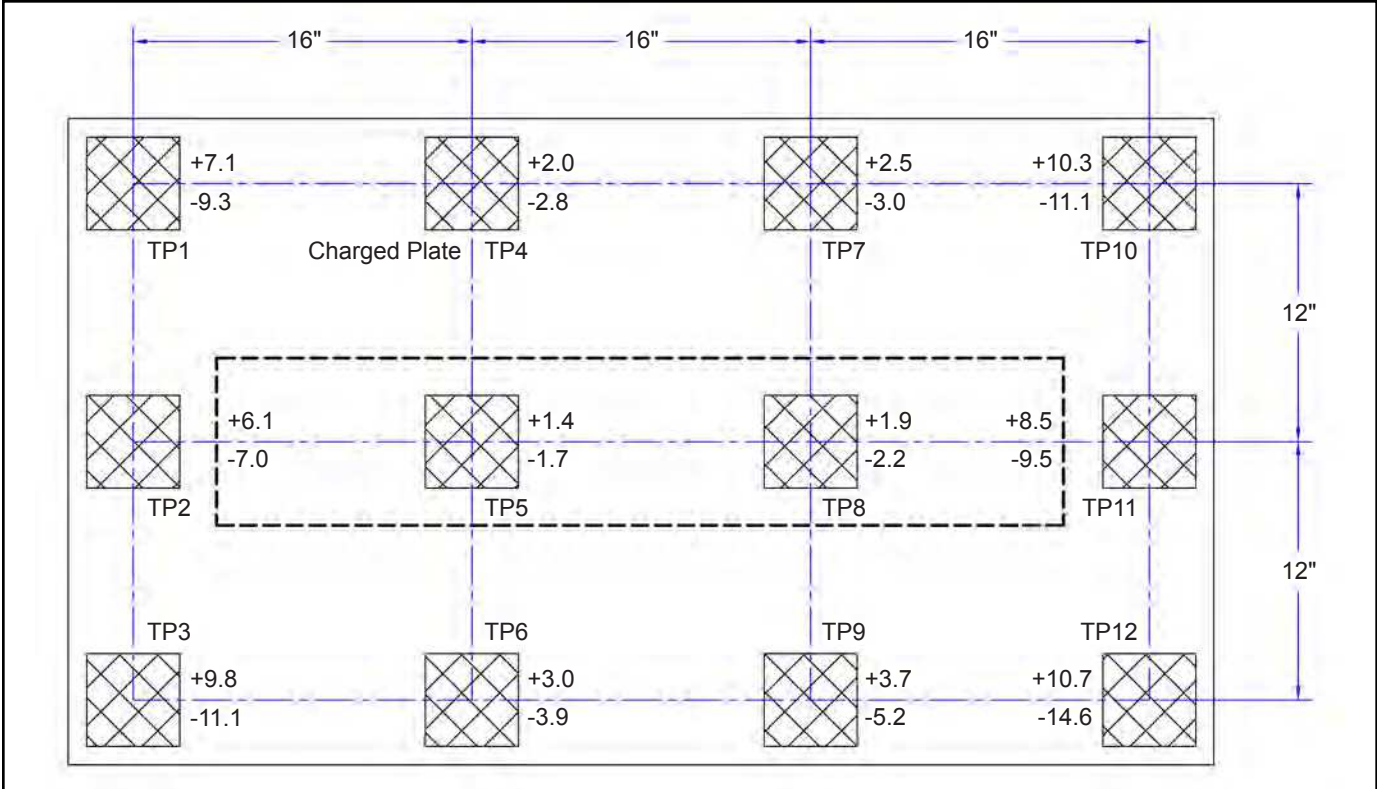


Figure 11. [60640](#) Neutralization (Discharge) Times at 120VAC, 60Hz input

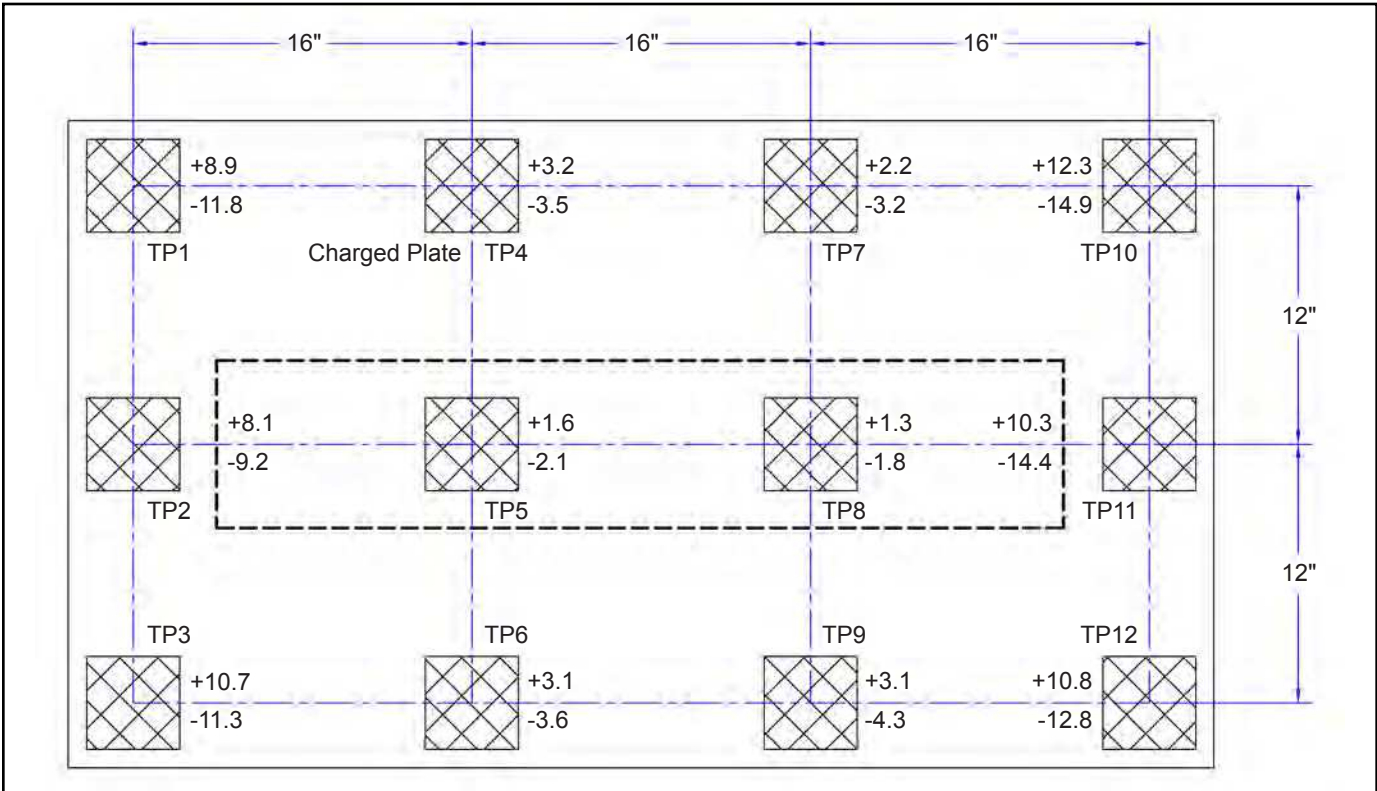


Figure 12. [60640](#) Neutralization (Discharge) Times at 220VAC, 50Hz input

Specifications

The comparative efficiency of overhead ionizers is determined by a standard test published by the ESD Association: ANSI/ESD STM 3.1. Typical positive and negative discharge times (1000V - 100V) measured using this standard are shown in the "Neutralization (Discharge) Times" section. The performance of the ionizer was measured with the unit positioned as shown, with the fan speed on high and without a filter.

Air Flow

[60473](#) - Three speed fan (150 cfm - 300 cfm)

[60640](#) - Three speed fan (100 cfm - 200 cfm)

Balance (offset voltage)

±10 Volts Typical

±20 Volts Maximum

(Temperature Range: 65°F - 80°F, RH: 15% - 65%)

Chassis

Powder coated steel

Dimensions

[60473](#) - 3.9" H x 6.6" W x 37.3" L

(9.9cm H x 16.8cm W x 94.7 cm L)

[60640](#) - 3.9" H x 6.6" W x 22.3" L

(9.9cm H x 16.8cm W x 56.6 cm L)

Emitter Points

.050" diameter

Made of pure tungsten for improved mechanical strength and ionization stability.

Fuse

400mA slow blow

High Voltage Power Supply

5.5kV DC nominal

Input Power

AC line power

Internally selectable for 100/120 VAC - 50/60Hz or

220/230 VAC - 50/60Hz

Ion Emission

Steady-state DC with sense feedback

Mounting

May be rigid-mounted or suspended from ceiling

Ozone

< 0.05 ppm

Weight

[60473](#) - 10 lbs (4.5 kg)

[60640](#) - 7 lbs (3.2 kg)

Limited Warranty

Desco expressly warrants that for a period of one (1) year from the date of purchase Desco Overhead Ionizers will be free of defects in material (parts) and workmanship (labor). Within the warranty period, a credit for purchase of replacement Desco Overhead Ionizer, or, at Desco's option, the Overhead Ionizer will be repaired or replaced free of charge. If product credit is issued, the amount will be calculated by multiplying the unused portion of the expected one year life times the original unit purchase price. Call our Customer Service Department at 909-627-8178 (Chino, CA) or 781-821-8370 (Canton, MA) for a Return Material Authorization (RMA) and proper shipping instructions and address. Please include a copy of your original packing slip, invoice, or other proof of date of purchase. Any unit under warranty should be shipped prepaid to the Desco factory. Warranty replacements will take approximately two weeks.

If your unit is out of warranty, call our Customer Service Department at 909-627-8178 (Chino, CA) or 781-821-8370 (Canton, MA) for a Return Material Authorization (RMA) and proper shipping instructions and address. Desco will quote repair charges necessary to bring your unit up to factory standards.

Warranty Exclusions

THE FOREGOING EXPRESS WARRANTY IS MADE IN LIEU OF ALL OTHER PRODUCT WARRANTIES, EXPRESSED AND IMPLIED, INCLUDING MERCHANTABILITY AND FITNESS FOR A PARTICULAR PURPOSE WHICH ARE SPECIFICALLY DISCLAIMED. The express warranty will not apply to defects or damage due to accidents, neglect, misuse, alterations, operator error, or failure to properly maintain, clean or repair products.

Limit of Liability

In no event will Desco or any seller be responsible or liable for any injury, loss or damage, direct or consequential, arising out of the use of or the inability to use the product. Before using, users shall determine the suitability of the product for their intended use, and users assume all risk and liability whatsoever in connection therewith.