



Chipsmall Limited consists of a professional team with an average of over 10 year of expertise in the distribution of electronic components. Based in Hongkong, we have already established firm and mutual-benefit business relationships with customers from,Europe,America and south Asia,supplying obsolete and hard-to-find components to meet their specific needs.

With the principle of "Quality Parts,Customers Priority,Honest Operation,and Considerate Service",our business mainly focus on the distribution of electronic components. Line cards we deal with include Microchip,ALPS,ROHM,Xilinx,Pulse,ON,Everlight and Freescale. Main products comprise IC,Modules,Potentiometer,IC Socket,Relay,Connector.Our parts cover such applications as commercial,industrial, and automotives areas.

We are looking forward to setting up business relationship with you and hope to provide you with the best service and solution. Let us make a better world for our industry!



Contact us

Tel: +86-755-8981 8866 Fax: +86-755-8427 6832

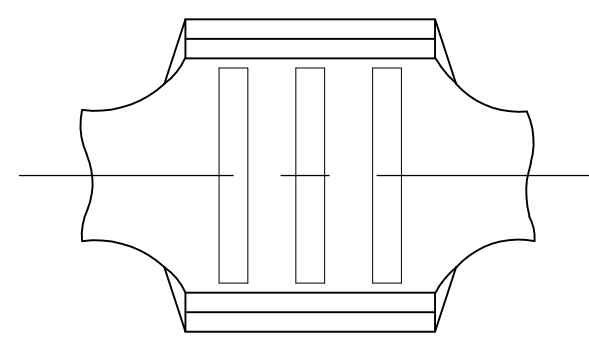
Email & Skype: info@chipsmall.com Web: www.chipsmall.com

Address: A1208, Overseas Decoration Building, #122 Zhenhua RD., Futian, Shenzhen, China

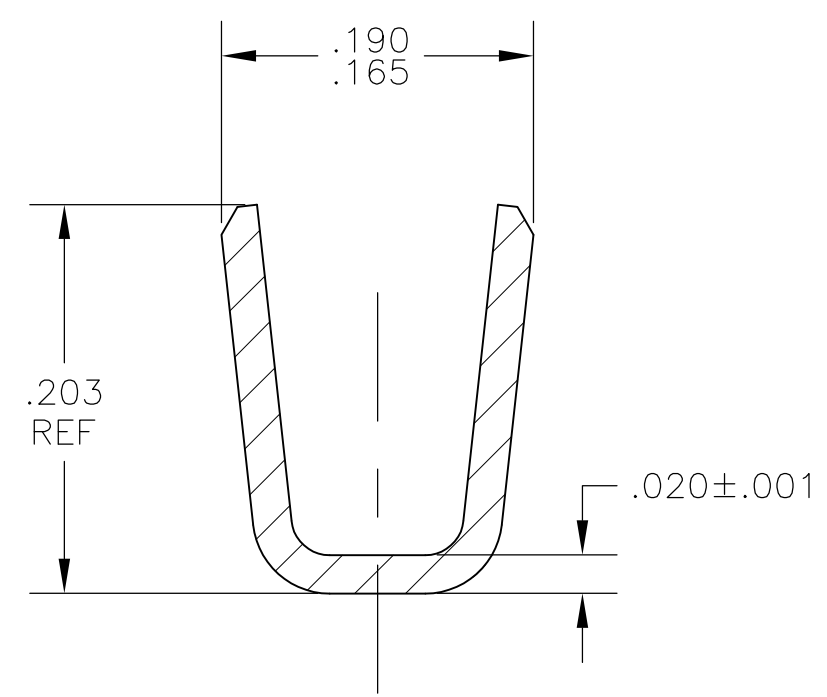
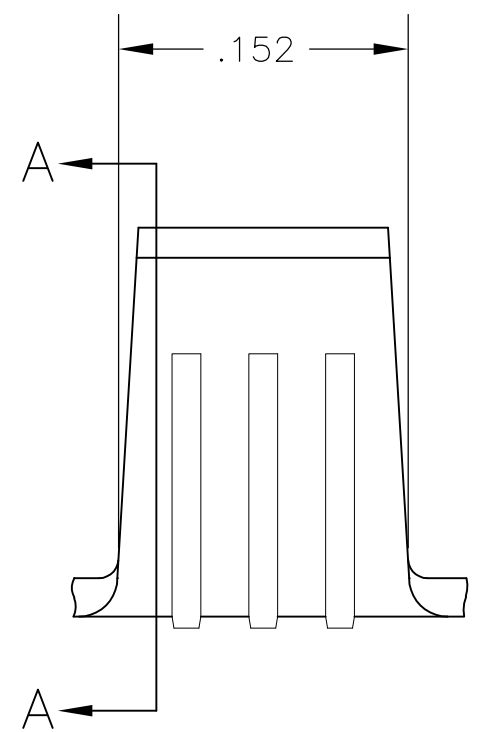


THIS DRAWING IS UNPUBLISHED. RELEASED FOR PUBLICATION
 © COPYRIGHT BY TYCO ELECTRONICS CORPORATION. ALL RIGHTS RESERVED.

LOC	DIST	REVISIONS			
P	LTR	DESCRIPTION	DATE	DWN	APVD
	E1	ECR-07-018635(REDRAWN IN AUTOCAD)	03JUL07	HMR	GP



- 1 CONTINUOUS STRIP ON REELS.
- 2 WIRE RANGE: 3300 TO 9000 CMA
- 3 CRIMP WIDTH: .140, "F" TYPE
 CRIMP HEIGHT $(\pm.002) = (\text{TOTAL CMA} + 14,600) / 223,200$
 FOR APPLICATOR INFORMATION CALL: 1-800-722-1111
 FOR PRODUCT INFORMATION CALL: 1-800-522-6752



SECTION A-A

60470-1
PART NO

THIS DRAWING IS A CONTROLLED DOCUMENT.		DWN RAGHAVENDRA 03JUL07	Tyco Electronics Corporation Harrisburg, PA 17105-3608		
DIMENSIONS: INCHES	TOLERANCES UNLESS OTHERWISE SPECIFIED:	CHK G.D.PORTA 03JUL07	NAME		
	0 PLC ± -	APVD G.D.PORTA 03JUL07	PRODUCT SPEC		
	1 PLC ± -		APPLICATION SPEC		
MATERIAL STAINLESS STEEL	FINISH BLACKEN	WEIGHT -	SIZE A3	CAGE CODE 00779	DRAWING NO G-60470
CUSTOMER DRAWING			RESTRICTED TO -	SCALE 10:1	SHEET 1 OF 1
			REV E1		