



Chipsmall Limited consists of a professional team with an average of over 10 year of expertise in the distribution of electronic components. Based in Hongkong, we have already established firm and mutual-benefit business relationships with customers from,Europe,America and south Asia,supplying obsolete and hard-to-find components to meet their specific needs.

With the principle of “Quality Parts,Customers Priority,Honest Operation,and Considerate Service”,our business mainly focus on the distribution of electronic components. Line cards we deal with include Microchip,ALPS,ROHM,Xilinx,Pulse,ON,Everlight and Freescale. Main products comprise IC,Modules,Potentiometer,IC Socket,Relay,Connector.Our parts cover such applications as commercial,industrial, and automotives areas.

We are looking forward to setting up business relationship with you and hope to provide you with the best service and solution. Let us make a better world for our industry!



Contact us

Tel: +86-755-8981 8866 Fax: +86-755-8427 6832

Email & Skype: info@chipsmall.com Web: www.chipsmall.com

Address: A1208, Overseas Decoration Building, #122 Zhenhua RD., Futian, Shenzhen, China



Power Supply Cord with UK Power (Mains) Plug 3-pole, Angled



United Kingdom



AS 3112

**Description**

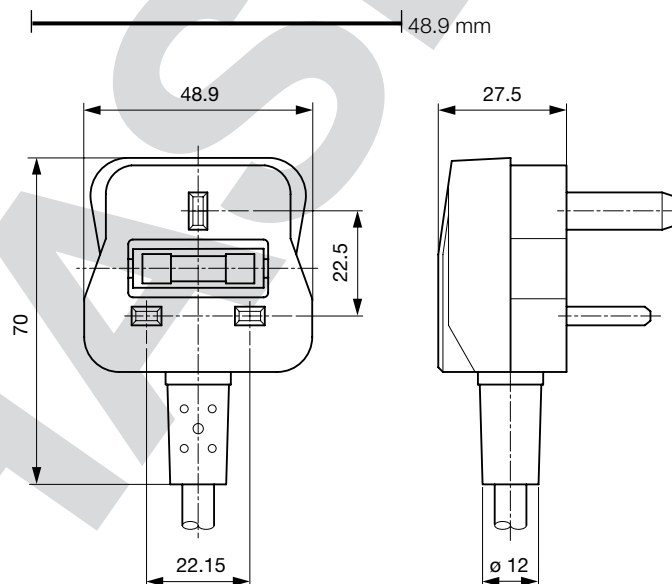
Power Supply Cord, protection class I or II, Pin temperature 70 °C, Cable

Weblinks

[pdf](#), [html](#), [General Product Information](#), [Approvals](#), [RoHS](#), [CHINA-RoHS](#), [Mating Connectors](#), [e-Shop](#), [SCHURTER-Stock-Check](#), [Distributor-Stock-Check](#), [Accessories](#), [Detailed request for product](#)

Technical Data

Ratings IEC	13A / 250VAC; 50Hz
Ratings UL/CSA	13A / 250VAC; 60Hz
Dielectric Strength	> 2kVDC between L-N > 2kVAC between L/N-PE (1 min/50Hz)
Allowable Operation Temp.	-25 °C to 70 °C
Degree of Protection	from front side IP 20 acc. to IEC 60529
Protection Class	Suitable for appliances with protection class 1 or 2 acc. to IEC 61140
Terminal	moulded
Material: Housing	PVC, black or grey

Dimensions

Config. Code

2343 - R - Type - D - Length

The characters are placeholders for the correspondingly keys of selections from the key tables.
Typ steht für die Dose bzw. 2. Seite, Länge ist die Leitungslänge in mm.

2343 - R - Type - D - Length = cord type

cord type	Configuration key
H03VV-F 2x0,75mm ²	A
H03VWH2-F 2x0,75mm ²	B
H03VV-F 3G0,75mm ²	C
H05VV-F 2x0,75mm ²	D
H05VV-F 2x1,0mm ²	F
H05VV-F 3G0,75mm ²	G
H05RR-F 3G0,75mm ²	H
H05VV-F 3G1,0mm ²	I
H05VV-F 3G1,5mm ²	K
special cord	Z

Cord definition is detailed in general product information XXX

2343 - R - Type - D - Length = Cord end 2

Cord end 2
zzzz, 0301, 3013, 3016, 3020, 3030, 3113, 3127, 3130, 9011

2343 - R - Type - D - Length = Color

Color	Configuration key
Black	A
Grey	B

2343 - R - Type - D - Length = Cord length

Cord length
zzzz, 000500, 001000, 001500, 002000, 002500, 003000, 005000

Cord length in mm

Packaging unit 100 Pcs

PHASER