



Chipsmall Limited consists of a professional team with an average of over 10 year of expertise in the distribution of electronic components. Based in Hongkong, we have already established firm and mutual-benefit business relationships with customers from,Europe,America and south Asia,supplying obsolete and hard-to-find components to meet their specific needs.

With the principle of “Quality Parts,Customers Priority,Honest Operation,and Considerate Service”,our business mainly focus on the distribution of electronic components. Line cards we deal with include Microchip,ALPS,ROHM,Xilinx,Pulse,ON,Everlight and Freescale. Main products comprise IC,Modules,Potentiometer,IC Socket,Relay,Connector.Our parts cover such applications as commercial,industrial, and automotives areas.

We are looking forward to setting up business relationship with you and hope to provide you with the best service and solution. Let us make a better world for our industry!



Contact us

Tel: +86-755-8981 8866 Fax: +86-755-8427 6832

Email & Skype: info@chipsmall.com Web: www.chipsmall.com

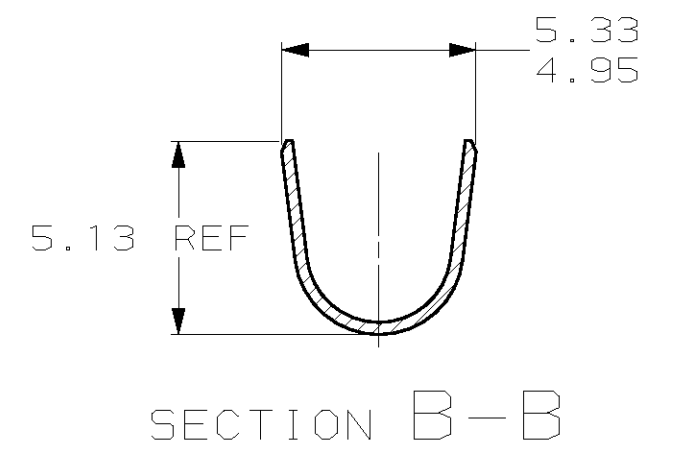
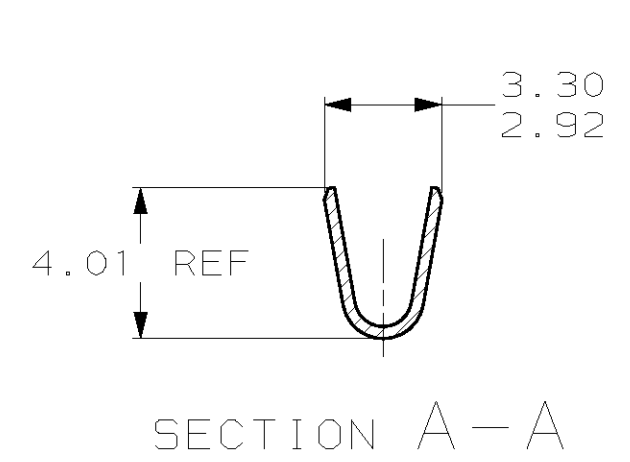
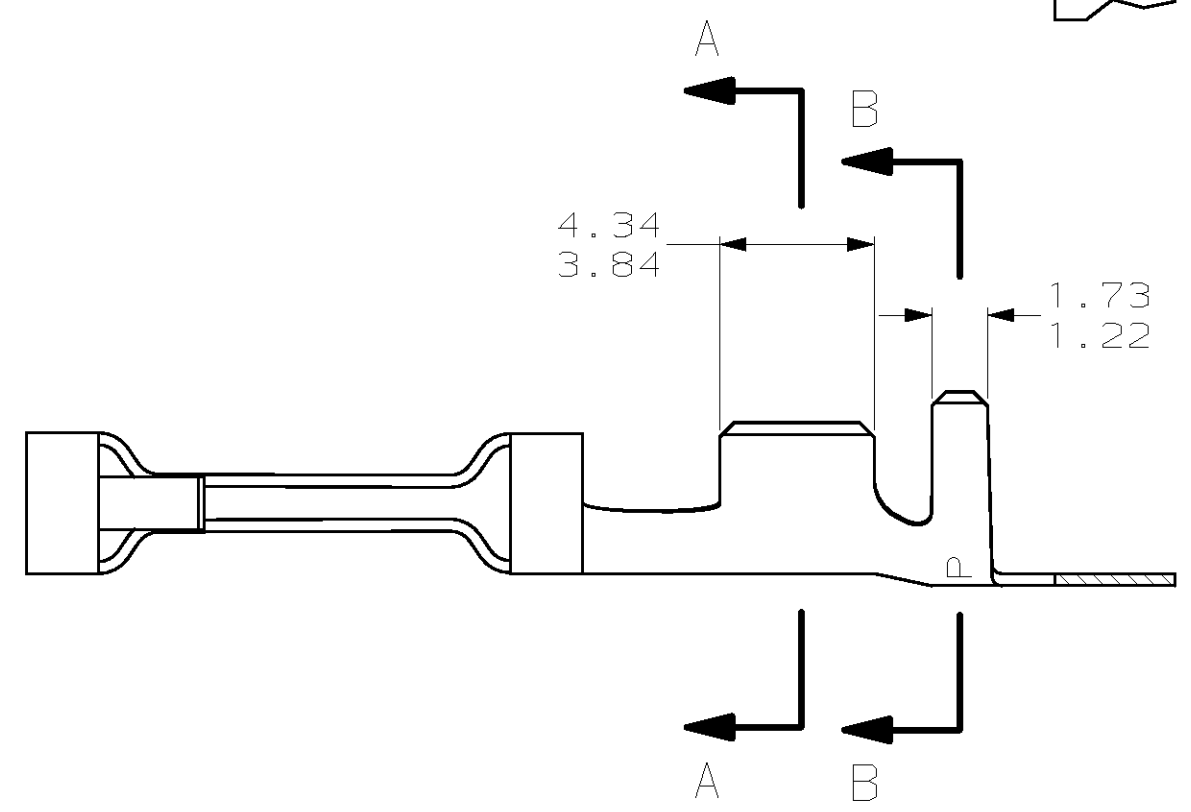
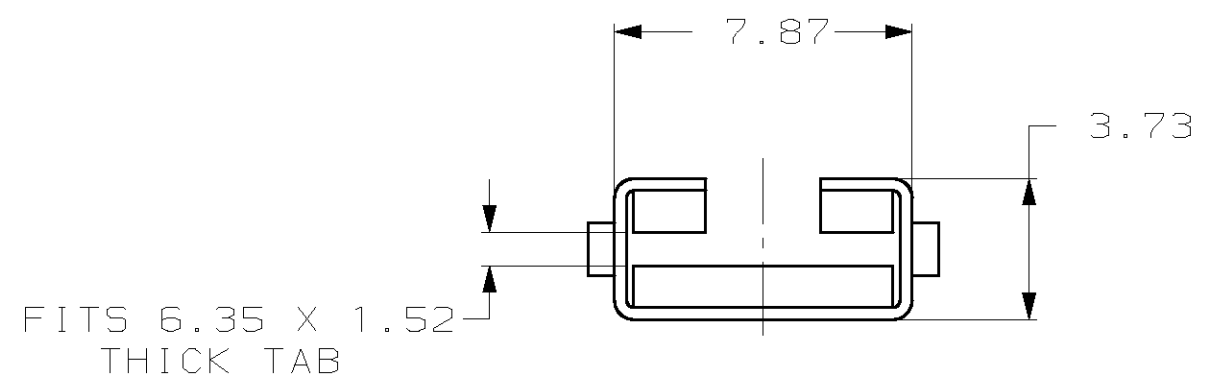
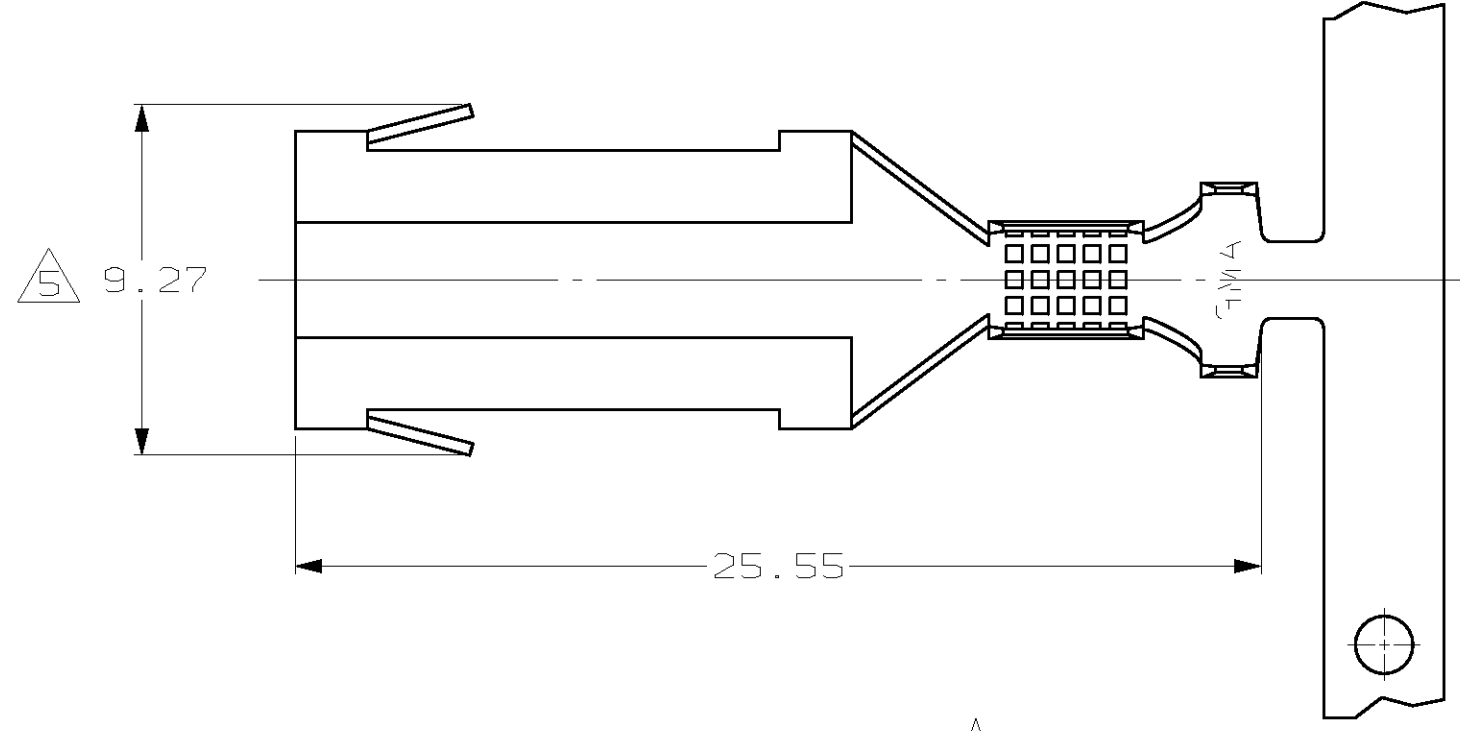
Address: A1208, Overseas Decoration Building, #122 Zhenhua RD., Futian, Shenzhen, China



THIS DRAWING IS UNPUBLISHED. RELEASED FOR PUBLICATION .19
 (C) COPYRIGHT 19 BY AMP INCORPORATED. ALL RIGHTS RESERVED.

LOC		DIST		REVISIONS			
P	LTR	DESCRIPTION	DATE	DWN	APVD		
CM	52	P		REV & REDWN PER EC 0L30-0271-97	9-17-97	TB	RS

1. THIS TERMINAL TO BE USED IN HOUSING 480289.
 2. WIRE RANGE: 0.8 - 2 MM² (18 - 14 AWG)
 3. INSULATION RANGE: 3.05 - 4.32
 4. APPLICATOR FEED: 19.30±0.08
- △ 8.76 MIN AFTER INSERTION INTO HOUSING.



60517-1
PART NUMBER

1.73	.068	4.01	.158	6.35	.250	-	-
1.52	.060	3.84	.151	5.33	.210	25.55	1.006
1.22	.048	3.73	.147	5.13	.202	19.30	.760
0.320	.0126	3.30	.130	4.95	.195	9.27	.365
0.13	.005	3.05	.120	4.34	.171	8.76	.345
0.08	.003	2.92	.115	4.32	.170	7.87	.310
MM	IN	MM	IN	MM	IN	MM	IN

CONVERSION TABLE

METRIC

THIS DRAWING IS A CONTROLLED DOCUMENT.

DIMENSIONS:	TOLERANCES UNLESS OTHERWISE SPECIFIED:	DWN	9-17-97
mm		T. BECK	
		CHK	9-17-97
		R. SWING	
		APVD	12-03-97
		A. BEDDICK	
		PRODUCT SPEC	
		APPLICATION SPEC	
		WEIGHT	
MATERIAL	FINISH	SIZE	CAGE CODE
0.320 BRASS	PRE-TIN	A2	00779
		DRAWING NO	60517
		RESTRICTED TO	
		SCALE	5:1
		SHEET	1 OF 1
		REV	P

AMP Incorporated
Harrisburg, PA 17105-3608

RECEPTACLE, TAB, SPECIAL HOUSINGS AND ASSEMBLIES

CUSTOMER DRAWING