



Chipsmall Limited consists of a professional team with an average of over 10 year of expertise in the distribution of electronic components. Based in Hongkong, we have already established firm and mutual-benefit business relationships with customers from,Europe,America and south Asia,supplying obsolete and hard-to-find components to meet their specific needs.

With the principle of “Quality Parts,Customers Priority,Honest Operation,and Considerate Service”,our business mainly focus on the distribution of electronic components. Line cards we deal with include Microchip,ALPS,ROHM,Xilinx,Pulse,ON,Everlight and Freescale. Main products comprise IC,Modules,Potentiometer,IC Socket,Relay,Connector.Our parts cover such applications as commercial,industrial, and automotives areas.

We are looking forward to setting up business relationship with you and hope to provide you with the best service and solution. Let us make a better world for our industry!



Contact us

Tel: +86-755-8981 8866 Fax: +86-755-8427 6832

Email & Skype: info@chipsmall.com Web: www.chipsmall.com

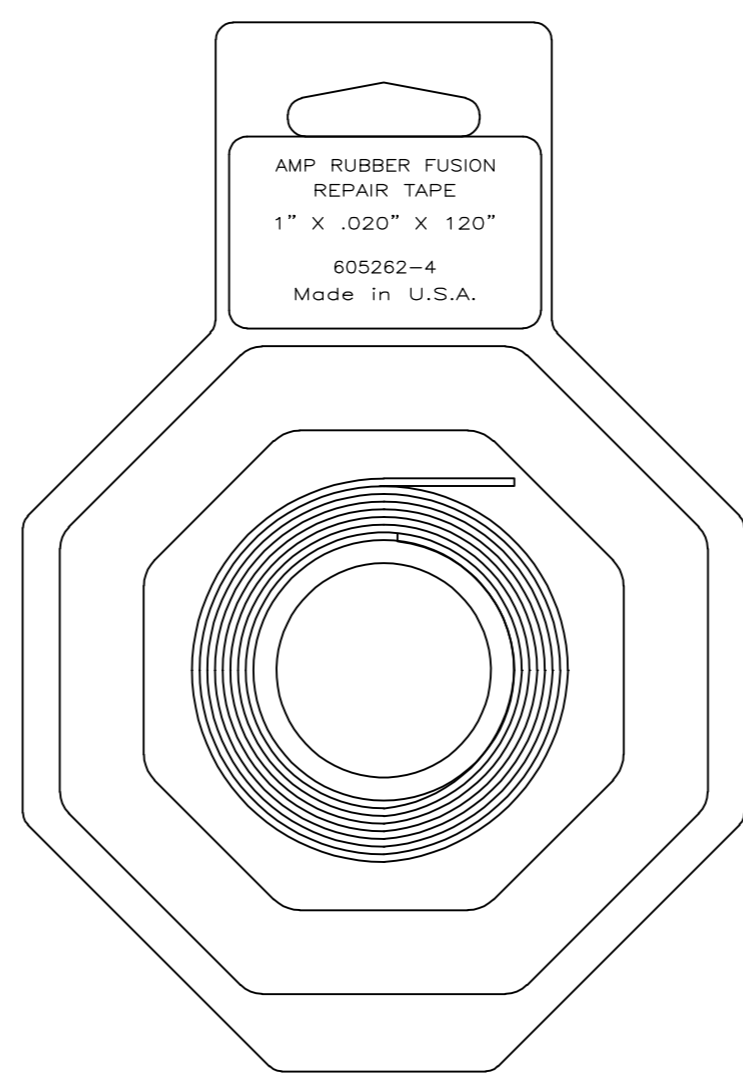
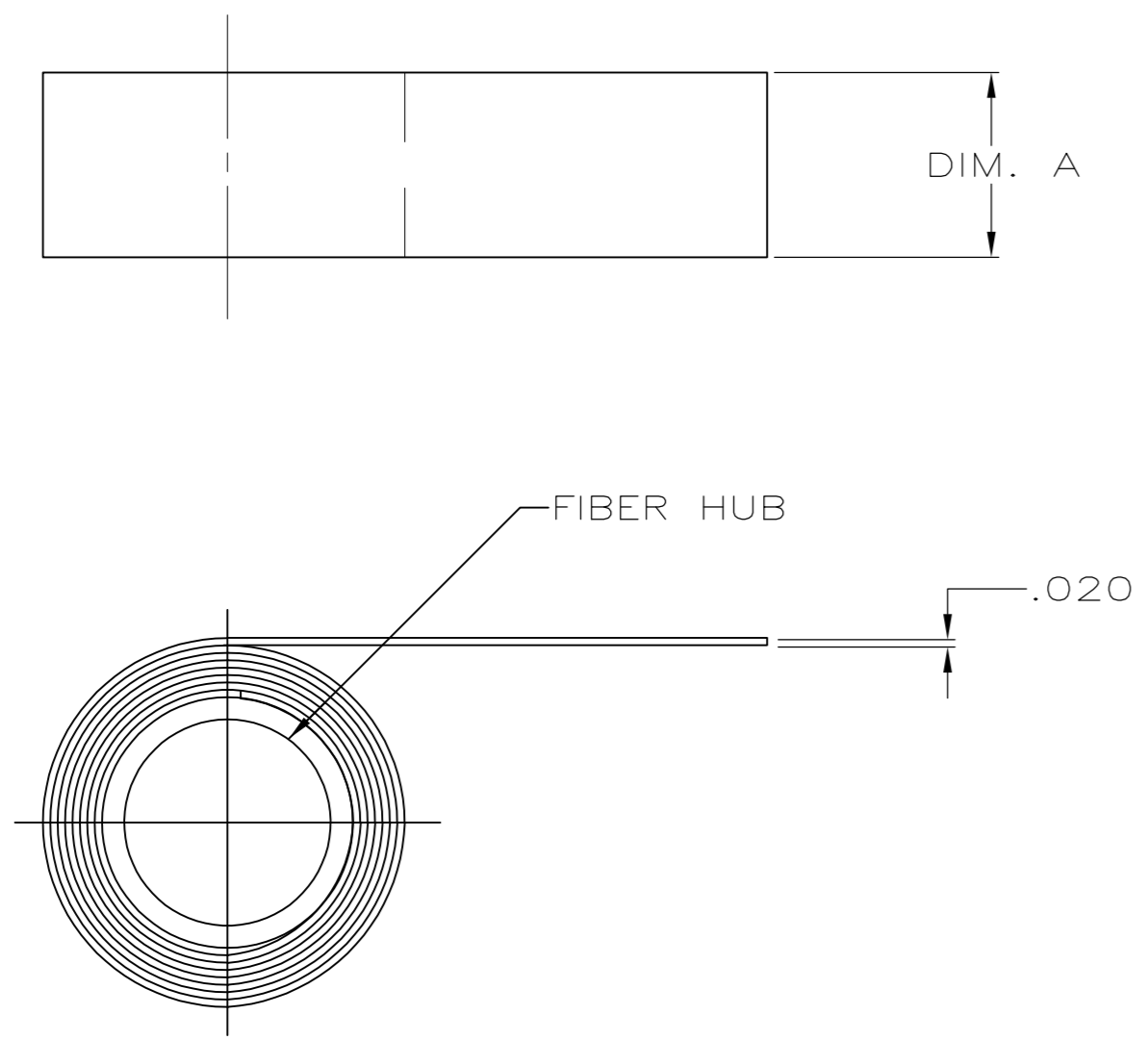
Address: A1208, Overseas Decoration Building, #122 Zhenhua RD., Futian, Shenzhen, China



THIS DRAWING IS UNPUBLISHED. RELEASED FOR PUBLICATION
 © COPYRIGHT BY TYCO ELECTRONICS CORPORATION. ALL INTERNATIONAL RIGHTS RESERVED.

LOC	DIST	REVISIONS			
P	LTR	DESCRIPTION	DATE	DWN	APVD
EY	25	F	REV PER ECR 10-009281	04MAY10	JR TM

- 1 MATERIAL: POLYISOBUTYLENE SELF-AMALGAMATING TAPE, BLACK, .020 THICK.
- 2 PACKAGED 1 ROLL PER POLYBAG.
- 3 PACKAGED 1 ROLL PER CLAMSHELL, 5 CLAMSHELLS PER CARTON, SEE FIGURE A.
- 4 SELF-AMALGAMATING MATERIAL HAS 5-YEAR SHELF-LIFE, WHICH BEGINS THE DAY ITS MADE. USE AFTER EXPIRATION CONSIDERABLY IMPEDES ITS ABILITY TO FUSE.



PACKAGED	LENGTH/ROLL	DIM. A	PART NO.
3	3.05M [10 FEET]	25.4 [1.00]	605262-4
2	9.15M [30 FEET]	50.8 [2.00]	605262-2
2	3.05M [10 FEET]	25.4 [1.00]	605262-1

THIS DRAWING IS A CONTROLLED DOCUMENT.		DWN 9-07-94 D.L. DRUMMOND	Tyco Electronics Corporation Harrisburg, PA 17105-3608	
DIMENSIONS: INCHES		CHK 9-21-94 C. WHITT	NAME TAPE, COLD SHRINK	
TOLERANCES UNLESS OTHERWISE SPECIFIED:		APVD 9-27-94 D KAAT	PRODUCT SPEC	
0 PLC ± -		APPLICATION SPEC		
1 PLC ± -		WEIGHT -		
2 PLC ± -		SIZE A2		
3 PLC ± -		CAGE CODE 00779		
4 PLC ± -		DRAWING NO C=605262		
ANGLES ± -		RESTRICTED TO -		
FINISH -		SCALE NONE SHEET 1 of 1 REV F		
MATERIAL - 1		CUSTOMER DRAWING		

605262