



Chipsmall Limited consists of a professional team with an average of over 10 year of expertise in the distribution of electronic components. Based in Hongkong, we have already established firm and mutual-benefit business relationships with customers from,Europe,America and south Asia,supplying obsolete and hard-to-find components to meet their specific needs.

With the principle of “Quality Parts,Customers Priority,Honest Operation,and Considerate Service”,our business mainly focus on the distribution of electronic components. Line cards we deal with include Microchip,ALPS,ROHM,Xilinx,Pulse,ON,Everlight and Freescale. Main products comprise IC,Modules,Potentiometer,IC Socket,Relay,Connector.Our parts cover such applications as commercial,industrial, and automotives areas.

We are looking forward to setting up business relationship with you and hope to provide you with the best service and solution. Let us make a better world for our industry!



Contact us

Tel: +86-755-8981 8866 Fax: +86-755-8427 6832

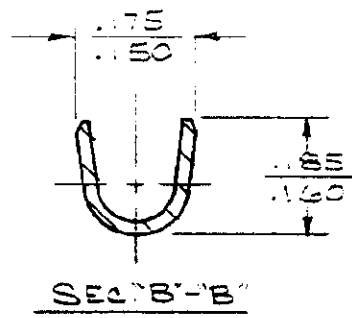
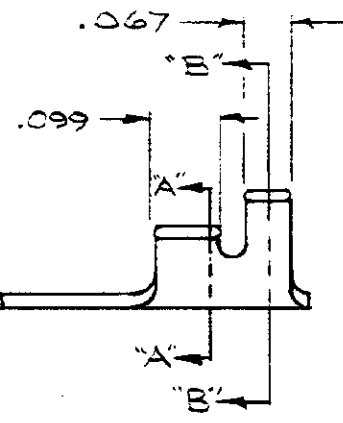
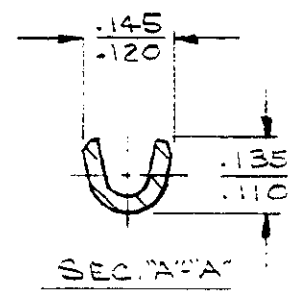
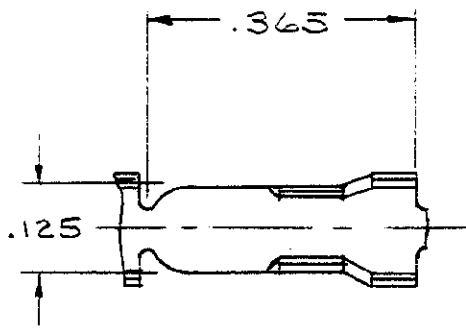
Email & Skype: info@chipsmall.com Web: www.chipsmall.com

Address: A1208, Overseas Decoration Building, #122 Zhenhua RD., Futian, Shenzhen, China



DRAWING MADE IN AMERICAN PROJECTION

NUMBER
60581



CONTINUED STRIP ON REELS

PART NO.
60581-1

DIMENSIONS IN INCHES. DO NOT SCALE PRINT.

©1972 BY AMP INCORPORATED. ALL RIGHTS RESERVED. AMP PRODUCTS COVERED BY PATENTS AND/OR PATENTS PENDING

**CUSTOMER COPY
REFERENCE ONLY**

MATERIAL AND FINISH
.020 STEEL
TIN



AMP INCORPORATED
HARRISBURG, PENNA.

WIRE — RANGE — INSULATION
#20 — #16 | .090 — .130

CLASS —

TYPE —

TOLERANCE EXCEPT AS NOTED
± .015

SCALE
4x1

LOC
AF

NO
60581

REV

PRINT/DIST	REVISION RECORD	ECN	DR/CHK	DATE
50	DE B. BANKS 5-25-72		DE E. J. Jombar 10-3-72	
	CHK F. L. GOMBAR 10-3-72		APP B. OLSSON 10-9-72	

NAME
WELD TAB