



Chipsmall Limited consists of a professional team with an average of over 10 year of expertise in the distribution of electronic components. Based in Hongkong, we have already established firm and mutual-benefit business relationships with customers from,Europe,America and south Asia,supplying obsolete and hard-to-find components to meet their specific needs.

With the principle of “Quality Parts,Customers Priority,Honest Operation,and Considerate Service”,our business mainly focus on the distribution of electronic components. Line cards we deal with include Microchip,ALPS,ROHM,Xilinx,Pulse,ON,Everlight and Freescale. Main products comprise IC,Modules,Potentiometer,IC Socket,Relay,Connector.Our parts cover such applications as commercial,industrial, and automotives areas.

We are looking forward to setting up business relationship with you and hope to provide you with the best service and solution. Let us make a better world for our industry!



## Contact us

Tel: +86-755-8981 8866 Fax: +86-755-8427 6832

Email & Skype: info@chipsmall.com Web: www.chipsmall.com

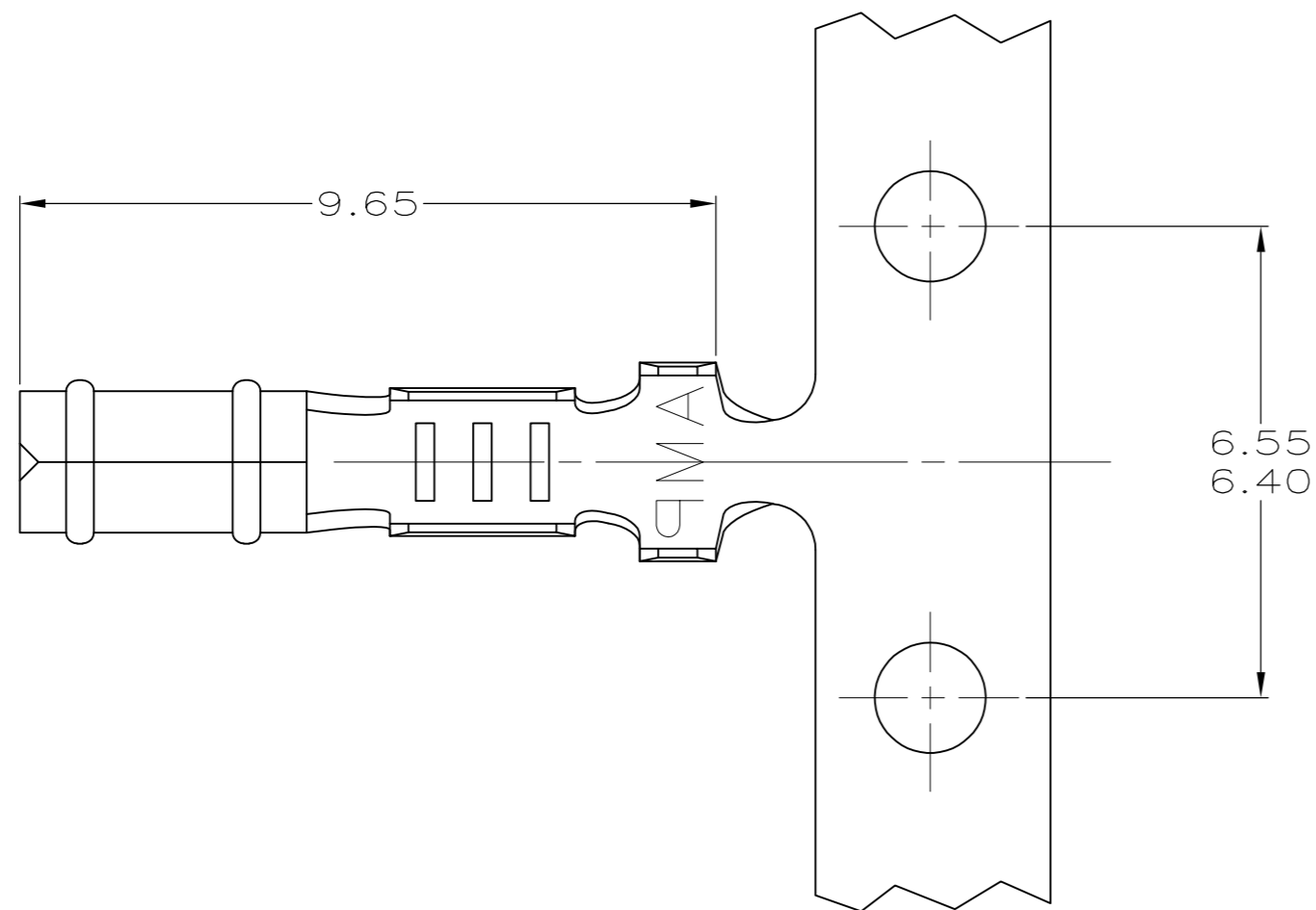
Address: A1208, Overseas Decoration Building, #122 Zhenhua RD., Futian, Shenzhen, China



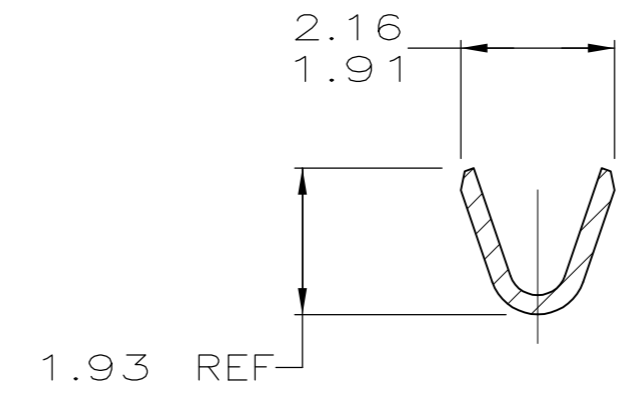
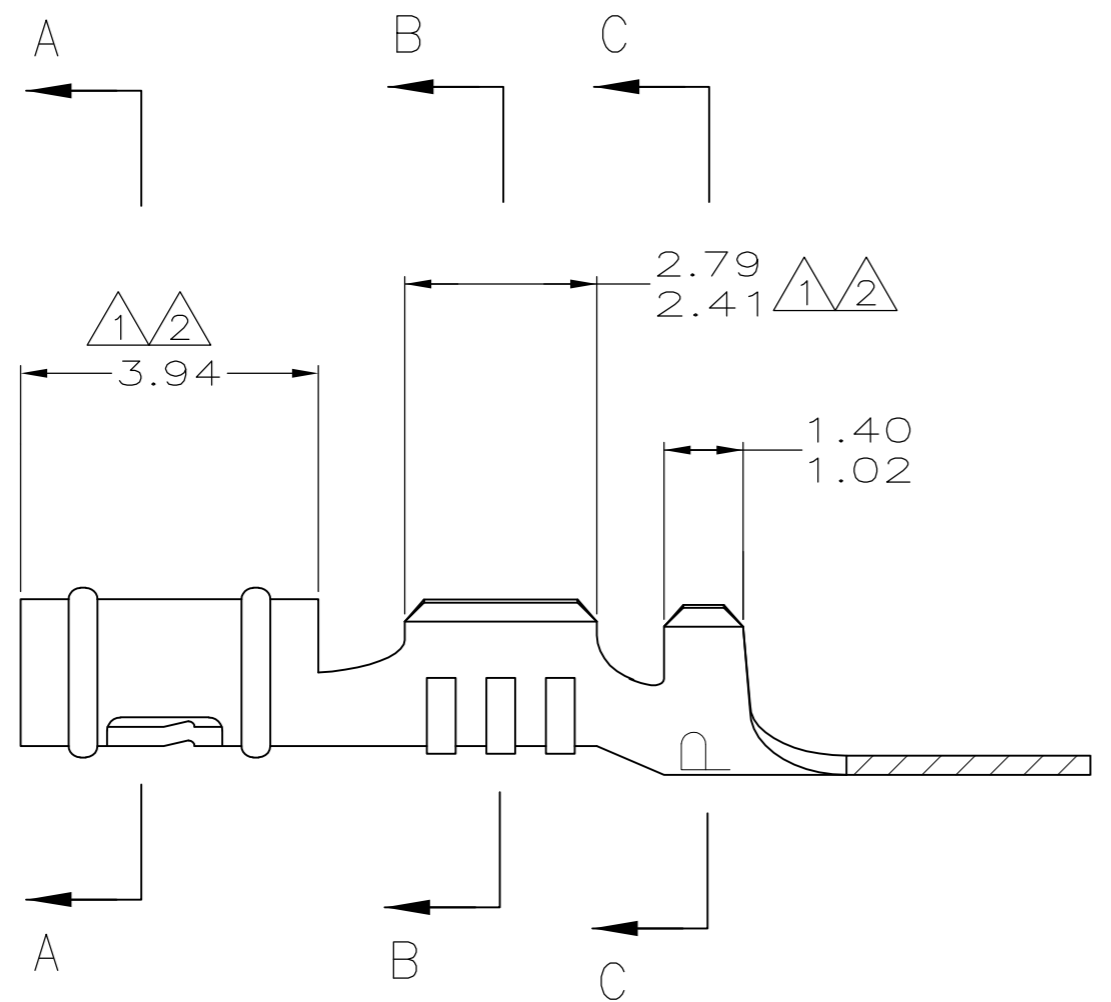
THIS DRAWING IS UNPUBLISHED. RELEASED FOR PUBLICATION  
 © COPYRIGHT - By - ALL RIGHTS RESERVED.

LOC	DIST	REVISIONS					
		P	LTR	DESCRIPTION	DATE	DWN	APVD
CM	52		AH1	REVISED PER ECO-11-004917	11MAR11	RK	HMR

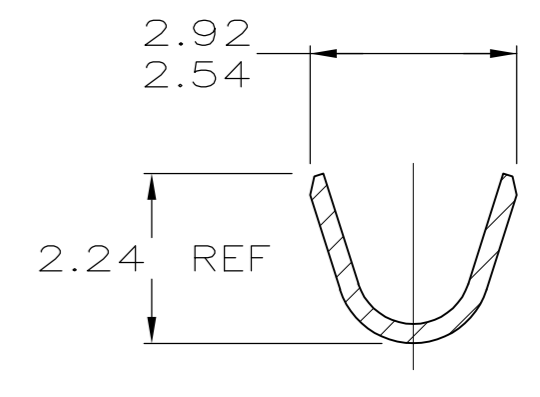
- ① 0.00038 MIN SELECTIVE GOLD PLATING ON INSIDE OF RECEPTACLE AND WIRE BARREL OVER NICKEL OVER ALL UNDERPLATE.
- ② 0.00076 MIN SELECTIVE GOLD PLATING ON INSIDE OF RECEPTACLE AND WIRE BARREL OVER NICKEL OVER ALL UNDERPLATE.
- 3. WIRE RANGE: 0.2 - 0.6 MM<sup>2</sup> (24 - 20 AWG)
- 4. INSULATION RANGE: 1.14 - 1.78
- ⑤ REVERSED REELED.



SECTION A-A



SECTION B-B

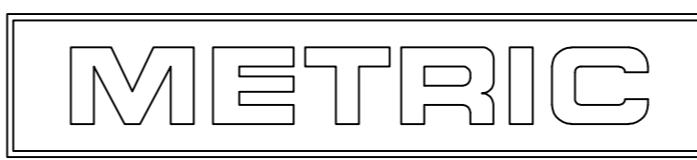


SECTION C-C

FINISH	MATERIAL	PART NUMBER
⑤	①	0.25 BE CU 60598-9
⑤	①	0.25 BE CU 60598-8
⑤	②	0.25 PH BRZ 60598-7
⑤	②	0.25 PH BRZ 60598-5
	MATTE TIN	0.25 BE CU 60598-4
	PRE-TIN	0.25 PH BRZ 60598-3
⑤	MATTE TIN	0.25 BE CU 60598-2
⑤	PRE-TIN	0.25 PH BRZ 60598-1

MM	IN	MM	IN	MM	IN	MM	IN
1.14	.045	1.91	.075	2.79	.110	-	-
1.02	.040	1.78	.070	2.54	.100	9.65	.380
0.25	.010	1.486	.0585	2.41	.095	6.55	.258
0.13	.005	1.47	.058	2.24	.088	6.40	.252
0.00076	.000030	1.40	.055	2.16	.085	3.94	.155
0.00038	.000015	1.359	.0535	1.93	.076	2.92	.115

CONVERSION TABLE



THIS DRAWING IS A CONTROLLED DOCUMENT.

DIMENSIONS: mm	TOLERANCES UNLESS OTHERWISE SPECIFIED:	DWN T. BECK 5-08-97	
		CHK R. SWING 5-08-97	
		APVD A. BEDDICK 8-22-97	NAME
		PRODUCT SPEC 108-1025	RECEPTACLE, .058 DIAMETER, 24-20 AWG, .045-.070 INSULATION, P.C. CONTACT
MATERIAL SEE TABLE	FINISH SEE TABLE	APPLICATION SPEC 114-1008	SIZE A2 CAGE CODE 00779 DRAWING NO C-60598
		WEIGHT -	RESTRICTED TO -
		CUSTOMER DRAWING	SCALE 10:1 SHEET 1 OF 1 REV AH1