



Chipsmall Limited consists of a professional team with an average of over 10 year of expertise in the distribution of electronic components. Based in Hongkong, we have already established firm and mutual-benefit business relationships with customers from,Europe,America and south Asia,supplying obsolete and hard-to-find components to meet their specific needs.

With the principle of "Quality Parts,Customers Priority,Honest Operation,and Considerate Service",our business mainly focus on the distribution of electronic components. Line cards we deal with include Microchip,ALPS,ROHM,Xilinx,Pulse,ON,Everlight and Freescale. Main products comprise IC,Modules,Potentiometer,IC Socket,Relay,Connector.Our parts cover such applications as commercial,industrial, and automotives areas.

We are looking forward to setting up business relationship with you and hope to provide you with the best service and solution. Let us make a better world for our industry!



Contact us

Tel: +86-755-8981 8866 Fax: +86-755-8427 6832

Email & Skype: info@chipsmall.com Web: www.chipsmall.com

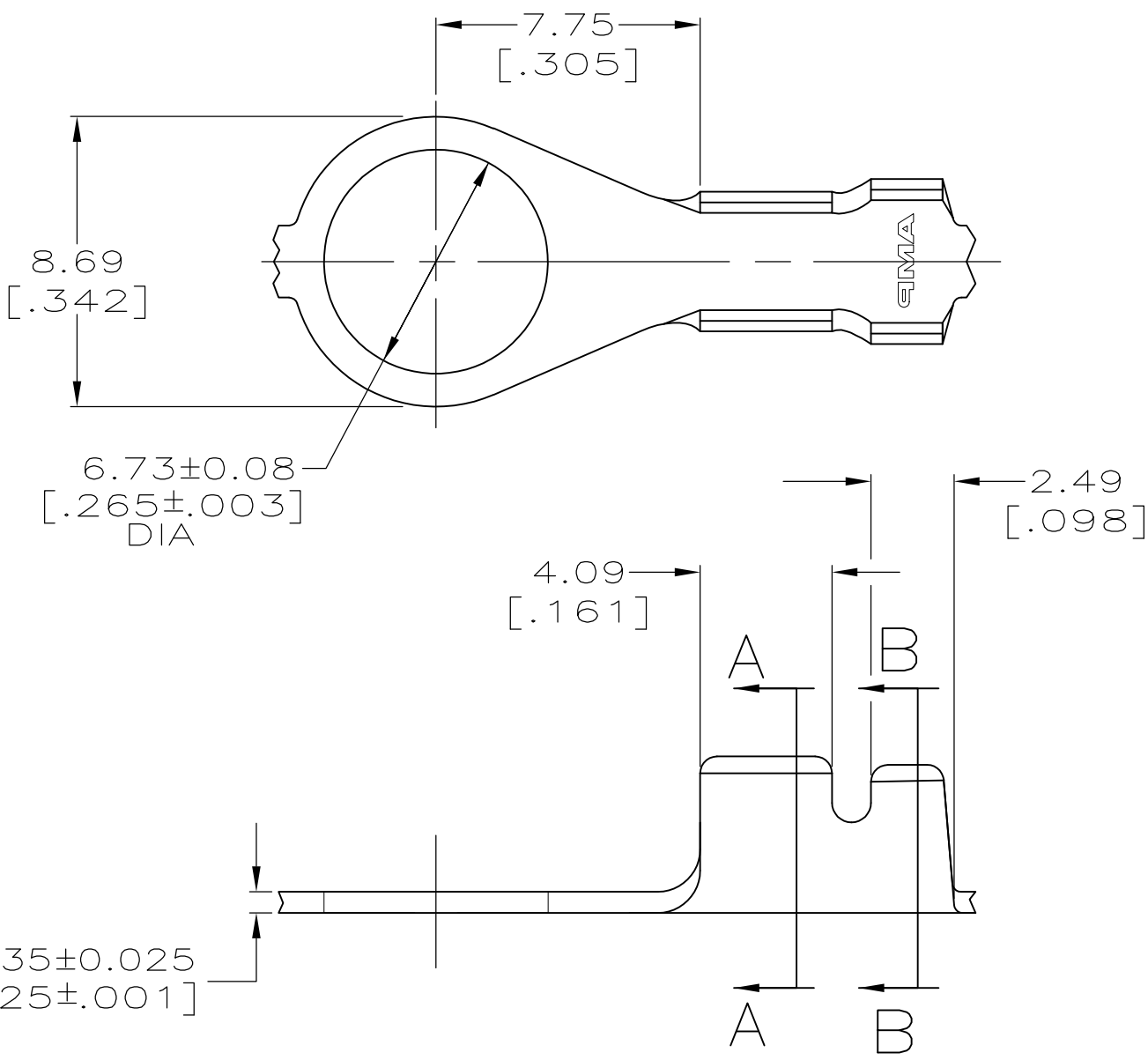
Address: A1208, Overseas Decoration Building, #122 Zhenhua RD., Futian, Shenzhen, China



THIS DRAWING IS UNPUBLISHED. RELEASED FOR PUBLICATION
 © COPYRIGHT BY TYCO ELECTRONICS CORPORATION. ALL INTERNATIONAL RIGHTS RESERVED.

LOC	DIST	REVISIONS					
AF	50	P	LTR	DESCRIPTION	DATE	DWN	APVD
		V		REVISED PER ECR-08-008189	24NOV08	HMR	DD

1 CONTINUOUS STRIP ON REEL.



SECTION A-A
SCALE 10:1

SECTION B-B
SCALE 10:1

2.54-3.56 DIA [.100-.140]	[18-14] AWG	60625-1
INSULATION RANGE	WIRE RANGE	PART NO

THIS DRAWING IS A CONTROLLED DOCUMENT.		DWN 07/APR/95 PHILLIP M FORTNEY	Tyco Electronics Corporation Harrisburg, PA 17105-3608	
DIMENSIONS: mm [INCHES]	TOLERANCES UNLESS OTHERWISE SPECIFIED:	CHK 07/APR/95 JEFF R RUTH	NAME	
	0 PLC ± -	APVD 07/APR/95 GARY YETTER	RING	
	1 PLC ± -	PRODUCT SPEC	-	
	2 PLC ± 0.25 [.010]	APPLICATION SPEC	SIZE	CAGE CODE
	3 PLC ± -		A3	00779
	4 PLC ± -		DRAWING NO	C-60625
	ANGLES ± -		RESTRICTED TO	-
MATERIAL	FINISH	WEIGHT	SCALE 5:1	
082 BRASS	TIN PLATING	-	SHEET 1 OF 1	REV V
CUSTOMER DRAWING			SCALE 5:1	