



Chipsmall Limited consists of a professional team with an average of over 10 year of expertise in the distribution of electronic components. Based in Hongkong, we have already established firm and mutual-benefit business relationships with customers from,Europe,America and south Asia,supplying obsolete and hard-to-find components to meet their specific needs.

With the principle of “Quality Parts,Customers Priority,Honest Operation,and Considerate Service”,our business mainly focus on the distribution of electronic components. Line cards we deal with include Microchip,ALPS,ROHM,Xilinx,Pulse,ON,Everlight and Freescale. Main products comprise IC,Modules,Potentiometer,IC Socket,Relay,Connector.Our parts cover such applications as commercial,industrial, and automotives areas.

We are looking forward to setting up business relationship with you and hope to provide you with the best service and solution. Let us make a better world for our industry!



Contact us

Tel: +86-755-8981 8866 Fax: +86-755-8427 6832

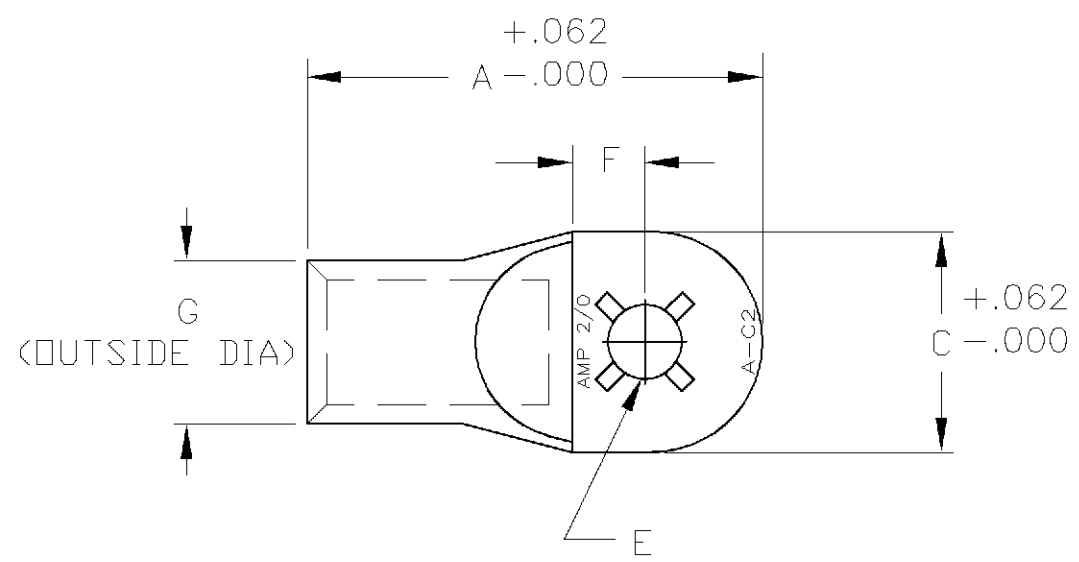
Email & Skype: info@chipsmall.com Web: www.chipsmall.com

Address: A1208, Overseas Decoration Building, #122 Zhenhua RD., Futian, Shenzhen, China

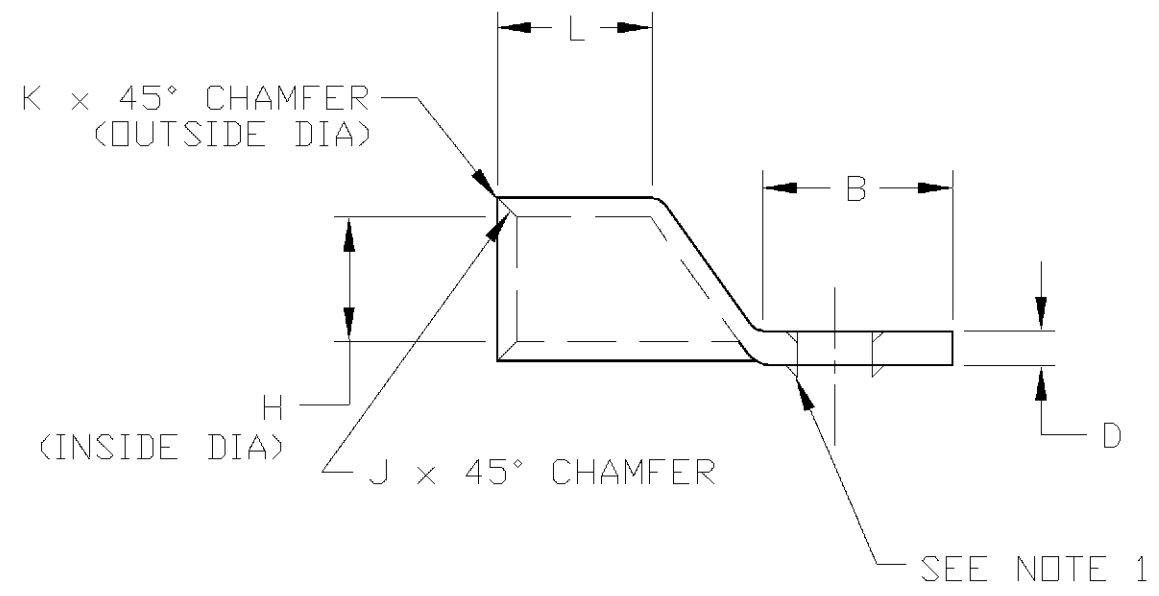


THIS DRAWING IS UNPUBLISHED. RELEASED FOR PUBLICATION .19
 © COPYRIGHT 19 BY AMP INCORPORATED. ALL RIGHTS RESERVED.

LOC	DIST	REVISIONS				
P	LTR	DESCRIPTION	DATE	DWN	APVD	
AA	27	F	REDWN & REV; OG1Z-0010-99	12MAY00	LMH/LHS	



1. LOCKING LANCE FOR P/N -1 ONLY



.375	.850	.016	.031	.490	.650	.565	ø.39	.170	.925	1.080	2.25	606296-3
.500	.850	.016	.031	.490	.650	.565	ø.515	.170	.925	1.080	2.25	606296-2
.375	.850	.016	.031	.490	.650	.565	ø.39	.170	.925	1.080	2.25	606296-1
BOLT HOLE SIZE	L	K	J	H	G	F	E	D	C	B	A	PART NUMBER

DIMENSIONS, INCHES

THIS DRAWING IS A CONTROLLED DOCUMENT.		DWN	18APR00	 AMP Incorporated Harrisburg, PA 17105-3608 NOT the LATEST REVISION
		CHK	12MAY00	
		APVD	12MAY00	
		NAME	B. ANTHONY	
DIMENSIONS: INCHES	TOLERANCES UNLESS OTHERWISE SPECIFIED:	PRODUCT SPEC		AMP TUBULAR TERMINAL 2/0 (ROUND TONGUE)
		APPLICATION SPEC		SIZE
		WEIGHT		CAGE CODE
		CUSTOMER DRAWING		DRAWING NO
		SCALE		RESTRICTED TO
		SHEET		REV
		OF		
		1		
		1		
		NTS		
		F		