



Chipsmall Limited consists of a professional team with an average of over 10 year of expertise in the distribution of electronic components. Based in Hongkong, we have already established firm and mutual-benefit business relationships with customers from,Europe,America and south Asia,supplying obsolete and hard-to-find components to meet their specific needs.

With the principle of “Quality Parts,Customers Priority,Honest Operation,and Considerate Service”,our business mainly focus on the distribution of electronic components. Line cards we deal with include Microchip,ALPS,ROHM,Xilinx,Pulse,ON,Everlight and Freescale. Main products comprise IC,Modules,Potentiometer,IC Socket,Relay,Connector.Our parts cover such applications as commercial,industrial, and automotives areas.

We are looking forward to setting up business relationship with you and hope to provide you with the best service and solution. Let us make a better world for our industry!



## Contact us

Tel: +86-755-8981 8866 Fax: +86-755-8427 6832

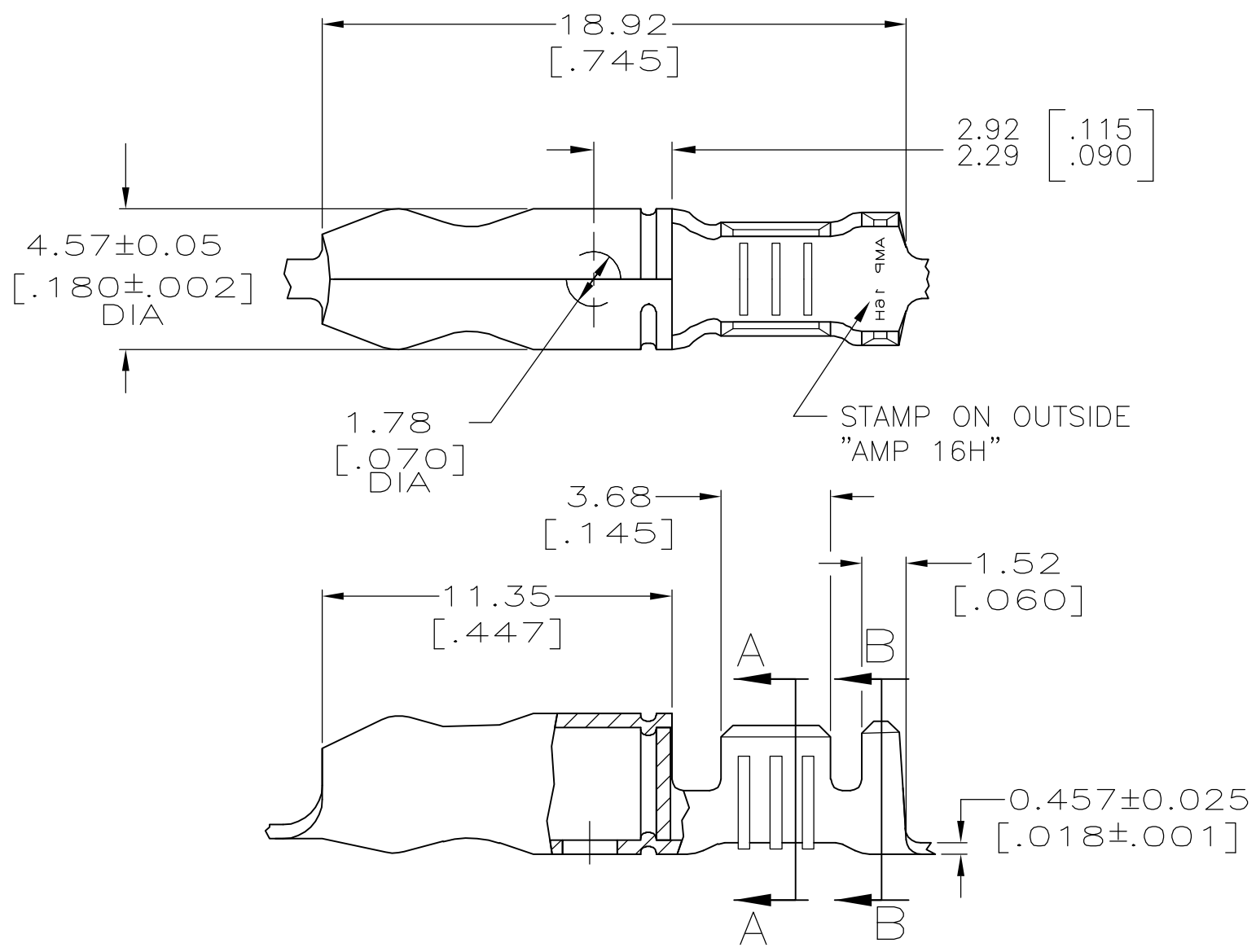
Email & Skype: info@chipsmall.com Web: www.chipsmall.com

Address: A1208, Overseas Decoration Building, #122 Zhenhua RD., Futian, Shenzhen, China

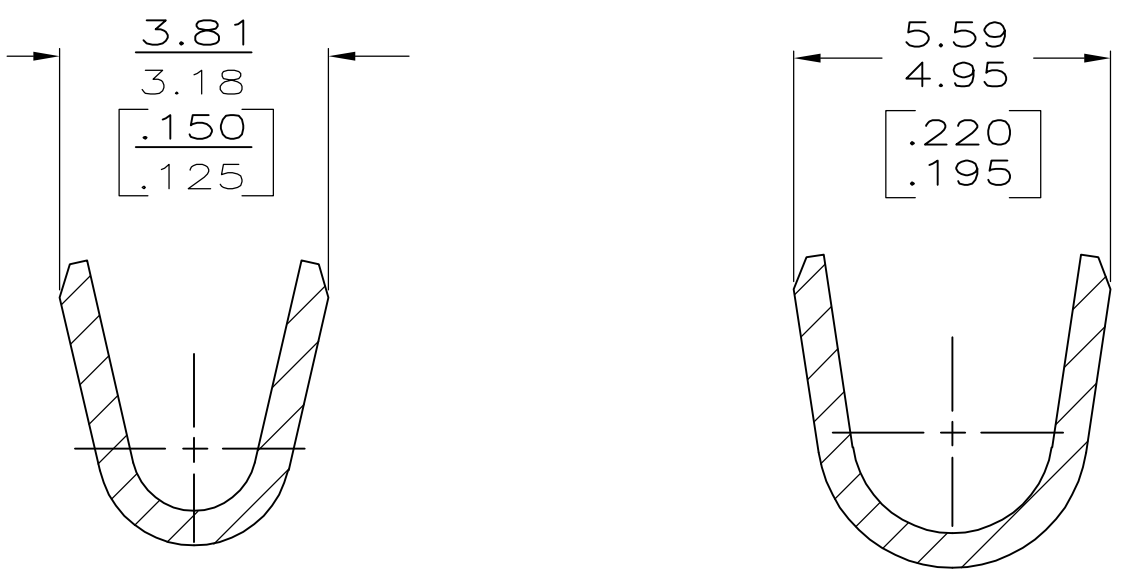


THIS DRAWING IS UNPUBLISHED. RELEASED FOR PUBLICATION  
 © COPYRIGHT - BY TYCO ELECTRONICS CORPORATION. ALL RIGHTS RESERVED.

LOC	DIST	REVISIONS			
P	LTR	DESCRIPTION	DATE	DWN	APVD
AF	50	N1	REVISED PER ECR-06028057	03JAN07	MF DD



- 1 CONTINUOUS STRIP ON REEL.
- △ 2 0.02032 [.000080] MIN TIN PLATE.
- 3 WIRE RANGE: #18-#14 AWG.
- 4 INSULATION RANGE: 3.05-4.45 [.120-.175] DIA.



SECTION A-A  
SCALE 10:1

SECTION B-B  
SCALE 10:1

THIS DRAWING IS A CONTROLLED DOCUMENT.

DIMENSIONS: mm [INCHES]	TOLERANCES UNLESS OTHERWISE SPECIFIED:
	0 PLC ± -
	1 PLC ± -
	2 PLC ± 0.25 [.010]
	3 PLC ± -
	4 PLC ± -
	ANGLES ± -
MATERIAL SEE TABLE	FINISH SEE TABLE

-	081 BRASS	60660-2
△ 2	081 BRASS	60660-1
FINISH	MATERIAL	PART NUMBER
DWN MICHAEL S. FEHER 03JAN2007	Tyco Electronics Corporation Harrisburg, Pa 17105-3608	
CHK DONALD F. DECKER 03JAN2007	NAME SHUR PLUG, 4.57 [.180] DIA	
APVD DONALD F. DECKER 03JAN2007	PRODUCT SPEC	-
APPLICATION SPEC	SIZE	CAGE CODE
WEIGHT	-	DRAWING NO
CUSTOMER DRAWING	A3	00779
SCALE	5:1	SHEET 1 OF 1
RESTRICTED TO	-	REV N1