



Chipsmall Limited consists of a professional team with an average of over 10 year of expertise in the distribution of electronic components. Based in Hongkong, we have already established firm and mutual-benefit business relationships with customers from,Europe,America and south Asia,supplying obsolete and hard-to-find components to meet their specific needs.

With the principle of “Quality Parts,Customers Priority,Honest Operation,and Considerate Service”,our business mainly focus on the distribution of electronic components. Line cards we deal with include Microchip,ALPS,ROHM,Xilinx,Pulse,ON,Everlight and Freescale. Main products comprise IC,Modules,Potentiometer,IC Socket,Relay,Connector.Our parts cover such applications as commercial,industrial, and automotives areas.

We are looking forward to setting up business relationship with you and hope to provide you with the best service and solution. Let us make a better world for our industry!



Contact us

Tel: +86-755-8981 8866 Fax: +86-755-8427 6832

Email & Skype: info@chipsmall.com Web: www.chipsmall.com

Address: A1208, Overseas Decoration Building, #122 Zhenhua RD., Futian, Shenzhen, China



4

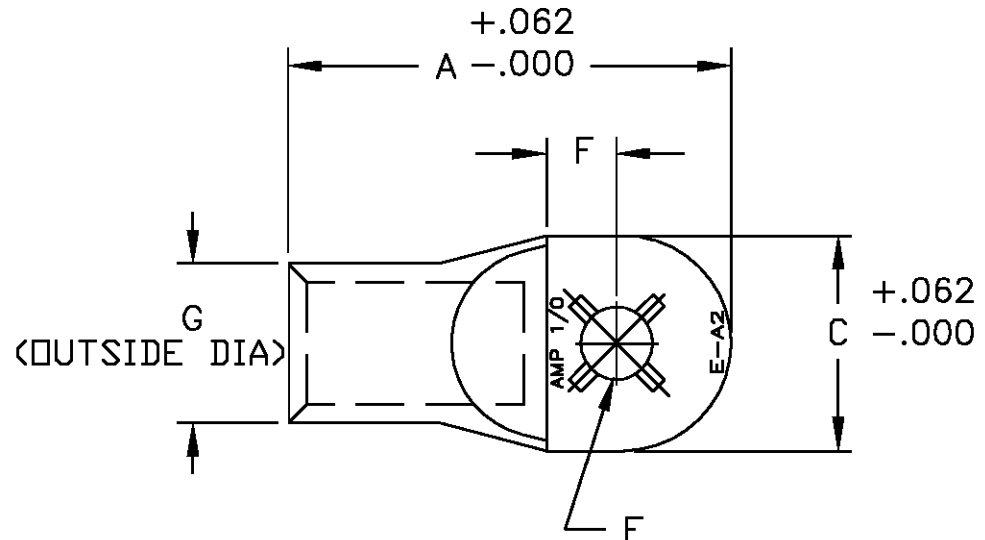
3

2

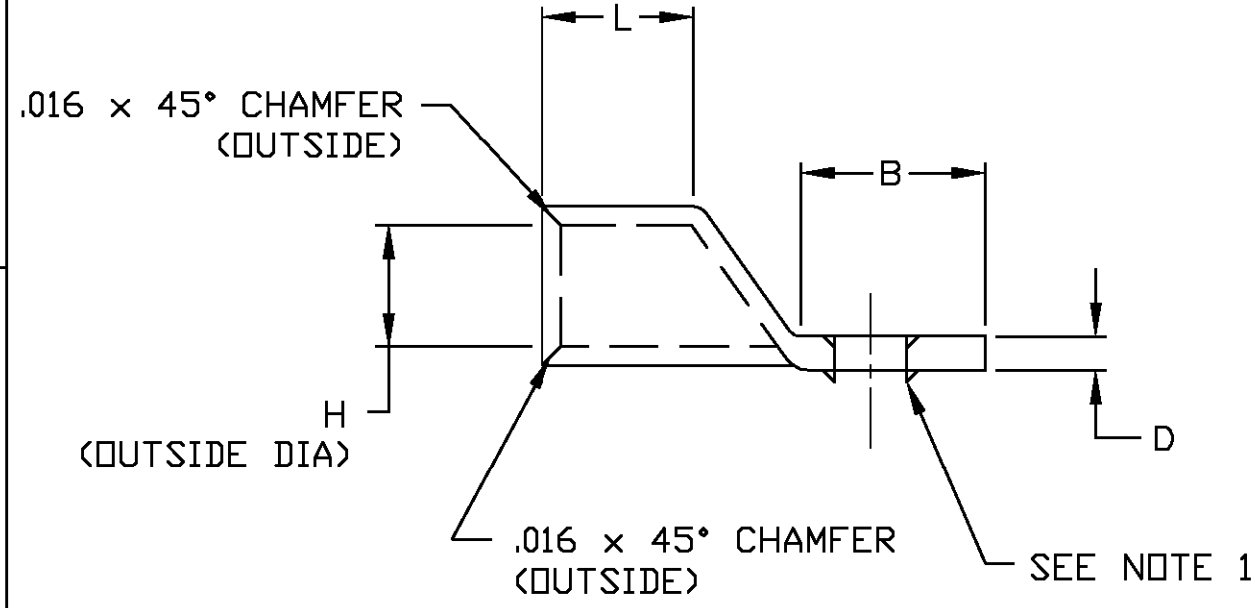
1

THIS DRAWING IS UNPUBLISHED. RELEASED FOR PUBLICATION .19
 © COPYRIGHT 19 BY AMP INCORPORATED. ALL RIGHTS RESERVED.

LOC	DIST	REVISIONS			
P	LTR	DESCRIPTION	DATE	DWN	APVD
AA	27	B	REDWN & REV; OG1Z-0042-99	12MAY00	LMH/LHS



1. LOCKING LANCE FOR P/N -2 AND -7 ONLY.



.250	.750	.469	.609	.438	Ø.266	.141	.86	.938	2.125	606716-7
.250	.750	.469	.609	.438	Ø.266	.141	.86	.938	2.125	606716-6
.375	.750	.469	.609	.438	Ø.391	.141	.86	.938	2.125	606716-5
.500	.750	.469	.609	.500	Ø.516	.141	.86	.938	2.125	606716-4
.438	.750	.469	.609	.438	Ø.453	.141	.86	.938	2.125	606716-3
.375	.750	.469	.609	.438	Ø.391	.141	.86	.938	2.125	606716-2
.312	.750	.469	.609	.438	Ø.328	.141	.86	.938	2.125	606716-1
BOLT HOLE SIZE	L	H	G	F	E	D	C	B	A	PART NUMBER

THIS DRAWING IS A CONTROLLED DOCUMENT.		DWN L. HALL 18APR00	AMP Incorporated Harrisburg PA 17105-3608		
DIMENSIONS: INCHES		CHK L.H. SMITH 12MAY00			
TOLERANCES UNLESS OTHERWISE SPECIFIED:		APVD B. ANTHONY 12MAY00			
0 PLC ± 1 PLC ± 2 PLC ± .02 3 PLC ± .005 4 PLC ± .0005 ANGLES ± 3'		NAME AMP TUBULAR TERMINAL 1/0 (ROUND TONGUE)			
MATERIAL HIGH CONDUCTIVITY WROUGHT COPPER		FINISH ELECTRO TIN PLATE	PRODUCT SPEC	APPLICATION SPEC	RESTRICTED TO
		WEIGHT -	SIZE A3	CAGE CODE 00779	DRAWING NO C-606716
		CUSTOMER DRAWING	SCALE NTS	SHEET 1 OF 1	REV B