



Chipsmall Limited consists of a professional team with an average of over 10 year of expertise in the distribution of electronic components. Based in Hongkong, we have already established firm and mutual-benefit business relationships with customers from,Europe,America and south Asia,supplying obsolete and hard-to-find components to meet their specific needs.

With the principle of “Quality Parts,Customers Priority,Honest Operation,and Considerate Service”,our business mainly focus on the distribution of electronic components. Line cards we deal with include Microchip,ALPS,ROHM,Xilinx,Pulse,ON,Everlight and Freescale. Main products comprise IC,Modules,Potentiometer,IC Socket,Relay,Connector.Our parts cover such applications as commercial,industrial, and automotives areas.

We are looking forward to setting up business relationship with you and hope to provide you with the best service and solution. Let us make a better world for our industry!



## Contact us

Tel: +86-755-8981 8866 Fax: +86-755-8427 6832

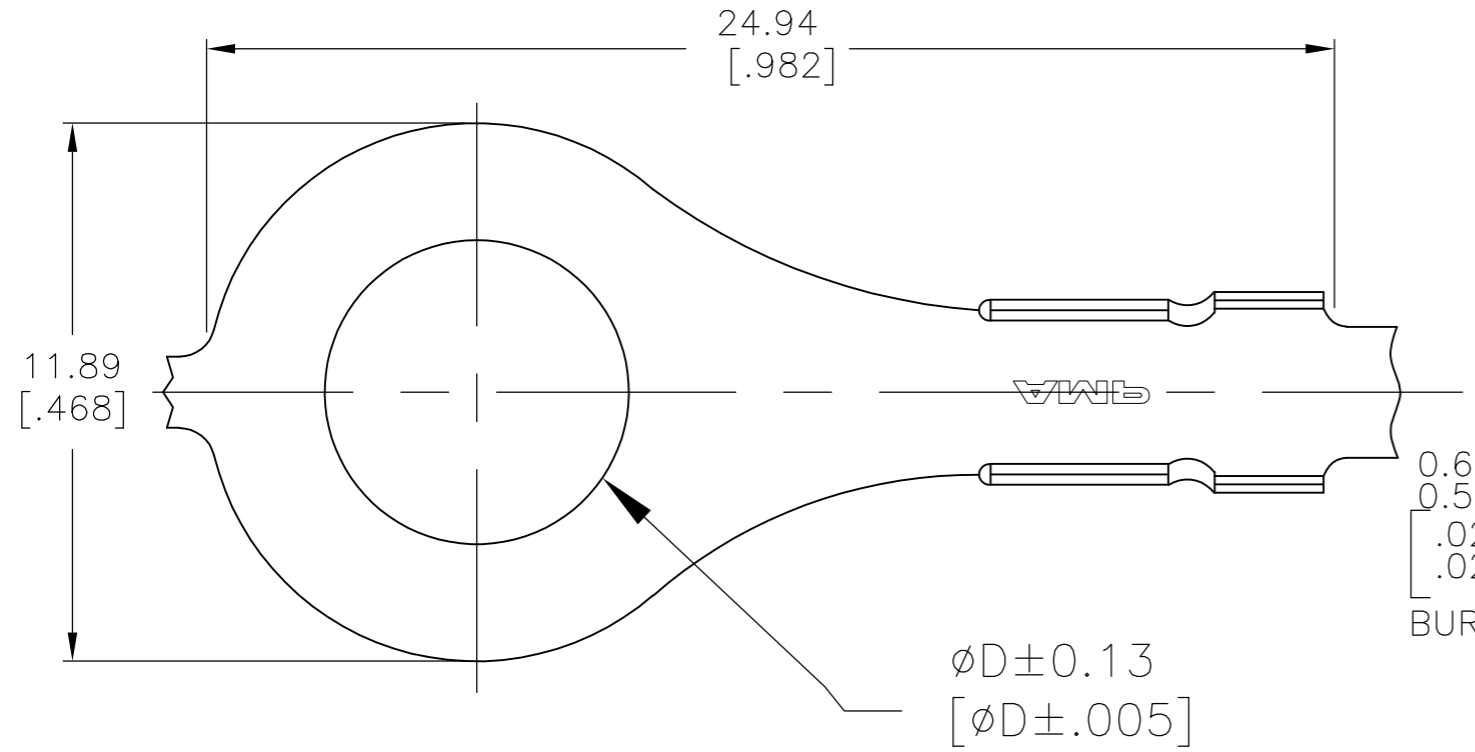
Email & Skype: info@chipsmall.com Web: www.chipsmall.com

Address: A1208, Overseas Decoration Building, #122 Zhenhua RD., Futian, Shenzhen, China



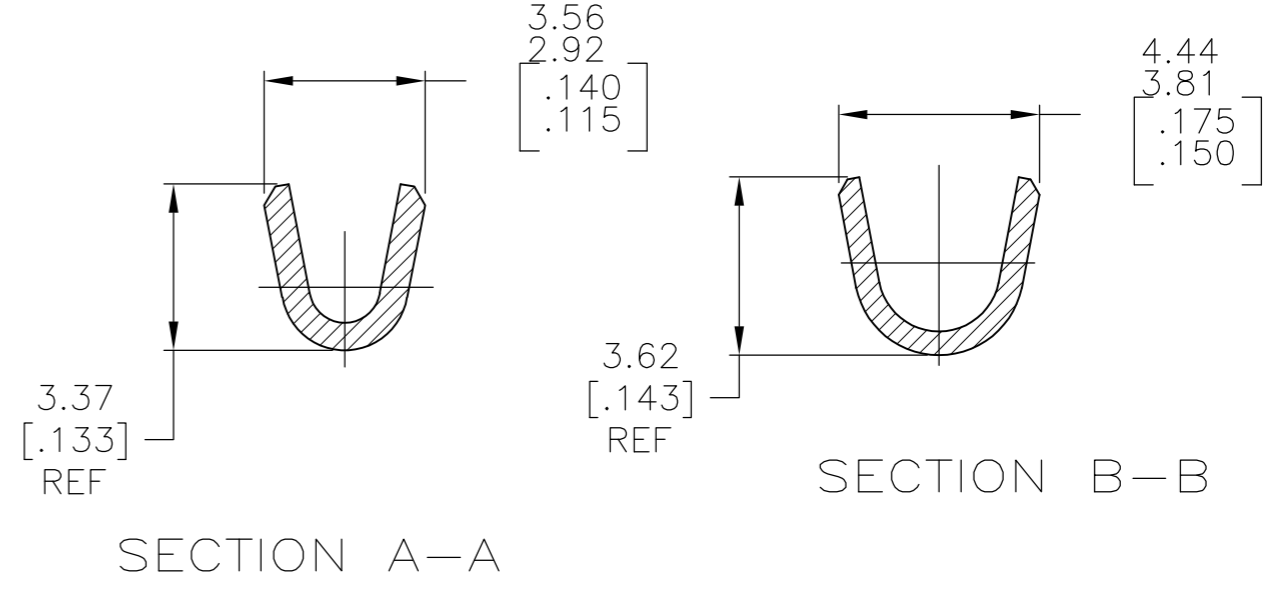
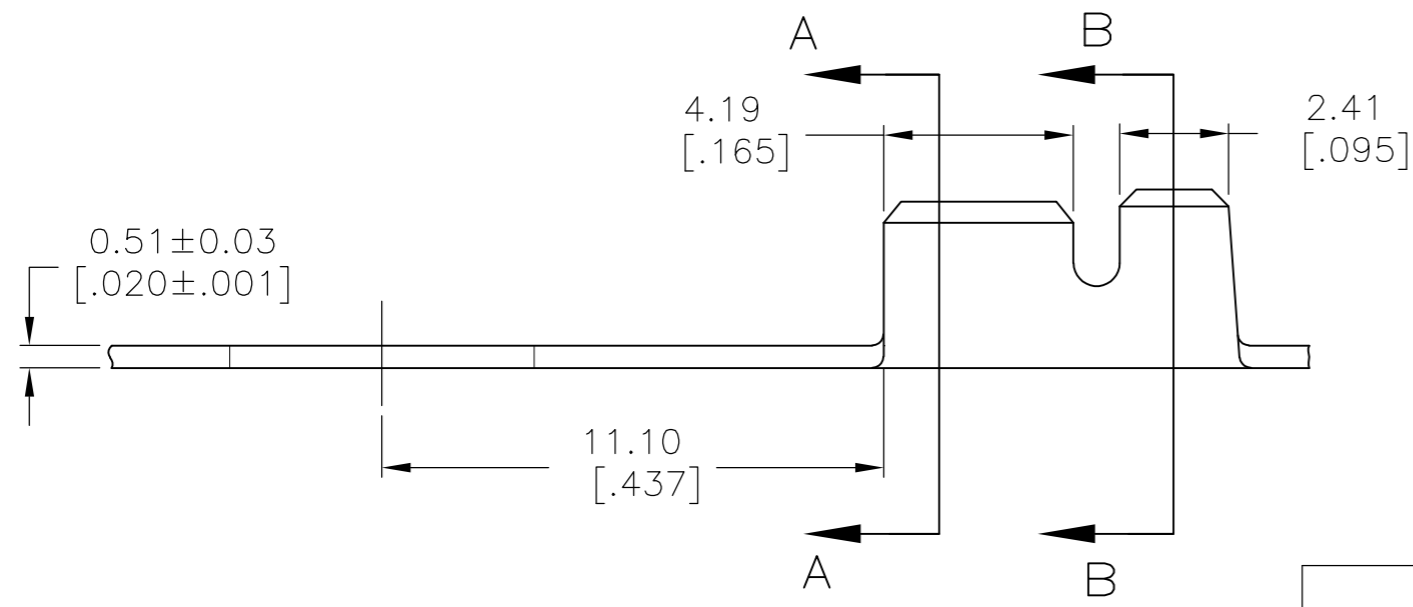
THIS DRAWING IS UNPUBLISHED. RELEASED FOR PUBLICATION  
 © COPYRIGHT BY TYCO ELECTRONICS CORPORATION. ALL RIGHTS RESERVED.

LOC	DIST	REVISIONS					
AF	50	P	LTR	DESCRIPTION	DATE	DWN	APVD
			C1	REVISED PER ECR-07-030301	09MAY08	HMR	JR



1 CONTINUOUS STRIP ON REELS

FORMED IN APPLICATOR 60700-1-S ONLY



	6.73 [.265]	M6 1/4	0.5-1.4 mm <sup>2</sup> [20-16]	2.03-3.05 [.080-.120] DIA	NONE TIN TIN	BRASS STEEL	60700-3 60700-2 60700-1
OBSOLETE	8.76 [.345]	---					
	DIM 'D'	STUD SIZE	WIRE RANGE	INSULATION RANGE	FINISH	MATERIAL	PART NO.

THIS DRAWING IS A CONTROLLED DOCUMENT.

DIMENSIONS: mm [INCHES]	TOLERANCES UNLESS OTHERWISE SPECIFIED:	DWN RAGHAVENDRA 09MAY08	Tyco Electronics Corporation Harrisburg, PA 17105-3608
	0 PLC ± -	CHK JEFF RUTH 09MAY08	
	1 PLC ± -	APVD JEFF RUTH 09MAY08	
	2 PLC ± 0.38 [.015]	PRODUCT SPEC	
	3 PLC ± -	APPLICATION SPEC	NAME
	4 PLC ± -		SIZE
	ANGLES ± 1' 0'		CAGE CODE
MATERIAL SEE TABLE	FINISH SEE TABLE	WEIGHT -	DRAWING NO A300779
			RESTRICTED TO -
			SCALE 6:1
			SHEET 1 OF 1
			REV C1

CUSTOMER DRAWING