



Chipsmall Limited consists of a professional team with an average of over 10 year of expertise in the distribution of electronic components. Based in Hongkong, we have already established firm and mutual-benefit business relationships with customers from,Europe,America and south Asia,supplying obsolete and hard-to-find components to meet their specific needs.

With the principle of “Quality Parts,Customers Priority,Honest Operation,and Considerate Service”,our business mainly focus on the distribution of electronic components. Line cards we deal with include Microchip,ALPS,ROHM,Xilinx,Pulse,ON,Everlight and Freescale. Main products comprise IC,Modules,Potentiometer,IC Socket,Relay,Connector.Our parts cover such applications as commercial,industrial, and automotives areas.

We are looking forward to setting up business relationship with you and hope to provide you with the best service and solution. Let us make a better world for our industry!



Contact us

Tel: +86-755-8981 8866 Fax: +86-755-8427 6832

Email & Skype: info@chipsmall.com Web: www.chipsmall.com

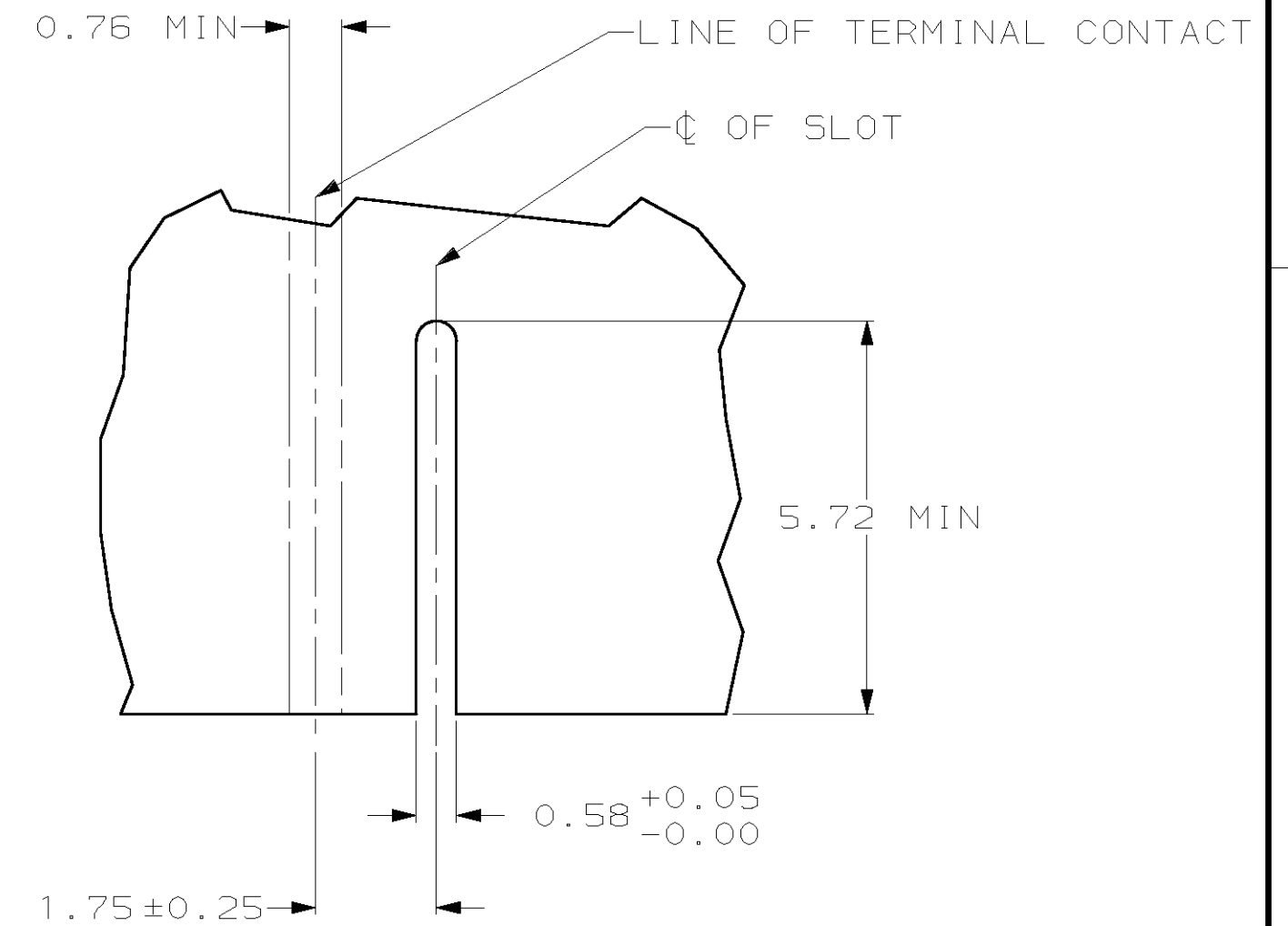
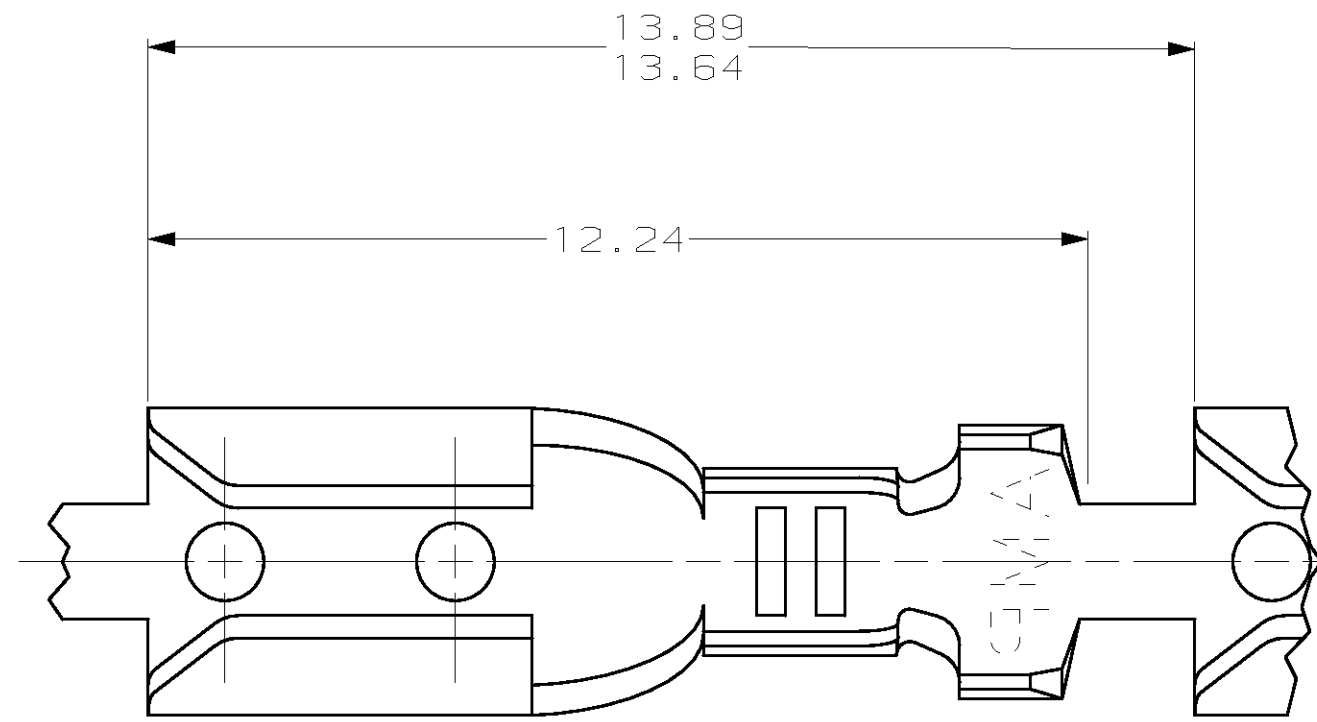
Address: A1208, Overseas Decoration Building, #122 Zhenhua RD., Futian, Shenzhen, China



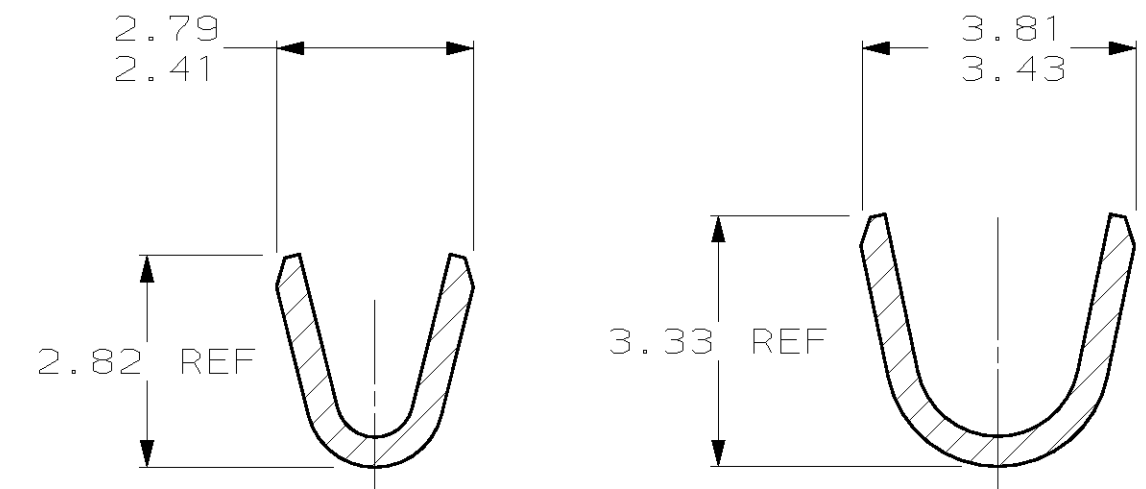
THIS DRAWING IS UNPUBLISHED. RELEASED FOR PUBLICATION
 (C) COPYRIGHT 19 BY AMP INCORPORATED. ALL RIGHTS RESERVED.

LOC		DIST		REVISIONS			
P	LTR	DESCRIPTION	DATE	DWN	APVD		
CM	52	H	REV & REDWN PER EC 0L30-0096-97	2-28-97	TB	RS	

1. WIRE RANGE: 0.4 - 0.9 MM² (22 - 18 AWG)
2. INSULATION RANGE: 2.03 - 2.54

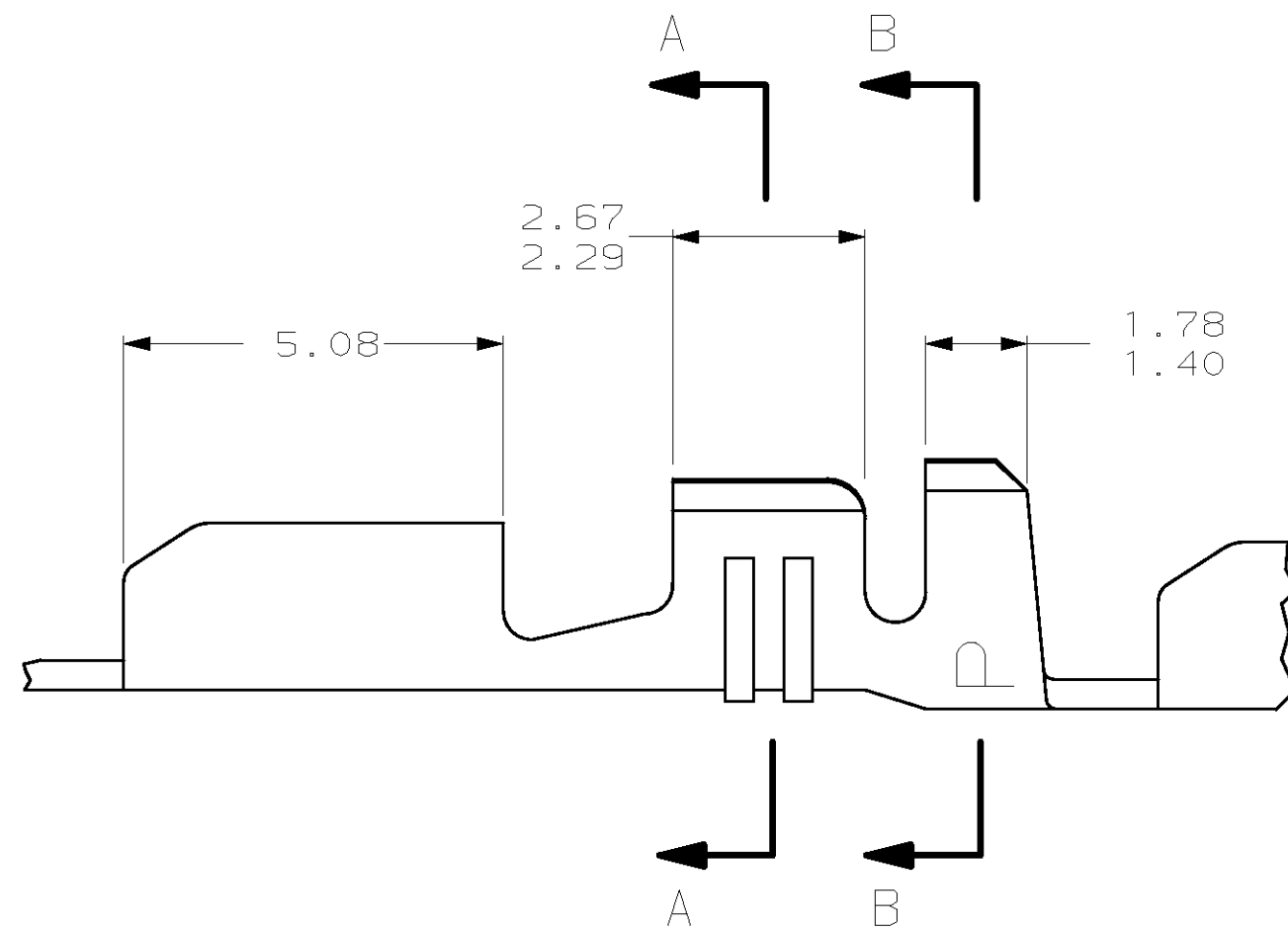
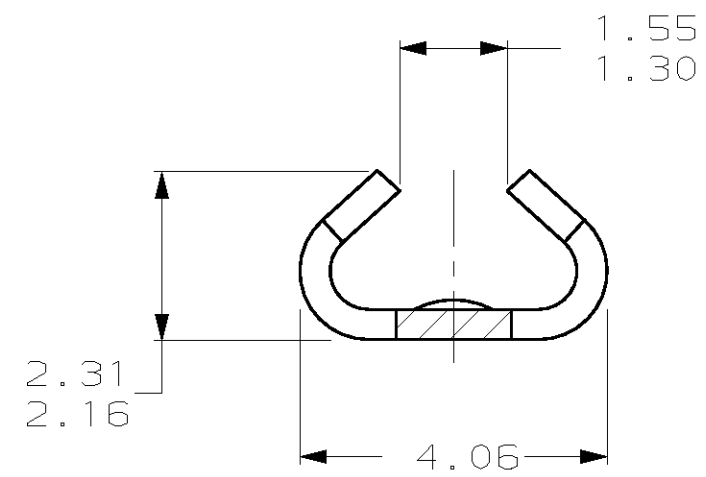


RECOMMENDED CUT OUT FOR 1.57 MAX THICK PANEL



SECTION A-A

SECTION B-B



60704

B

1.30	.051	2.29	.090	3.43	.135	-	-
0.76	.030	2.16	.085	3.33	.131	13.89	.547
0.58	.023	2.03	.080	2.82	.111	13.64	.537
0.40	.016	1.78	.070	2.79	.110	12.24	.482
0.25	.010	1.75	.069	2.67	.105	5.72	.225
0.13	.005	1.57	.062	2.54	.100	5.08	.200
0.05	.002	1.55	.061	2.41	.095	4.06	.160
0.00	.000	1.40	.055	2.31	.091	3.81	.150
MM	IN	MM	IN	MM	IN	MM	IN

CONVERSION TABLE

METRIC

60704-1
PART NUMBER

THIS DRAWING IS A CONTROLLED DOCUMENT.		DWN T. BECK 2-28-97	AMP Incorporated Harrisburg, PA 17105-3608	
DIMENSIONS: mm		CHK R. SWING 2-28-97	APVD A. BEDDICK 3-10-97	
TOLERANCES UNLESS OTHERWISE SPECIFIED: 0 PLC ± 1 PLC ± 2 PLC ±0.13 3 PLC ± 4 PLC ±		NAME TERMINAL, 22-18 AWG, .080-.100 INSULATION, AMP-EDGE™		
MATERIAL 0.40 BRASS		FINISH MATTE TIN		SIZE A2
CUSTOMER DRAWING		WEIGHT -		CAGE CODE 00779
SCALE 10:1		SHEET 1 OF 1		REV H