



Chipsmall Limited consists of a professional team with an average of over 10 year of expertise in the distribution of electronic components. Based in Hongkong, we have already established firm and mutual-benefit business relationships with customers from,Europe,America and south Asia,supplying obsolete and hard-to-find components to meet their specific needs.

With the principle of “Quality Parts,Customers Priority,Honest Operation,and Considerate Service”,our business mainly focus on the distribution of electronic components. Line cards we deal with include Microchip,ALPS,ROHM,Xilinx,Pulse,ON,Everlight and Freescale. Main products comprise IC,Modules,Potentiometer,IC Socket,Relay,Connector.Our parts cover such applications as commercial,industrial, and automotives areas.

We are looking forward to setting up business relationship with you and hope to provide you with the best service and solution. Let us make a better world for our industry!



Contact us

Tel: +86-755-8981 8866 Fax: +86-755-8427 6832

Email & Skype: info@chipsmall.com Web: www.chipsmall.com

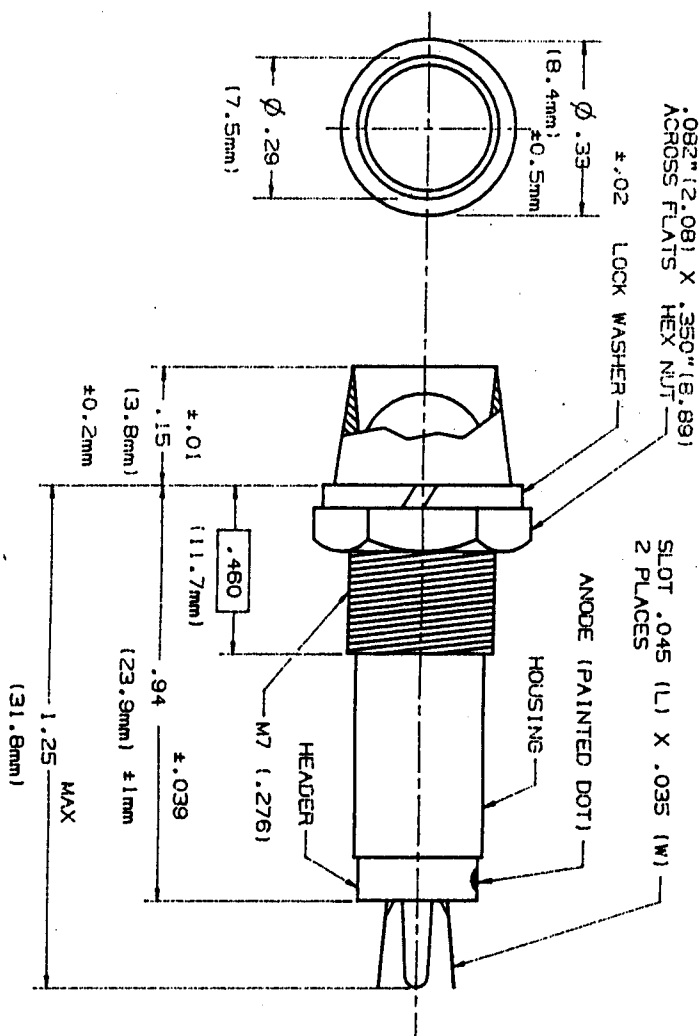
Address: A1208, Overseas Decoration Building, #122 Zhenhua RD., Futian, Shenzhen, China



NOTES:

1. MOUNTING HOLE SIZE: $\phi 7.3\text{mm}$ (1.287)
2. MAXIMUM PANEL THICKNESS: 8mm (1.236)
3. MATERIALS:
 - 3.1. METAL HOUSING: BRASS, BRIGHT CHROME PLATED.
 - 3.2. MOUNTING HEX NUT: BRASS, NICKEL PLATED.
 - 3.3. SPLIT LOCK WASHER: STEEL, NICKEL PLATED.
 - 3.4. HEADER/INSULATOR: POLYCARBONATE, COLOR: BLACK.
4. SOLDERABILITY: PER ANSI/JPC-S-805, METHOD A.

COLOR	PEAK WAVE LENGTH λ_p (nm)	RECOMMENDED OPERATING CURRENT (mA)	ABSOLUTE MAXIMUM RATINGS				ELECTRO-OPTICAL CHARACTERISTICS							
			I_f (mA)	I_{fM} (mA)	V_f (V)	Top (C)	T_{stg} (C)	STD	V_f (V) MAX	I_f (mA) MAX	I_f (mA) (VA) 95% BRIGHTNESS (MIN)	I_f (mA) (VA) 50% BRIGHTNESS (STD)		
RED	630	15	30	100	3	-30	-30	1.90	2.5	10	3	3	10	20
GREEN	560	15	30	100	3	-30	-30	1.98	2.5	10	3	3	10	20
YELLOW	587	15	30	100	3	-30	-30	1.96	2.5	10	3	1.2	1.6	10



DIALIGHT ASSEMBLY NO.	REVISION		LED COLOR	OPERATING VOLTAGE (SEE TABLE)	
	LTR	DATE			APP
607-2112-120	-A-	12JUN91	JT	RED	6 VOLT
-2212-120				GREEN	6 VOLT
-2312-120				YELLOW	6 VOLT
-2112-130				RED	12 VOLT
-2212-130				GREEN	12 VOLT
607-2312-130	-A-	12JUN91	JT	YELLOW	12 VOLT

PLOT DATE: 12JUN91		SCALE DRAWING		DATE	
CAD FILE: 607-2112-120		NONE	TSCH	ZOLANBT	
		REV	CHK'D	DATE	
		TSCH	TMAHBT		
PART NUMBER		607-2X12-1X0		REV	
C-15582		83330		SEE CHART	
DIALIGHT CORPORATION		373 Atlantic Ave.		Newark, NJ 07102	