



Chipsmall Limited consists of a professional team with an average of over 10 year of expertise in the distribution of electronic components. Based in Hongkong, we have already established firm and mutual-benefit business relationships with customers from,Europe,America and south Asia,supplying obsolete and hard-to-find components to meet their specific needs.

With the principle of "Quality Parts,Customers Priority,Honest Operation,and Considerate Service",our business mainly focus on the distribution of electronic components. Line cards we deal with include Microchip,ALPS,ROHM,Xilinx,Pulse,ON,Everlight and Freescale. Main products comprise IC,Modules,Potentiometer,IC Socket,Relay,Connector.Our parts cover such applications as commercial,industrial, and automotives areas.

We are looking forward to setting up business relationship with you and hope to provide you with the best service and solution. Let us make a better world for our industry!



Contact us

Tel: +86-755-8981 8866 Fax: +86-755-8427 6832

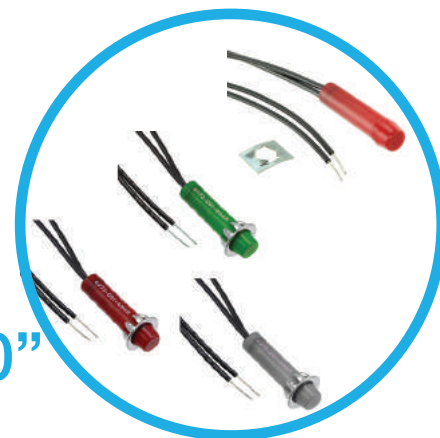
Email & Skype: info@chipsmall.com Web: www.chipsmall.com

Address: A1208, Overseas Decoration Building, #122 Zhenhua RD., Futian, Shenzhen, China





6063 and 6073 Series Panel Mount Indicator Mounting Hole 0.375" and 0.500"



6063 Series		6073 Series	
Flat Face	Conical Face	Flat face	Conical Face

All dimension in inches.

The Glo-Lite Indicator Lights are designed for applications requiring a low cost, line voltage power-on indicator. These indicator lights utilize a high brightness C2A neon lamp providing good visibility and a long life. These indicator lights are constructed with a one-piece body and lens and are available in two face configurations, flat or conical, with or without a chrome bezel.

Specifications

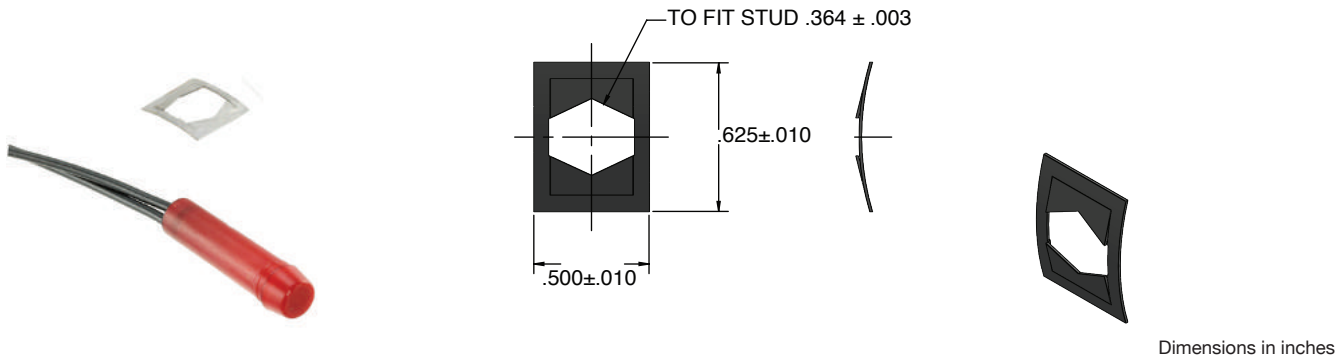
Part Number:	Description
6063-001-534R	Red, Flat Face, No Bezel. Speed Nut Included.
6063-001-634R	Red, Conical Face, No Bezel. Speed Nut Included.
6073-001-534R	Red, Flat Face, Chrome Bezel. Speed Nut not Included.
6073-001-634R	Red, Conical Face, Chrome Bezel. Speed Nut not Included.
6073-001-634G	Green, Conical Face, Chrome Bezel. Speed Nut not Included.
6073-001-634W	White, Conical Face, Chrome Bezel. Speed Nut not Included.

Mounting Hole:	.375 " for 6063 Series, .500 " for 6073 Series
Mounting Centers:	.500 " for 6063 Series, .688 " for 6073 Series
Maximum Panel Thickness:	1.25 " for 6063 Series, .078 " for 6073 Series
Housing/Lens Material:	Nylon
Bezel (6073 Series only):	Chrome Plated Brass
Wire Leads:	22 AWG, black 105°C PVC Insulation, stranded
Electrical:	125 Volts AC, Built-in 30K ohm 1/4 Watt resistor
Approvals:	UL recognized

Ordering Data

A push-on speed nut is included in the 6063 part numbers, which secures the indicator in place

- One piece, self-locking, heat-treated, spring-steel fastener that replaces threaded nut, lock washer or spanner washer.
- Eliminates time consuming assembly operations.
- Fast and easy to apply, the speed nut fastener provides maximum holding power at minimum cost per fastener.
- It does not shake loose from vibration, yet can be easily loosened without worry about rust-frozen screw threads.
- For smaller components where space is premium.
- Requires less torque than standard hex-nuts.
- Can be installed prior to painting processes so threads won't fill.



Material	
Speed Nut (one piece)	Spring steel .012 thick

Installation Specification	
Stud Size	0.364" ± .003" (9.245 mm ± 0.076 mm)

Speed nut to fit stud size .364" +/- .003", .500" +/- .010" wide x .625" +/- .010" thick.
Finish phosphate & zinc chromate

Compliance & Approvals

