



Chipsmall Limited consists of a professional team with an average of over 10 year of expertise in the distribution of electronic components. Based in Hongkong, we have already established firm and mutual-benefit business relationships with customers from,Europe,America and south Asia,supplying obsolete and hard-to-find components to meet their specific needs.

With the principle of “Quality Parts,Customers Priority,Honest Operation,and Considerate Service”,our business mainly focus on the distribution of electronic components. Line cards we deal with include Microchip,ALPS,ROHM,Xilinx,Pulse,ON,Everlight and Freescale. Main products comprise IC,Modules,Potentiometer,IC Socket,Relay,Connector.Our parts cover such applications as commercial,industrial, and automotives areas.

We are looking forward to setting up business relationship with you and hope to provide you with the best service and solution. Let us make a better world for our industry!



Contact us

Tel: +86-755-8981 8866 Fax: +86-755-8427 6832

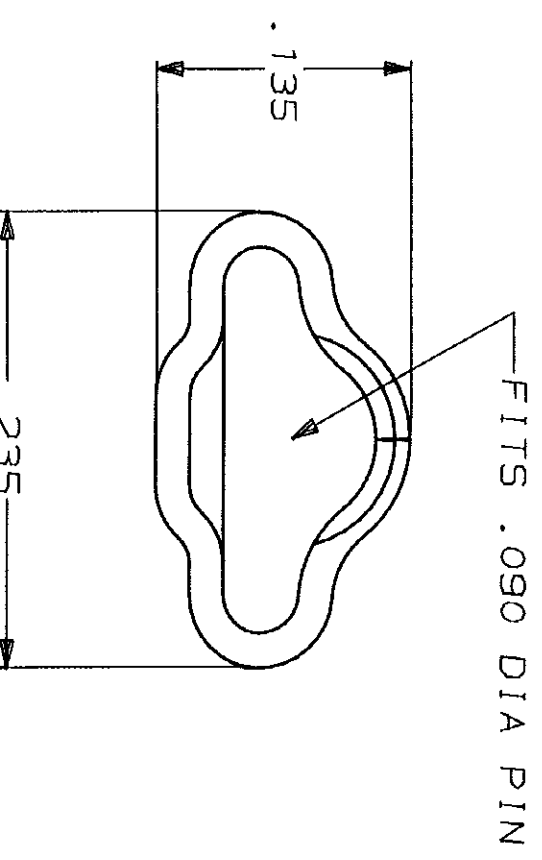
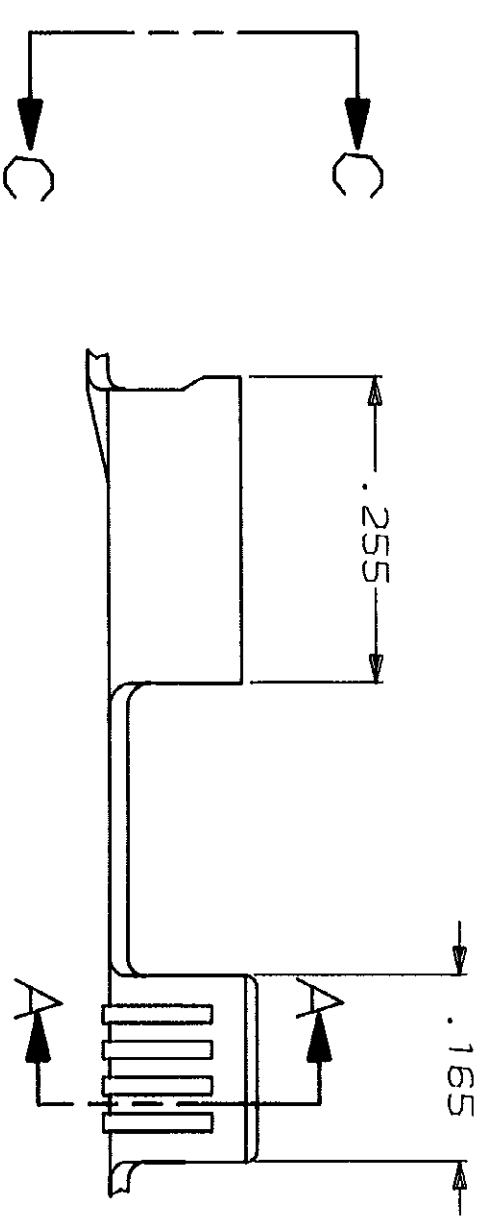
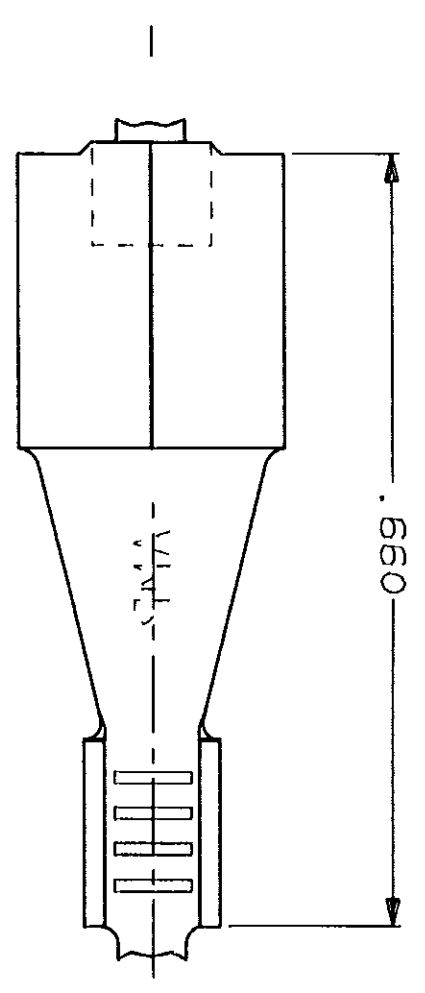
Email & Skype: info@chipsmall.com Web: www.chipsmall.com

Address: A1208, Overseas Decoration Building, #122 Zhenhua RD., Futian, Shenzhen, China

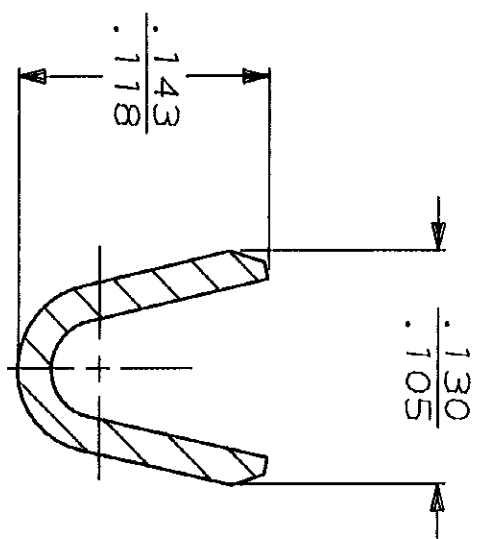


THIS DRAWING IS UNPUBLISHED. RELEASED FOR PUBLICATION BY AMP INCORPORATED. ALL INTERNATIONAL RIGHTS RESERVED. © COPYRIGHT 19 19

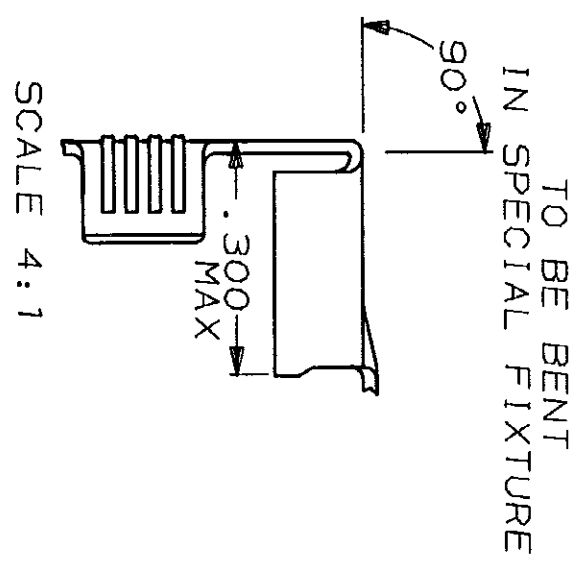
LOC	DIST	P	F	ZONE	LTR	REVISIONS	DATE	APPD
AF	50				C	REDRAWN PER AF-6482	4/11/90	PPF/JR



VIEW C-C
SCALE 10:1



SECTION A-A
SCALE 10:1



SCALE 4:1

STRIP LENGTH ±.015	TYPE	WIDTH	HEIGHT ±.002	WIRE
.225	F	.090	.074	16
			.067	18
			.062	20

WIRE BARREL CRIMP

DO NOT SCALE PRINT. UNLESS SPECIFIED DIMENSION IN INCHES TOLERANCES ON: 1 PLC DEC ± .015 2 PLC DEC ± .015 3 PLC DEC ± .015 ANGLES ± 1°	DR 4/11/90 P FORTNEY
MATERIAL #3 HARD PHOS BRONZE	CHK 4/11/90 JR RUTH
FINISH .00080 MIN TIN PL PER MIL-T-10727	APPD 4/11/90 G VETTER
	APPD 4/11/90 R KIZO
	PRODUCT SPEC
	APPLICATION SPEC
	WEIGHT -

20-16 AWG	60733-1
WIRE RANGE	PART NO
AMP	AMP Incorporated Harrisburg, PA 17105-3608
NAME PIN RECEPTACLE, .090 DIA	
SIZE B	DRAWING NO 60733
CAGE CODE 00779	SHEET 1 OF 1
SCALE 6:1	