



Chipsmall Limited consists of a professional team with an average of over 10 year of expertise in the distribution of electronic components. Based in Hongkong, we have already established firm and mutual-benefit business relationships with customers from,Europe,America and south Asia,supplying obsolete and hard-to-find components to meet their specific needs.

With the principle of “Quality Parts,Customers Priority,Honest Operation,and Considerate Service”,our business mainly focus on the distribution of electronic components. Line cards we deal with include Microchip,ALPS,ROHM,Xilinx,Pulse,ON,Everlight and Freescale. Main products comprise IC,Modules,Potentiometer,IC Socket,Relay,Connector.Our parts cover such applications as commercial,industrial, and automotives areas.

We are looking forward to setting up business relationship with you and hope to provide you with the best service and solution. Let us make a better world for our industry!



Contact us

Tel: +86-755-8981 8866 Fax: +86-755-8427 6832

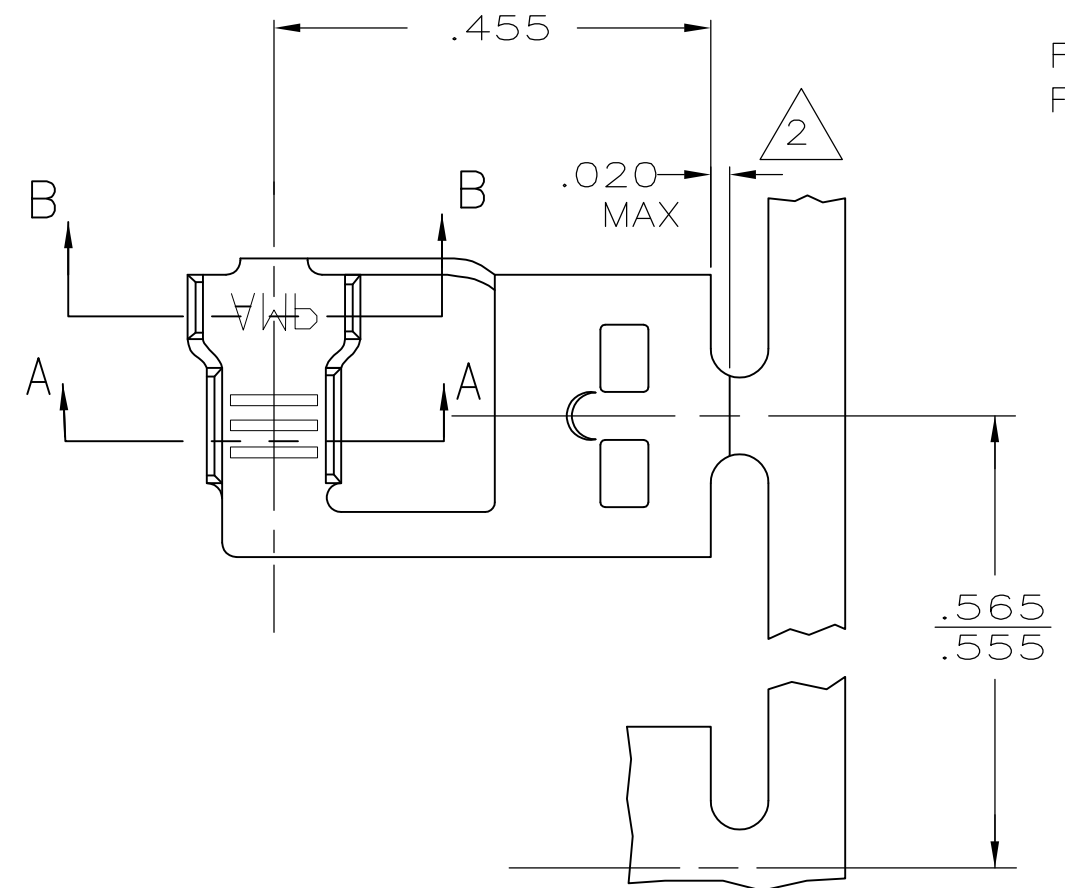
Email & Skype: info@chipsmall.com Web: www.chipsmall.com

Address: A1208, Overseas Decoration Building, #122 Zhenhua RD., Futian, Shenzhen, China

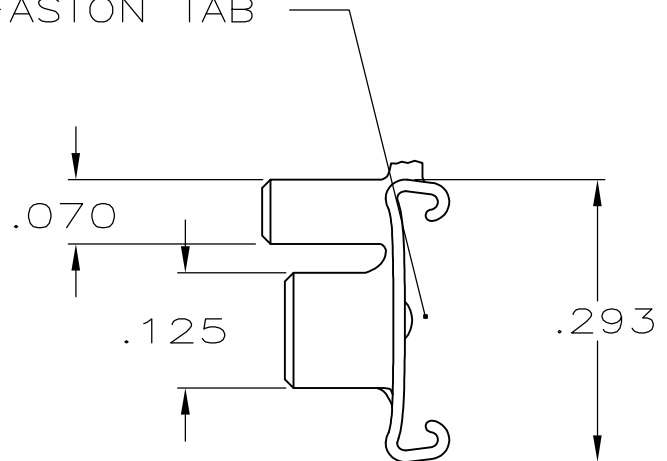


THIS DRAWING IS UNPUBLISHED. RELEASED FOR PUBLICATION
 © COPYRIGHT - By - ALL RIGHTS RESERVED.

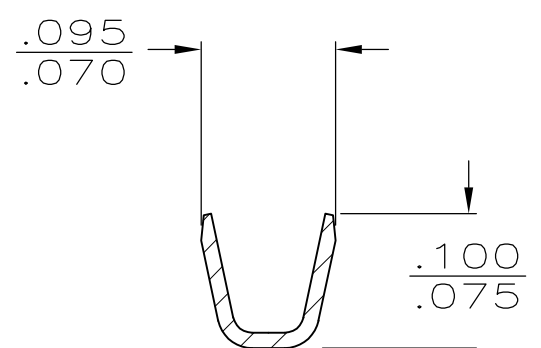
LOC	DIST	REVISIONS					
AF	50	P	LTR	DESCRIPTION	DATE	DWN	APVD
			H	REVISED PER ECR-12-013445	09NOV12	KH	PD



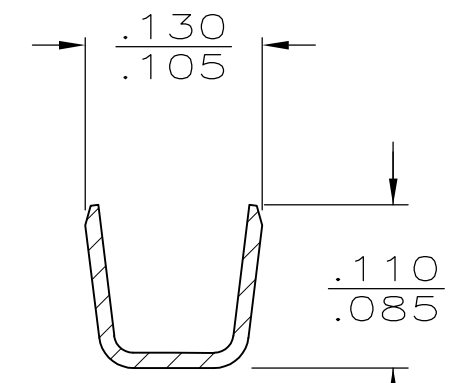
FITS .250 SERIES FASTON TAB



- 1 CONTINUOUS STRIP ON REELS.
- 2 FOR LOOSE PIECE ONLY



SECTION A-A



SECTION B-B

	60811-2	.048-.078	24-20	.032	TIN	BRASS	60736-2
OBSOLETE	60811-1	.048-.078	24-20	.032		.016 4M BRASS	60736-1
	LOOSE PIECE	INSUL RANGE	WIRE SIZE	TAB THK±.001	FINISH	MATERIAL	PART NO.

F	.090	.188	F	.062	.054	20
					.051	22
					.048	24
TYPE	WIDTH	STRIP LENGTH ±.015	TYPE	WIDTH	±.002 HEIGHT	WIRE
INSUL BARREL CRIMP			WIRE BARREL CRIMP			

THIS DRAWING IS A CONTROLLED DOCUMENT.

DWN	JR RUTH	10/4/85
CHK	MS FEHER	10/4/85
APVD	C MEYERS	10/4/85
PRODUCT SPEC	-	
APPLICATION SPEC	114-2079	
WEIGHT	-	
CUSTOMER DRAWING		

STE TE Connectivity

NAME: .250 SERIES FLAG FASTON RECEPTACLE

SIZE	CAGE CODE	DRAWING NO	RESTRICTED TO
A3	00779	C-60736	-

SCALE: NTS SHEET: 1 OF 1 REV: H