



Chipsmall Limited consists of a professional team with an average of over 10 year of expertise in the distribution of electronic components. Based in Hongkong, we have already established firm and mutual-benefit business relationships with customers from,Europe,America and south Asia,supplying obsolete and hard-to-find components to meet their specific needs.

With the principle of “Quality Parts,Customers Priority,Honest Operation,and Considerate Service”,our business mainly focus on the distribution of electronic components. Line cards we deal with include Microchip,ALPS,ROHM,Xilinx,Pulse,ON,Everlight and Freescale. Main products comprise IC,Modules,Potentiometer,IC Socket,Relay,Connector.Our parts cover such applications as commercial,industrial, and automotives areas.

We are looking forward to setting up business relationship with you and hope to provide you with the best service and solution. Let us make a better world for our industry!



Contact us

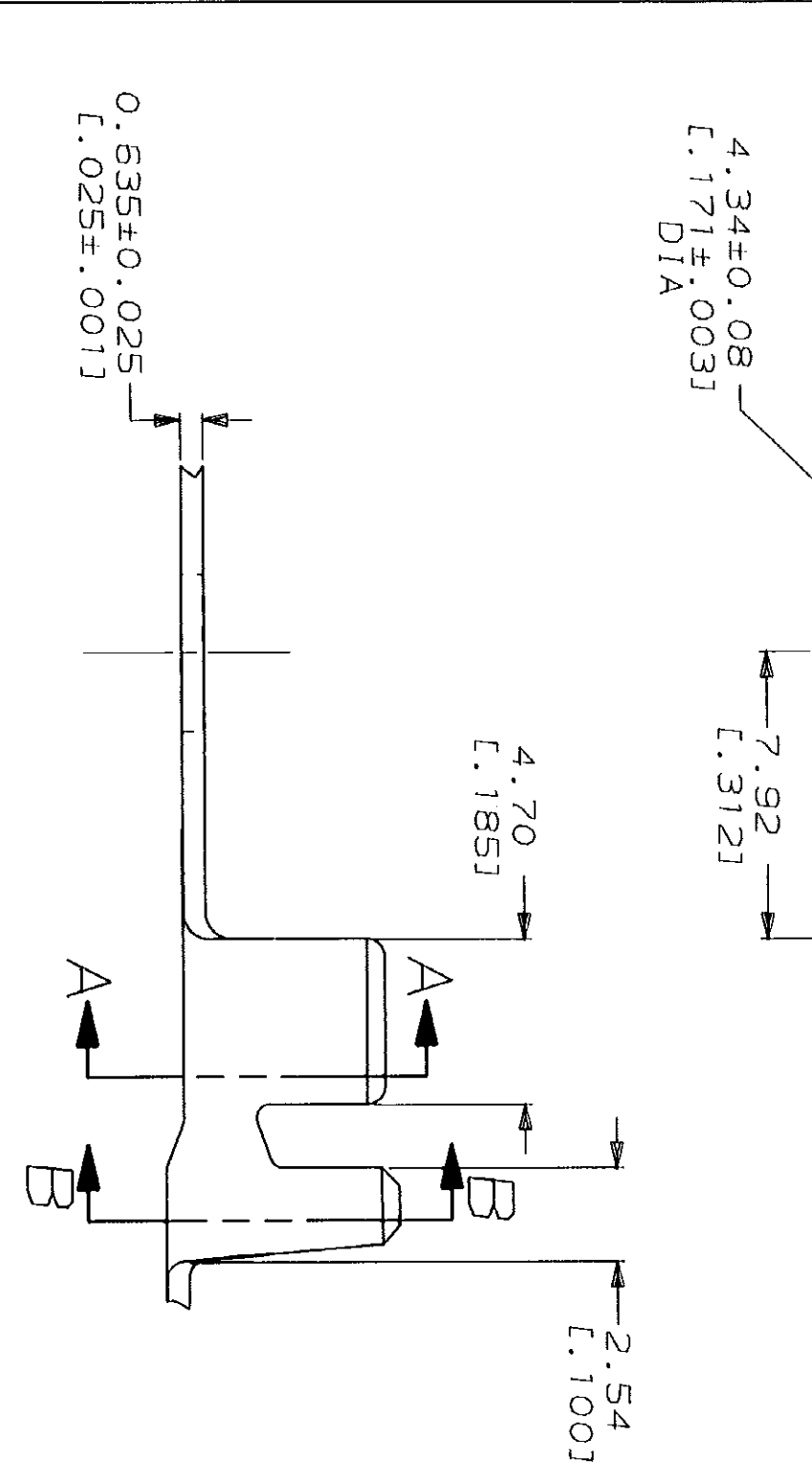
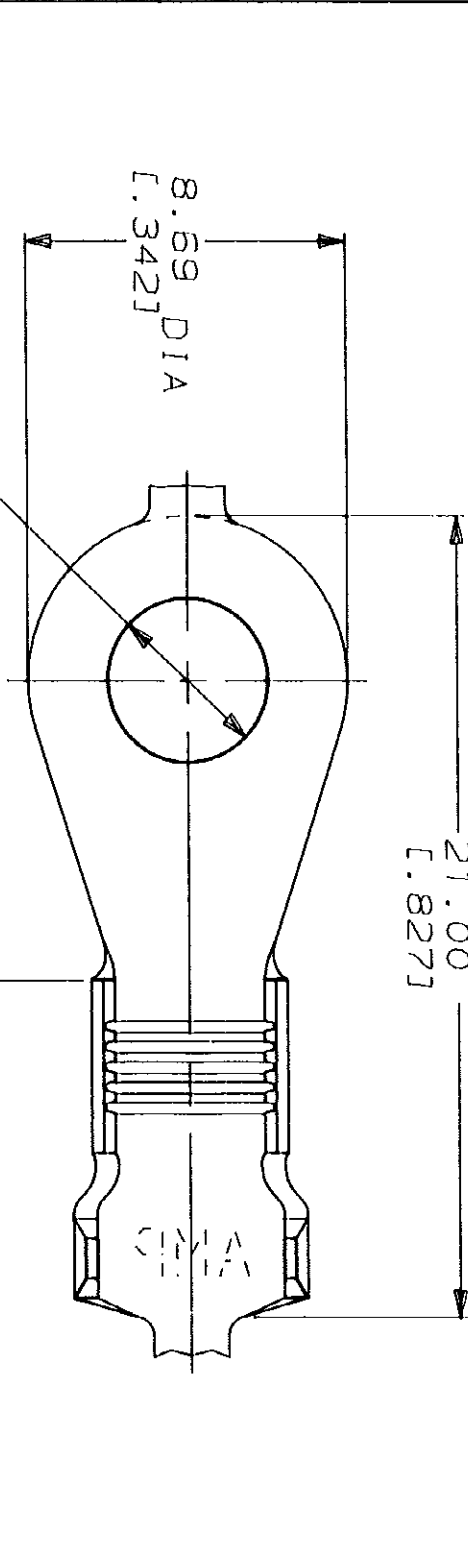
Tel: +86-755-8981 8866 Fax: +86-755-8427 6832

Email & Skype: info@chipsmall.com Web: www.chipsmall.com

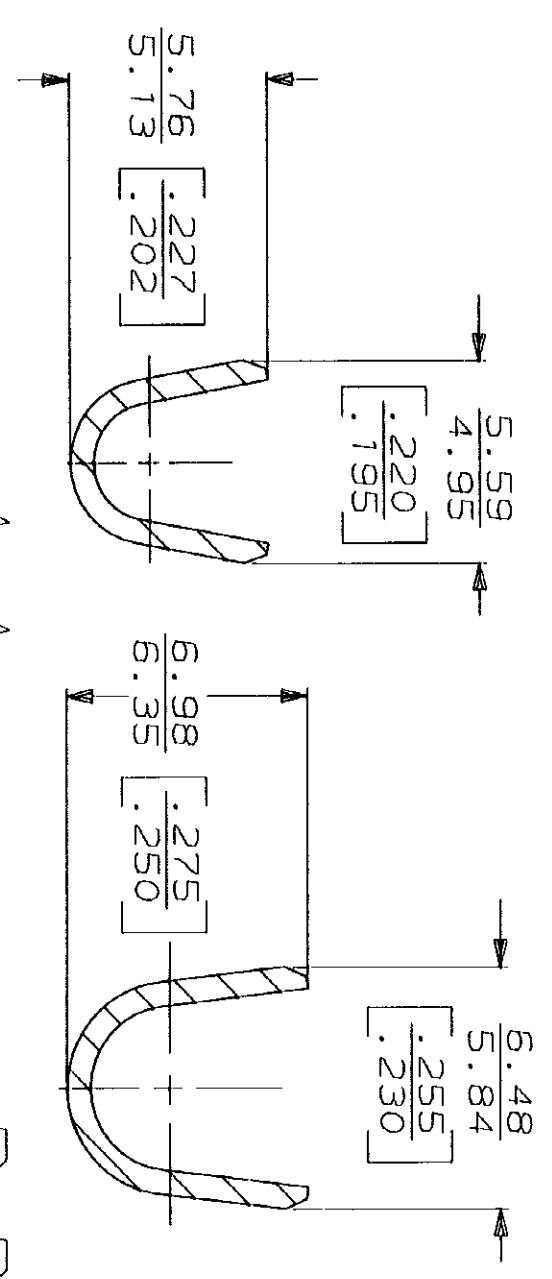
Address: A1208, Overseas Decoration Building, #122 Zhenhua RD., Futian, Shenzhen, China



LOC	DIST	P	F	ZONE	LTR	REVISIONS	DATE	APPD
AF	50				E	REDRAWN PER AF-7459	5/30/91	PF/MF

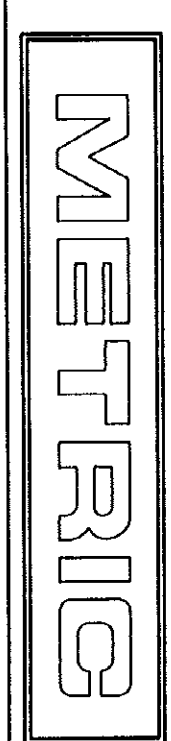


1 CONTINUOUS STRIP ON REELS.



3.81-4.83 [L.150-.190] DIA (2) 2.92 [L.1157] OR	(2) 1.15mm ² [L177] AWG OR (2) 1.45mm ² [L157] AWG	60752-2
--	--	---------

INSULATION RANGE	MAGNET WIRE RANGE	PART NO
DO NOT SCALE PRINT. UNLESS SPECIFIED DIMENSIONS IN mm (INCHES) TOLERANCES ON: 2 PLC DEC = 0.38 (L.015) 3 PLC DEC = - ANGLES = -	DR 5/30/91 P FORTNEY CHK 5/30/91 MS FEEHER APPD 5/30/91 G VETTER APPD 5/30/91 R MEAVILL PRODUCT SPEC	AMP Incorporated Harrisburg, PA 17105-3608
MATERIAL 082 BRASS	NAME RING, AMPLIVAR	



FINISH 0.002032 [L.000080] MIN TIN PL PER MIL-T-10727	APPLICATION SPEC	SCALE 5:1	SIZE B	CAGE CODE 00779	DRAWING NO 60752
WEIGHT -					SHEET 1 OF 1