



Chipsmall Limited consists of a professional team with an average of over 10 year of expertise in the distribution of electronic components. Based in Hongkong, we have already established firm and mutual-benefit business relationships with customers from,Europe,America and south Asia,supplying obsolete and hard-to-find components to meet their specific needs.

With the principle of "Quality Parts,Customers Priority,Honest Operation,and Considerate Service",our business mainly focus on the distribution of electronic components. Line cards we deal with include Microchip,ALPS,ROHM,Xilinx,Pulse,ON,Everlight and Freescale. Main products comprise IC,Modules,Potentiometer,IC Socket,Relay,Connector.Our parts cover such applications as commercial,industrial, and automotives areas.

We are looking forward to setting up business relationship with you and hope to provide you with the best service and solution. Let us make a better world for our industry!



Contact us

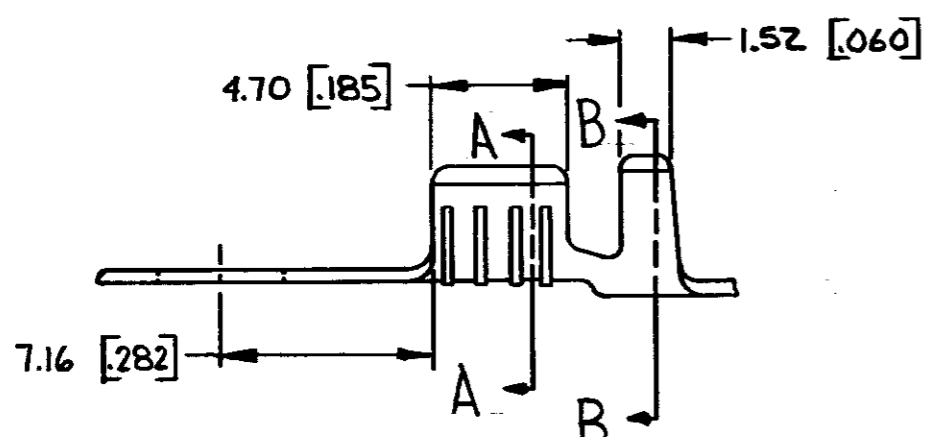
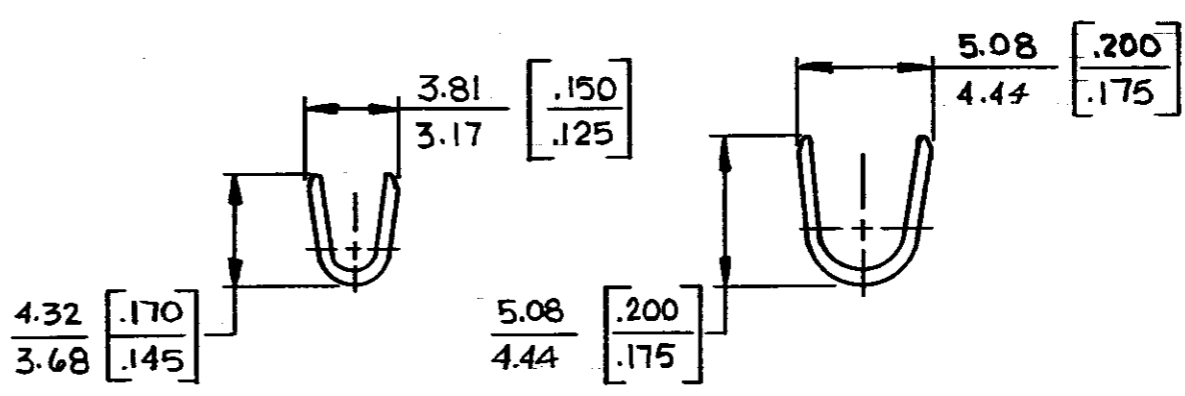
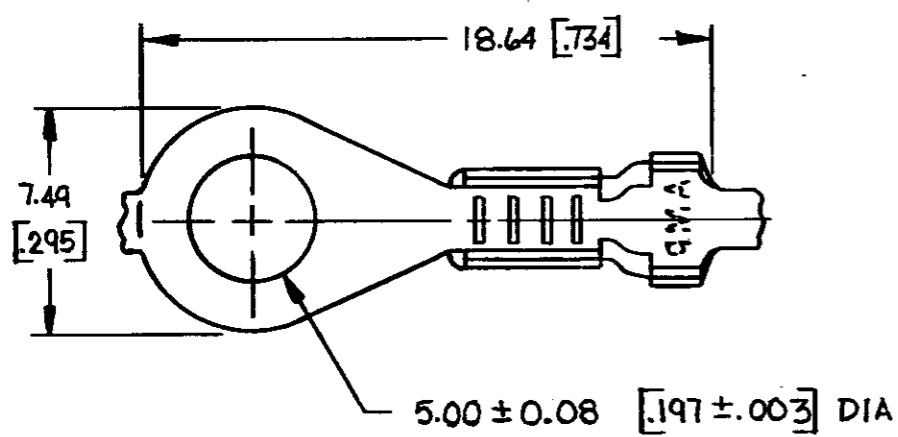
Tel: +86-755-8981 8866 Fax: +86-755-8427 6832

Email & Skype: info@chipsmall.com Web: www.chipsmall.com

Address: A1208, Overseas Decoration Building, #122 Zhenhua RD., Futian, Shenzhen, China



REVISIONS						
P	F	ZONE	LTR	DESCRIPTION	DATE	APPROVED
			F1	REVISED PER ECO-11-005294	13APR11	HMR



"U"-S DOWN	—	0.8-2.0mm ²	2.54 - 3.56	TIN	↑	60772-3
"U"-S UP	#10	[18 - 14]	[.100 - .140]	TIN	↑	60772-2
"U"-S UP				NONE	0.46 [.018] BRASS	60772-1
REEL DIRECTION	STUD SIZE	WIRE RANGE	INSULATION RANGE	FINISH	MATERIAL	PART NO
REMARKS						

UNLESS OTHERWISE SPECIFIED DIMENSIONS ARE IN INCHES mm TOLERANCES ON: DECIMALS ±0.38 [.015] ANGLES ±1° 0'	CONTRACT NO		STE TE Connectivity			
	DR <i>D. Adin</i> 6-26-78					
	MATERIAL		NAME			
	SEE TABLE		RING			
FINISH	CONTRACT NO		SIZE	CODE IDENT NO	DRAWING NO	
	OTHER APPD		B	00779	60772	
			SCALE		SHEET	

- CONTINUOUS STRIP ON REELS
- DIMENSIONS IN BRACKETS ARE IN INCHES

METRIC