



Chipsmall Limited consists of a professional team with an average of over 10 year of expertise in the distribution of electronic components. Based in Hongkong, we have already established firm and mutual-benefit business relationships with customers from,Europe,America and south Asia,supplying obsolete and hard-to-find components to meet their specific needs.

With the principle of "Quality Parts,Customers Priority,Honest Operation,and Considerate Service",our business mainly focus on the distribution of electronic components. Line cards we deal with include Microchip,ALPS,ROHM,Xilinx,Pulse,ON,Everlight and Freescale. Main products comprise IC,Modules,Potentiometer,IC Socket,Relay,Connector.Our parts cover such applications as commercial,industrial, and automotives areas.

We are looking forward to setting up business relationship with you and hope to provide you with the best service and solution. Let us make a better world for our industry!



Contact us

Tel: +86-755-8981 8866 Fax: +86-755-8427 6832

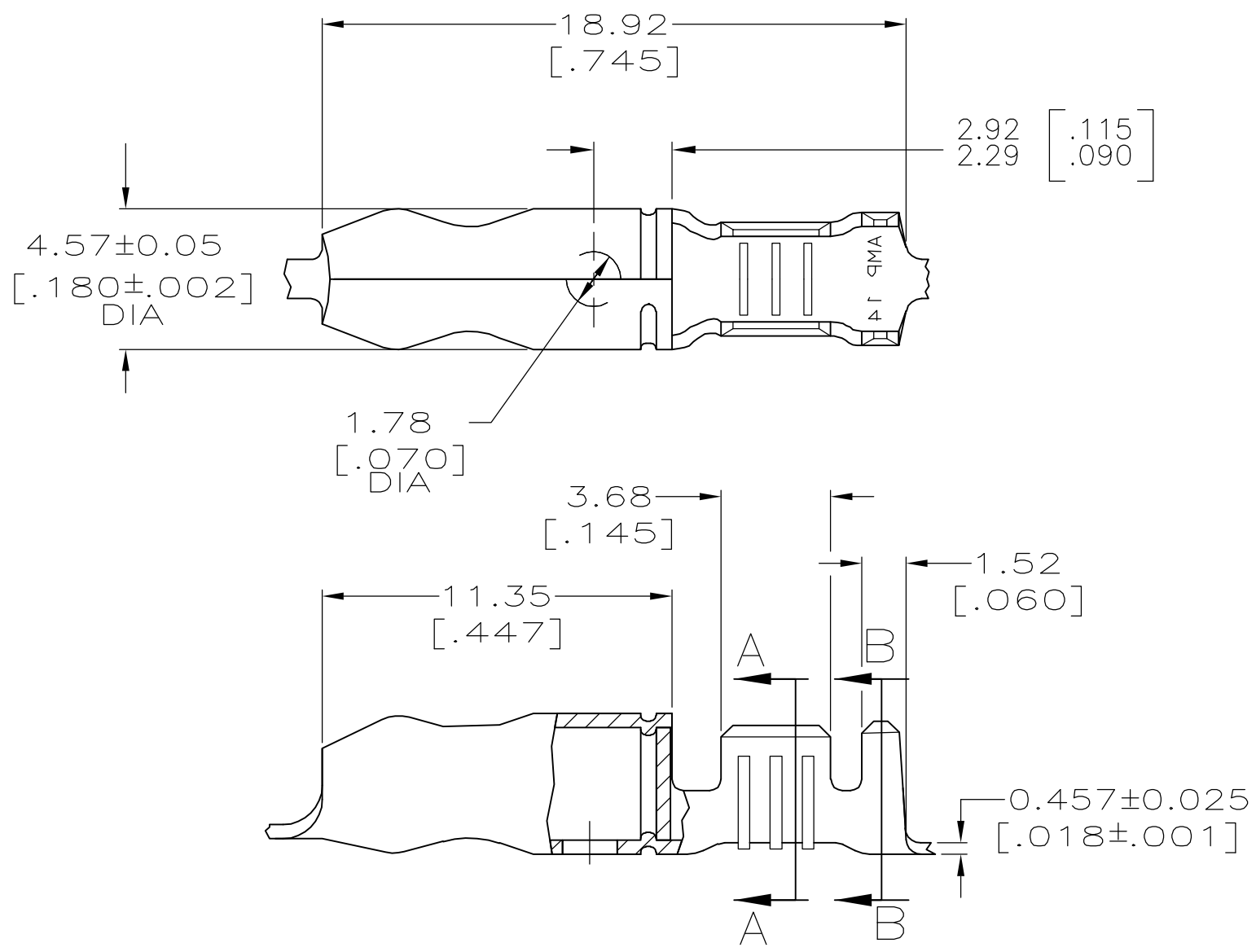
Email & Skype: info@chipsmall.com Web: www.chipsmall.com

Address: A1208, Overseas Decoration Building, #122 Zhenhua RD., Futian, Shenzhen, China

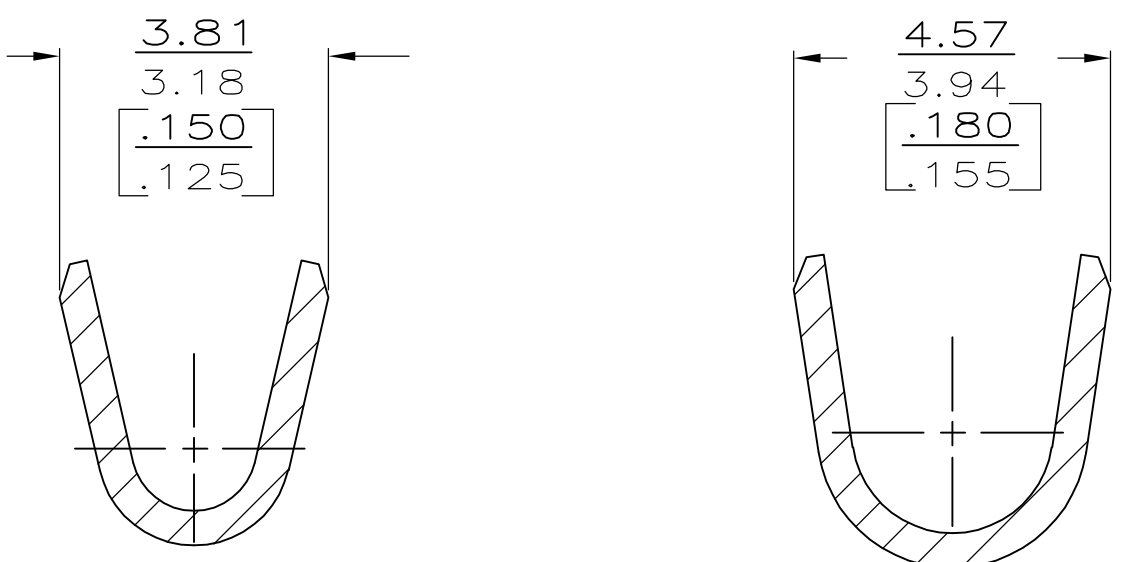


THIS DRAWING IS UNPUBLISHED. RELEASED FOR PUBLICATION
 © COPYRIGHT BY TYCO ELECTRONICS CORPORATION. ALL RIGHTS RESERVED.

LOC	DIST	REVISIONS					
AF	50	P	LTR	DESCRIPTION	DATE	DWN	APVD
			R1	REVISED PER ECR-06028057	03JAN07	MF	DD



- 1 CONTINUOUS STRIP ON REEL.
- △2 0.002032 [.000080] MIN TIN PLATE.
- △3 0.002032 [.000080] MIN TIN PLATE OVER 0.00127 [.000050] MIN NICKEL UNDERPLATE.
- △4 WITH INTERLEAVING PAPER
- △5 0.00508 [.000200] MIN SILVER PLATE OVER 0.00127 [.000050] MIN NICKEL PLATE
- △6 0.000762 [.000030] MIN GOLD OVER 0.00127 [.000050] MIN NICKEL UNDERPLATE.
- 7 WIRE SIZE IS [#18-#14] AWG
- 8 INSULATION RANGE IS 2.29-3.18 [.090-.125] DIA
- △9 PRELIMINARY - NOT FOR PRODUCTION



SECTION A-A
SCALE 10:1

SECTION B-B
SCALE 10:1

△5	081 BRASS	△9	60793-7
△6	081 BRASS	△9	60793-6
△2	081 BERYLLIUM COPPER	△9	60793-5 △4
△2	081 BRASS		60793-4
△3	081 BRASS		60793-3
△2	081 BRASS		60793-1
FINISH	MATERIAL	PART NUMBER	

THIS DRAWING IS A CONTROLLED DOCUMENT.		DWN 11/NOV/96 PHILLIP M FORTNEY	Tyco Electronics Corporation Harrisburg, Pa 17105-3608	
DIMENSIONS: mm [INCHES]		CHK 11/NOV/96 JEFF R RUTH		
TOLERANCES UNLESS OTHERWISE SPECIFIED:		APVD 11/NOV/96 GARY YETTER	NAME SHUR PLUG, 4.57 [.180] DIA	
0 PLC ± -		PRODUCT SPEC	-	
1 PLC ± -		APPLICATION SPEC	-	
2 PLC ± 0.25 [.010]		WEIGHT	-	
3 PLC ± -		CUSTOMER DRAWING	SIZE A3	CAGE CODE 00779
4 PLC ± -			DRAWING NO C-60793	RESTRICTED TO -
ANGLES ± -			SCALE 5:1	SHEET 1 OF 1
MATERIAL SEE TABLE	FINISH SEE TABLE			REV R1