



Chipsmall Limited consists of a professional team with an average of over 10 year of expertise in the distribution of electronic components. Based in Hongkong, we have already established firm and mutual-benefit business relationships with customers from,Europe,America and south Asia,supplying obsolete and hard-to-find components to meet their specific needs.

With the principle of “Quality Parts,Customers Priority,Honest Operation,and Considerate Service”,our business mainly focus on the distribution of electronic components. Line cards we deal with include Microchip,ALPS,ROHM,Xilinx,Pulse,ON,Everlight and Freescale. Main products comprise IC,Modules,Potentiometer,IC Socket,Relay,Connector.Our parts cover such applications as commercial,industrial, and automotives areas.

We are looking forward to setting up business relationship with you and hope to provide you with the best service and solution. Let us make a better world for our industry!



Contact us

Tel: +86-755-8981 8866 Fax: +86-755-8427 6832

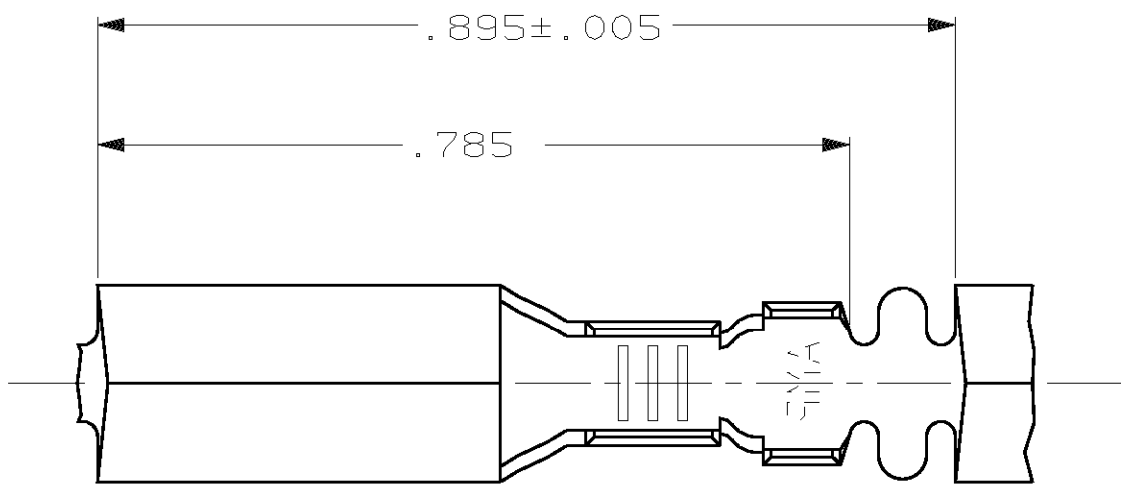
Email & Skype: info@chipsmall.com Web: www.chipsmall.com

Address: A1208, Overseas Decoration Building, #122 Zhenhua RD., Futian, Shenzhen, China

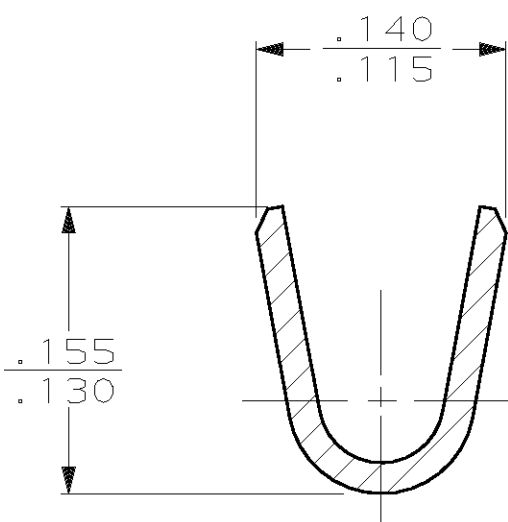
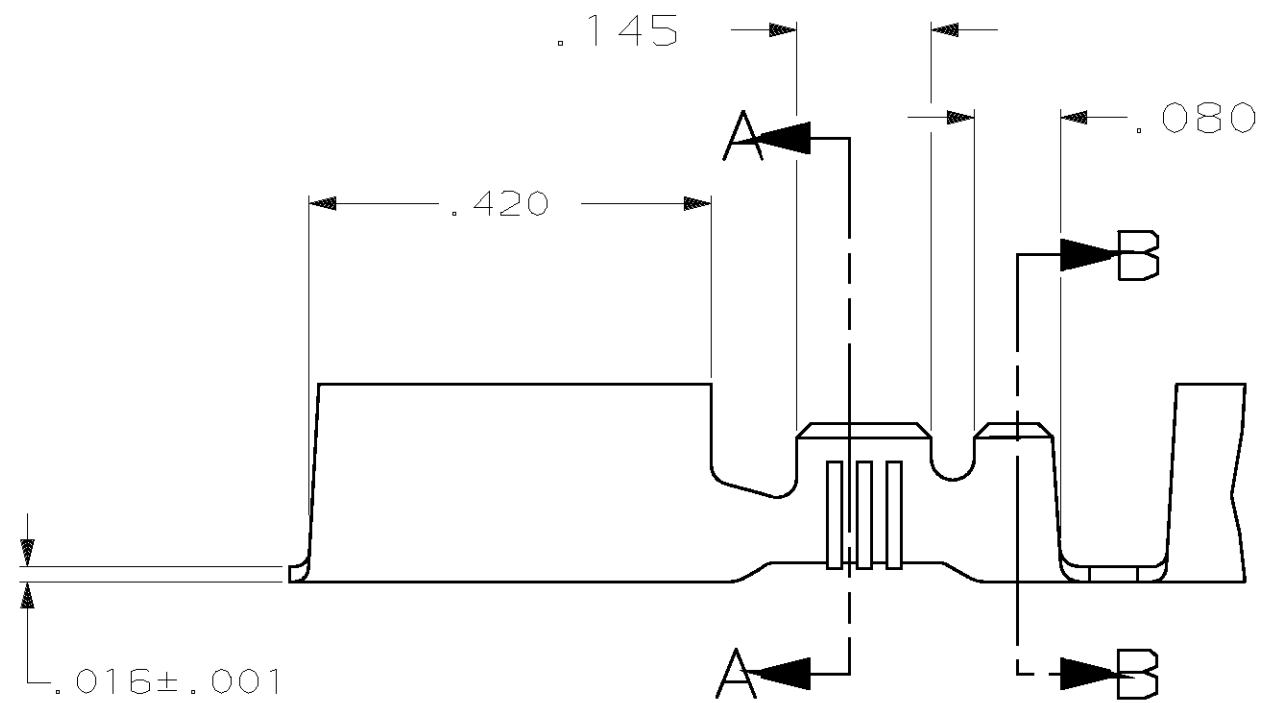
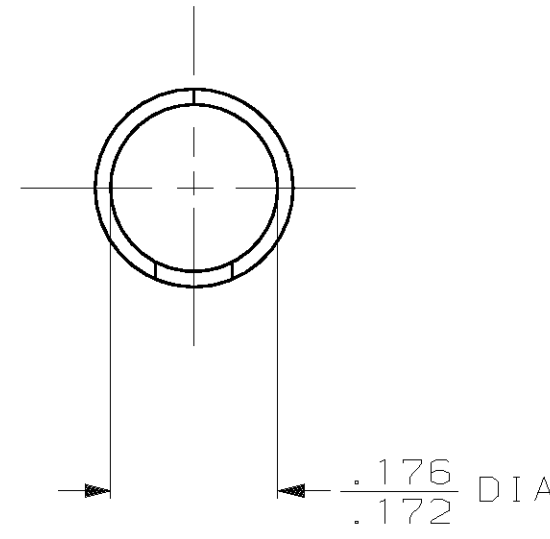


THIS DRAWING IS UNPUBLISHED. RELEASED FOR PUBLICATION
 © COPYRIGHT 19 BY AMP INCORPORATED. ALL INTERNATIONAL RIGHTS RESERVED.

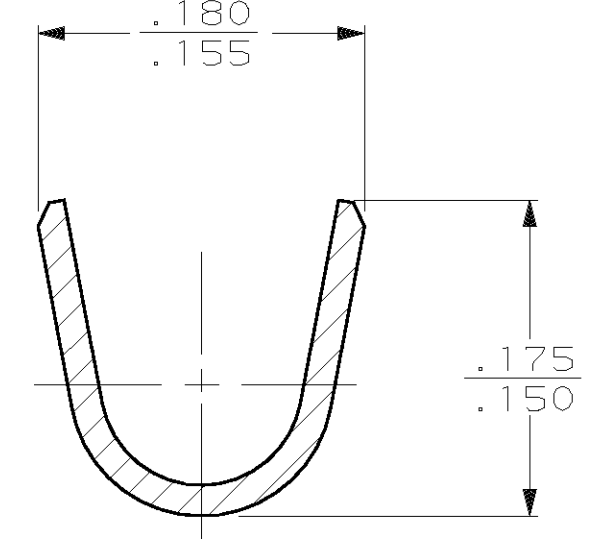
LOC		DIST		P		F		REVISIONS		DATE	APPD
ZONE	LTR	DESCRIPTION									
AF	50							5	REV PER 0G3A-0403-01	28 Jun 01	JR/DD



- 1 CONTINUOUS STRIP ON REELS
- 2 PRE-PLATE .000100 MIN TIN OVER .000050 MIN NICKEL, POST PLATE .000080 MIN TIN PER MIL-T-10727
- 3 .000080 MIN TIN PL PER MIL-T-10727.
- 4 WITH INTERLEAVING PAPER.
- 5 PRELIMINARY - NOT FOR PRODUCTION.



SECTION A-A
SCALE 10:1



SECTION B-B
SCALE 10:1

MATERIAL	FINISH	INSULATION DIA	WIRE RANGE	PART NO
4M BRASS	3	.090-.125	18-14	4 60799-6
4M BRASS	3			5 60799-5
PHOS BRONZE	2			60799-4
4M BRASS				60799-2

TYPE	WIDTH	STRIP LENGTH ±.015	TYPE	WIDTH	±.002 HEIGHT	WIRE
F OR O	.140	.210	F	.100	.077	14
					.067	16
					.061	18
INSUL BARREL CRIMP			WIRE BARREL CRIMP			

DO NOT SCALE PRINT. UNLESS SPECIFIED DIMENSIONS IN INCHES TOLERANCES ON :	DR 12/13/88 P FORTNEY
2 PLC DEC ± -	CHK 6/14/89 MS FEHER
3 PLC DEC ± .015	APPD 6/14/89 G YETTER
ANGLES ± 1°	APPD 6/14/89 R KUZO
MATERIAL SEE TABLE	PRODUCT SPEC -
FINISH SEE TABLE	APPLICATION SPEC -
	WEIGHT -

AMP INCORPORATED Harrisburg, Pa. 17105		
NAME		
RECEPTACLE, SHUR PLUG, .180 DIA		
SIZE	FSCM NO	DRAWING NO
C	00779	60799
SCALE	5:1	SHEET
		1 OF 1