



Chipsmall Limited consists of a professional team with an average of over 10 year of expertise in the distribution of electronic components. Based in Hongkong, we have already established firm and mutual-benefit business relationships with customers from,Europe,America and south Asia,supplying obsolete and hard-to-find components to meet their specific needs.

With the principle of “Quality Parts,Customers Priority,Honest Operation,and Considerate Service”,our business mainly focus on the distribution of electronic components. Line cards we deal with include Microchip,ALPS,ROHM,Xilinx,Pulse,ON,Everlight and Freescale. Main products comprise IC,Modules,Potentiometer,IC Socket,Relay,Connector.Our parts cover such applications as commercial,industrial, and automotives areas.

We are looking forward to setting up business relationship with you and hope to provide you with the best service and solution. Let us make a better world for our industry!



## Contact us

Tel: +86-755-8981 8866 Fax: +86-755-8427 6832

Email & Skype: info@chipsmall.com Web: www.chipsmall.com

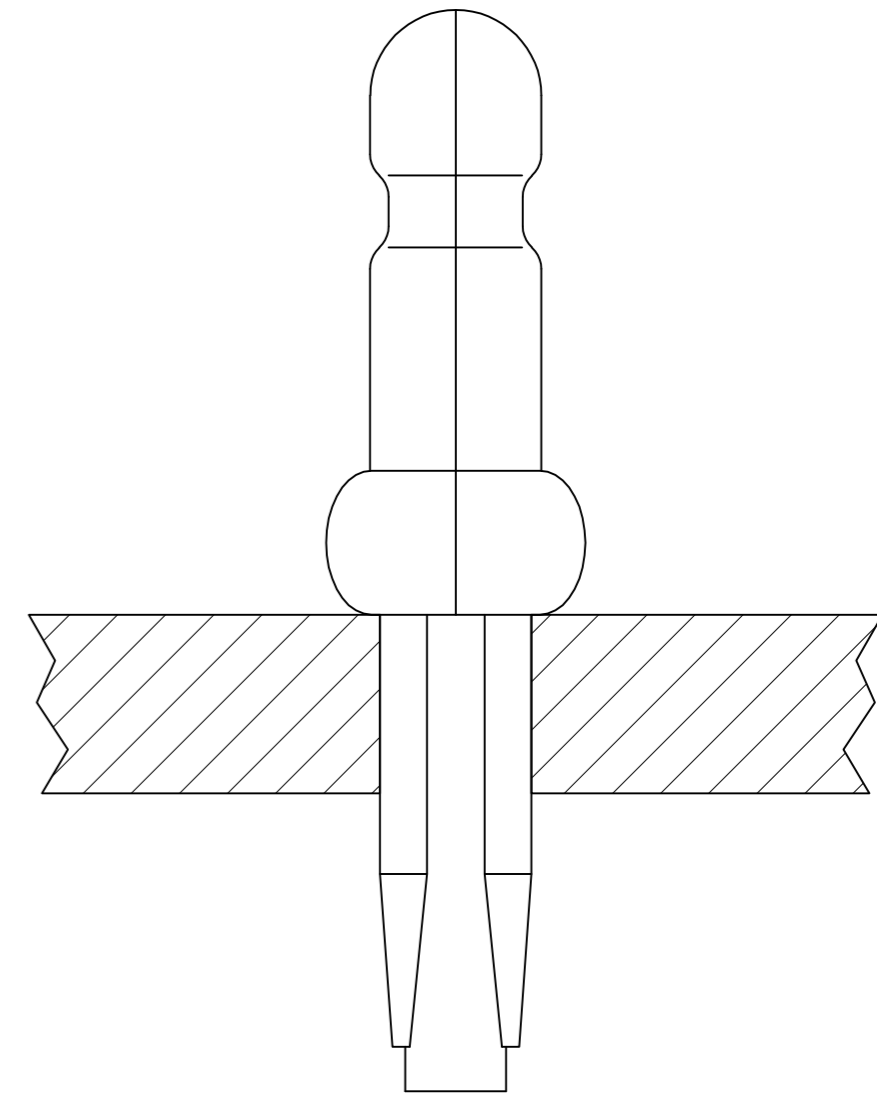
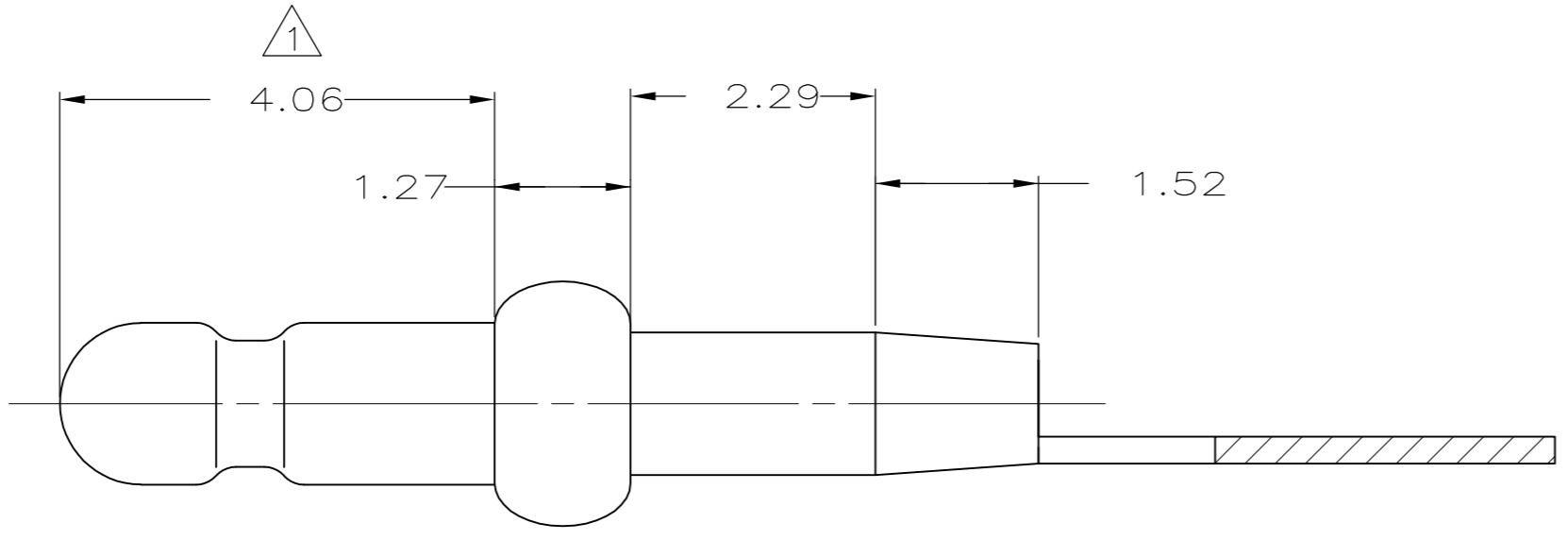
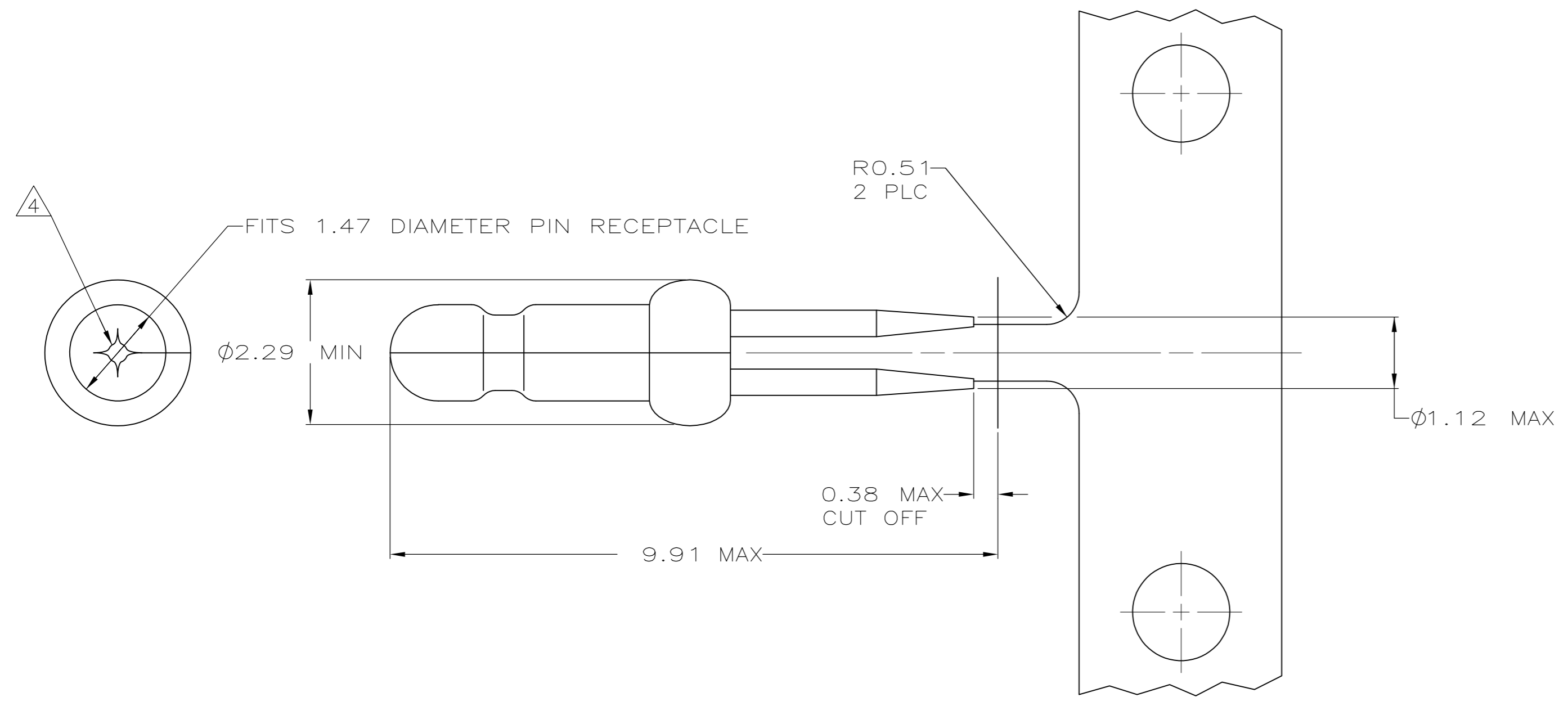
Address: A1208, Overseas Decoration Building, #122 Zhenhua RD., Futian, Shenzhen, China



THIS DRAWING IS UNPUBLISHED. RELEASED FOR PUBLICATION  
 © COPYRIGHT - By - ALL RIGHTS RESERVED.

LOC		DIST		REVISIONS			
P	LTR	DESCRIPTION		DATE	DWN	APVD	
CM	0	AP2		REVISED PER ECO-11-004917	11MAR11	RK HMR	

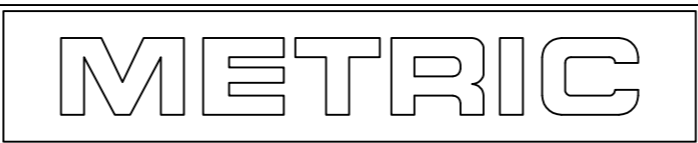
- 1. 0.00076 MIN GOLD PLATING IN THIS AREA WITH 0.00381 MIN MATTE TIN LEAD ON THE REMAINDER, BOTH OVER 0.00127 MIN NICKEL UNDERPLATE.
- 2. FITS 1.17 - 1.27 DIAMETER HOLE IN A 1.57 OR 2.36 PRINTED CIRCUIT BOARD.
- 3. PARTS TO COMPLY WITH AMP SOLDERABILITY SPECIFICATION 109-11-3.
- 4. 0.05 - 0.25 DIAMETER OPENING REQUIRED IN TIP OF PIN.
- 5. APPLICATOR FEED: 8.00 - 8.26
- 6. 0.00076 MIN GOLD PLATING IN THIS AREA WITH 0.00381 MIN MATTE TIN ON THE REMAINDER, BOTH OVER 0.00127 MIN NICKEL UNDERPLATE.



6	3-60802-1
PRE TIN	60802-2
1	60802-1
FINISH	PART NUMBER

0.13	.005	1.17	.046	2.29	.090	9.91	.390
0.05	.002	1.12	.044	1.57	.062	8.26	.325
0.00381	.000150	0.51	.020	1.52	.060	8.00	.315
0.00127	.000050	0.38	.015	1.47	.058	4.06	.160
0.00076	.000030	0.25	.010	1.27	.050	2.36	.093
MM	IN	MM	IN	MM	IN	MM	IN

CONVERSION TABLE



THIS DRAWING IS A CONTROLLED DOCUMENT.

DIMENSIONS:	TOLERANCES UNLESS OTHERWISE SPECIFIED:	DWN	7-28-97
mm		T. BECK	
		CHK	7-28-97
		R. SWING	
		APVD	9-10-97
		A. BEDDICK	
		PRODUCT SPEC	
		108-1025	
		APPLICATION SPEC	
		114-1008	
MATERIAL	FINISH	WEIGHT	
0.25 PH BRZ	SEE TABLE	-	

TE Connectivity

PIN, .058 DIAMETER, PHOSPHOR BRONZE, PRESS FIT, P.C. CONTACT

SIZE	CAGE CODE	DRAWING NO	RESTRICTED TO
A2	00779	C-60802	-
SCALE	SHEET	REV	
15:1	1 of 1	AP2	