



Chipsmall Limited consists of a professional team with an average of over 10 year of expertise in the distribution of electronic components. Based in Hongkong, we have already established firm and mutual-benefit business relationships with customers from,Europe,America and south Asia,supplying obsolete and hard-to-find components to meet their specific needs.

With the principle of “Quality Parts,Customers Priority,Honest Operation,and Considerate Service”,our business mainly focus on the distribution of electronic components. Line cards we deal with include Microchip,ALPS,ROHM,Xilinx,Pulse,ON,Everlight and Freescale. Main products comprise IC,Modules,Potentiometer,IC Socket,Relay,Connector.Our parts cover such applications as commercial,industrial, and automotives areas.

We are looking forward to setting up business relationship with you and hope to provide you with the best service and solution. Let us make a better world for our industry!



## Contact us

Tel: +86-755-8981 8866 Fax: +86-755-8427 6832

Email & Skype: info@chipsmall.com Web: www.chipsmall.com

Address: A1208, Overseas Decoration Building, #122 Zhenhua RD., Futian, Shenzhen, China

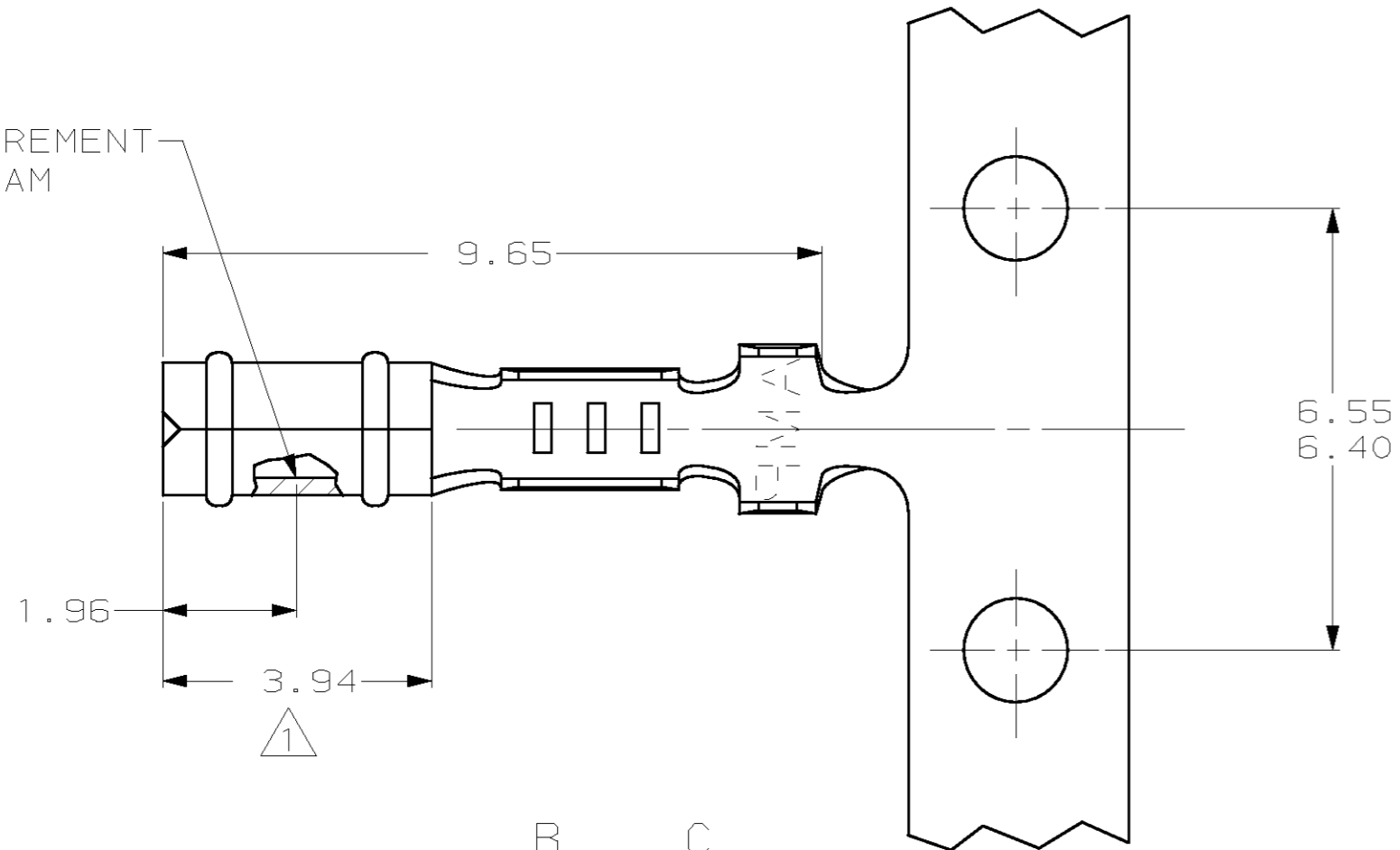


THIS DRAWING IS UNPUBLISHED. RELEASED FOR PUBLICATION  
 (C) COPYRIGHT 19 BY AMP INCORPORATED. ALL RIGHTS RESERVED.

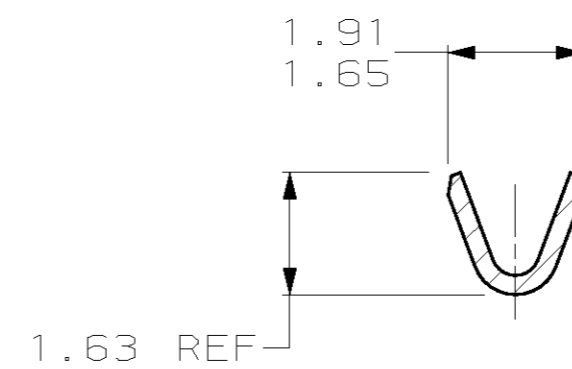
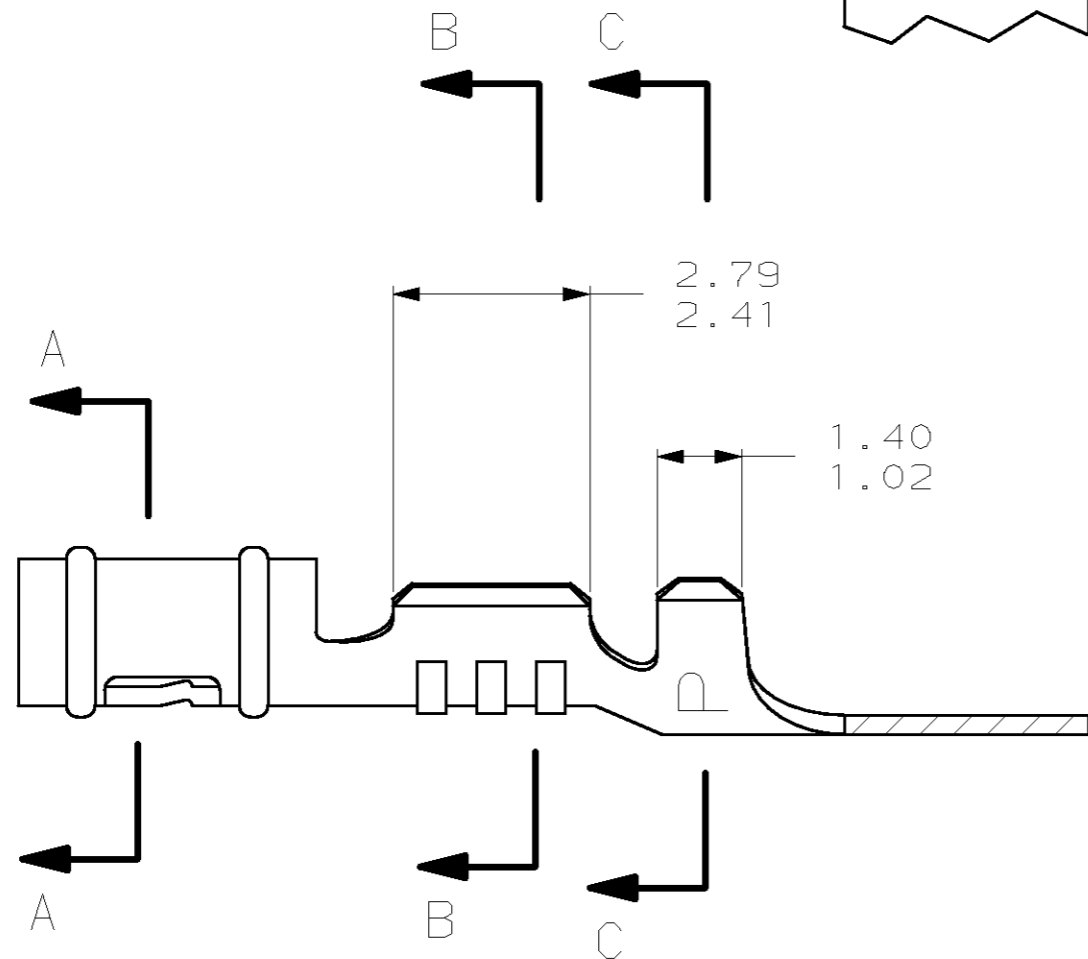
LOC	DIST	REVISIONS				
P	LTR	DESCRIPTION	DATE	DWN	APVD	
CM	52	Y	REV & REDWN PER EC 0L30-0146-97	5-15-97	TB	RS

- 1. 0.00076 MIN SELECTIVE GOLD PLATING ON INSIDE OF RECEPTACLE OVER NICKEL OVER ALL UNDERPLATE.
- 2. WIRE RANGE: 0.12 - 0.4 MM<sup>2</sup> (26 - 22 AWG)
- 3. INSULATION RANGE: 0.89 - 1.65
- 4. PARTS ARE REVERSED REELED. FOR USE WITH MINI APPLICATORS SEE PART NUMBER 60888.

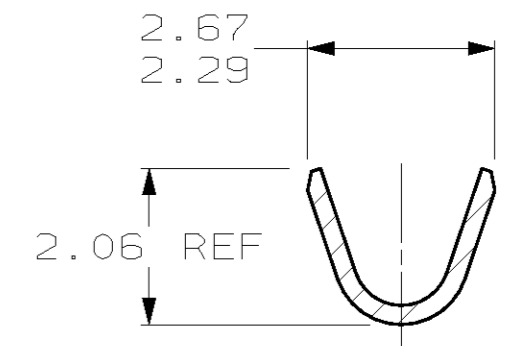
POINT OF MEASUREMENT  
 1 90° FROM SEAM



SECTION A-A



SECTION B-B



SECTION C-C

1	0.25 BE COPPER	60804-4
2	MATTE TIN	0.25 BE COPPER
3	PRE-TIN	0.25 PH BRZ
4	0.25 PH BRZ	60804-1
FINISH	MATERIAL	PART NUMBER

1.359	.0535	1.91	.075	2.79	.110	-	-
1.02	.040	1.65	.065	2.67	.105	-	-
0.89	.035	1.63	.064	2.41	.095	9.65	.380
0.25	.010	1.486	.0585	2.29	.090	6.55	.258
0.13	.005	1.47	.058	2.06	.081	6.40	.252
0.00076	.000030	1.40	.055	1.96	.077	3.94	.155
MM	IN	MM	IN	MM	IN	MM	IN

CONVERSION TABLE

**METRIC**

THIS DRAWING IS A CONTROLLED DOCUMENT.

DWN	T. BECK	5-15-97
CHK	R. SWING	5-15-97
APVD	A. BEDDICK	8-08-97
NAME	RECEPTACLE, .058 DIAMETER, 26-22 AWG, .035-.065 INSULATION, P.C. CONTACT	
PRODUCT SPEC	108-1025	
APPLICATION SPEC	114-1008	
WEIGHT	-	
CUSTOMER DRAWING	SCALE 10:1	SHEET 1 OF 1

AMP Incorporated  
 Harrisburg, PA 17105-3608

AMP 60804