



Chipsmall Limited consists of a professional team with an average of over 10 year of expertise in the distribution of electronic components. Based in Hongkong, we have already established firm and mutual-benefit business relationships with customers from,Europe,America and south Asia,supplying obsolete and hard-to-find components to meet their specific needs.

With the principle of “Quality Parts,Customers Priority,Honest Operation,and Considerate Service”,our business mainly focus on the distribution of electronic components. Line cards we deal with include Microchip,ALPS,ROHM,Xilinx,Pulse,ON,Everlight and Freescale. Main products comprise IC,Modules,Potentiometer,IC Socket,Relay,Connector.Our parts cover such applications as commercial,industrial, and automotives areas.

We are looking forward to setting up business relationship with you and hope to provide you with the best service and solution. Let us make a better world for our industry!



## Contact us

Tel: +86-755-8981 8866 Fax: +86-755-8427 6832

Email & Skype: info@chipsmall.com Web: www.chipsmall.com

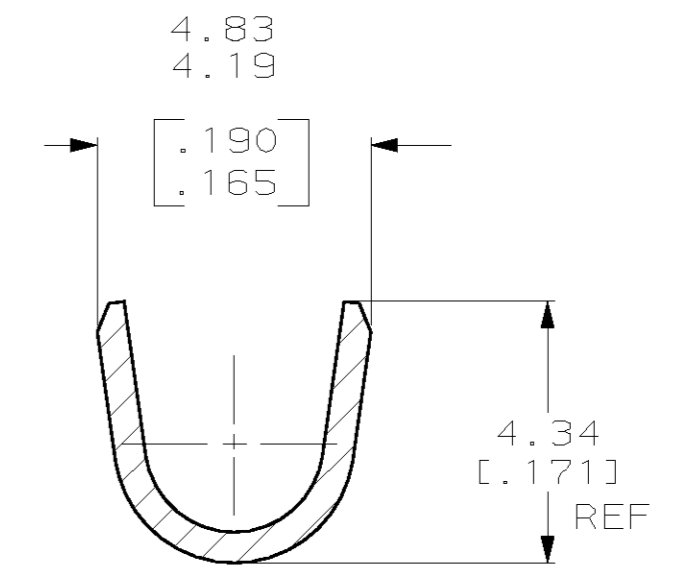
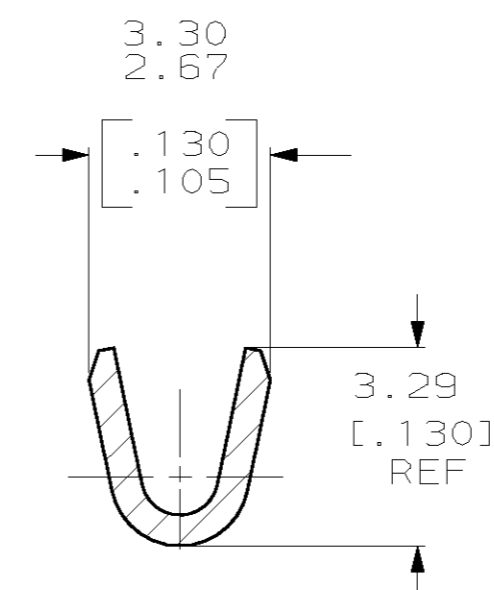
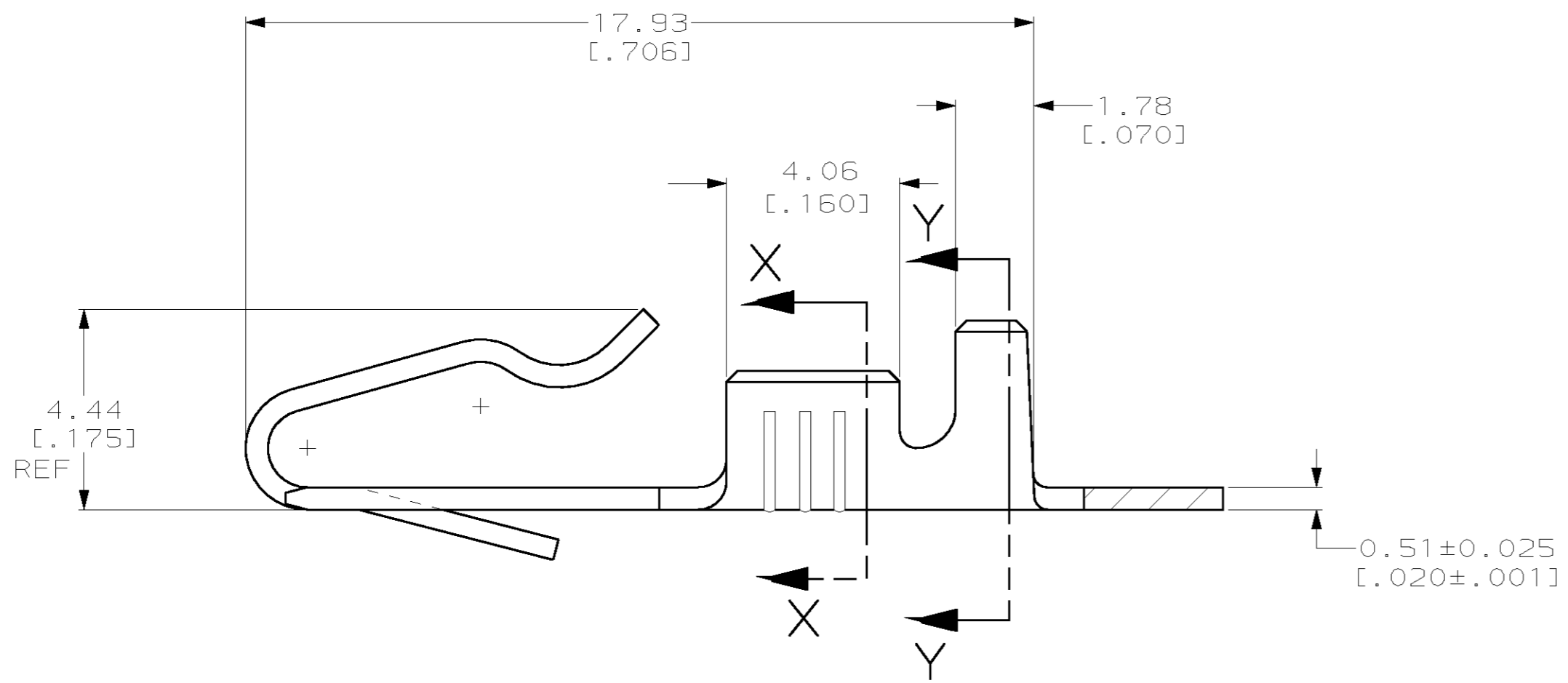
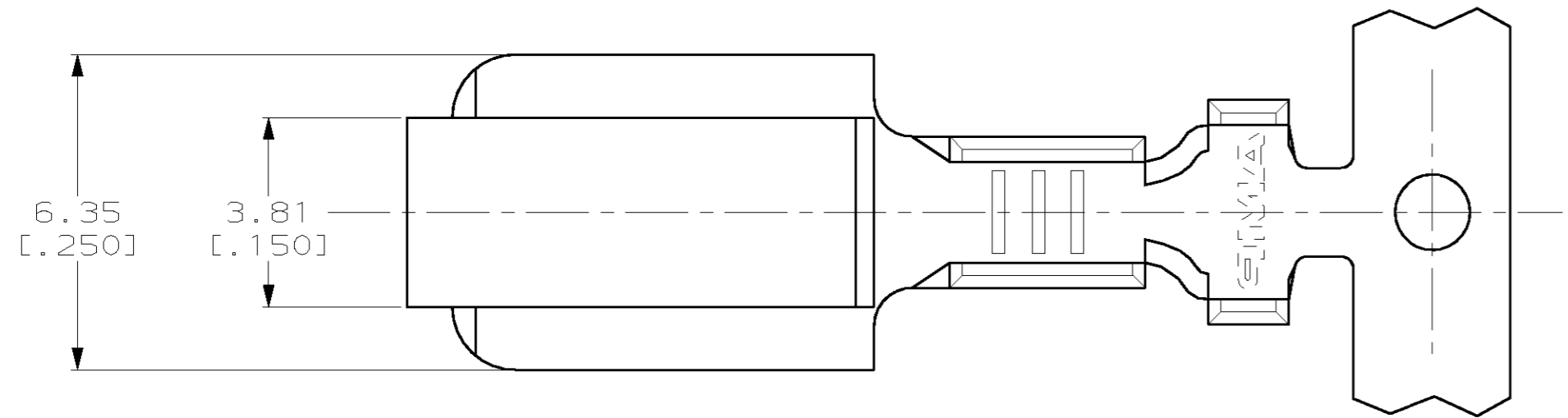
Address: A1208, Overseas Decoration Building, #122 Zhenhua RD., Futian, Shenzhen, China



THIS DRAWING IS UNPUBLISHED. RELEASED FOR PUBLICATION .19  
 © COPYRIGHT 19 BY AMP INCORPORATED. ALL RIGHTS RESERVED.

LOC		DIST		REVISIONS			
P	LTR	DESCRIPTION		DATE	DWN	APVD	
AF	50	H		REDRAWN PER 0G3A-0054-01	23JAN01	JR	DD

- 1 CONTINUOUS STRIP ON REELS, ON 11.43±0.08 [.450±.003] CENTERS.
- 2 WIRE SIZE IS [#20-#16] AWG.
- 3 INSULATION RANGE IS 3.30 [.130] MAX
- 4 REVERSE REEL OF 60805-1.



△ 60805-2
60805-1
PART NO.

THIS DRAWING IS A CONTROLLED DOCUMENT.		DWN	JR RUTH	23JAN01	AMP Incorporated Harrisburg, PA 17105-3608
DIMENSIONS: MM (INCHES)		CHK	MS FEHER	23JAN01	
TOLERANCES UNLESS OTHERWISE SPECIFIED:		APVD	D DECKER	23JAN01	
0 PLC ±- 1 PLC ±- 2 PLC ±0.25 [.010] 3 PLC ±- 4 PLC ±- ANGLES ±-		PRODUCT SPEC	NAME		
MATERIAL	H04 BRASS	FINISH	-		FLUORESCENT TUBE SOCKET TERMINAL
-		WEIGHT	-		SIZE
-		CUSTOMER DRAWING		SCALE	8:1
-		SHEET		1	OF
-		REV		H	