



Chipsmall Limited consists of a professional team with an average of over 10 year of expertise in the distribution of electronic components. Based in Hongkong, we have already established firm and mutual-benefit business relationships with customers from,Europe,America and south Asia,supplying obsolete and hard-to-find components to meet their specific needs.

With the principle of “Quality Parts,Customers Priority,Honest Operation,and Considerate Service”,our business mainly focus on the distribution of electronic components. Line cards we deal with include Microchip,ALPS,ROHM,Xilinx,Pulse,ON,Everlight and Freescale. Main products comprise IC,Modules,Potentiometer,IC Socket,Relay,Connector.Our parts cover such applications as commercial,industrial, and automotives areas.

We are looking forward to setting up business relationship with you and hope to provide you with the best service and solution. Let us make a better world for our industry!



## Contact us

Tel: +86-755-8981 8866 Fax: +86-755-8427 6832

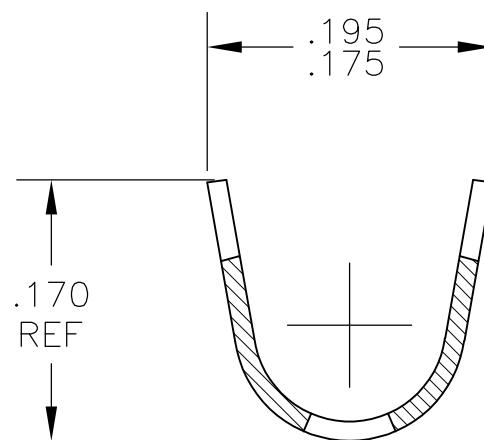
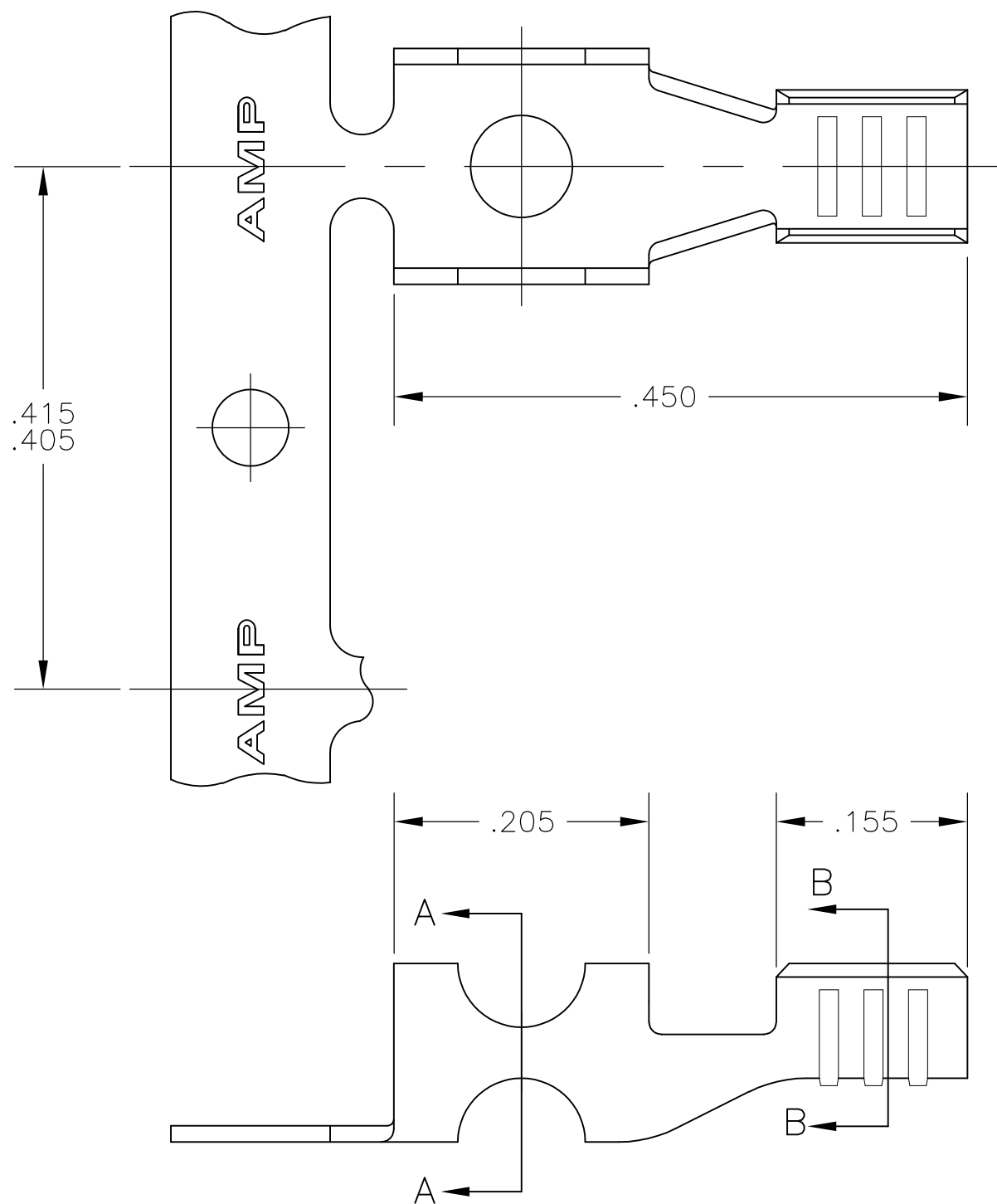
Email & Skype: info@chipsmall.com Web: www.chipsmall.com

Address: A1208, Overseas Decoration Building, #122 Zhenhua RD., Futian, Shenzhen, China

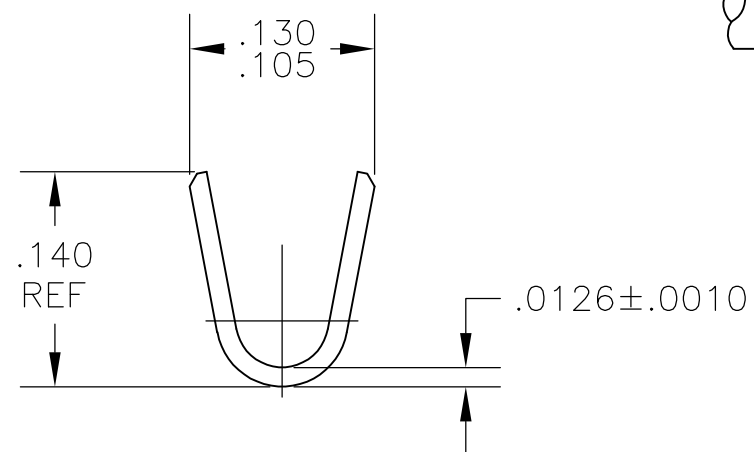


THIS DRAWING IS UNPUBLISHED. RELEASED FOR PUBLICATION  
 © COPYRIGHT BY TYCO ELECTRONICS CORPORATION. ALL RIGHTS RESERVED.

LOC	DIST	REVISIONS					
AF	50	P	LTR	DESCRIPTION	DATE	DWN	APVD
			E1	ECR-07-010352(REDRAWN IN AUTOCAD)	23FEB07	HMR	GP



SECTION A-A

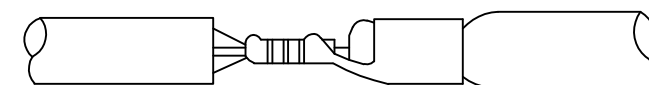


SECTION B-B

- 1 CONTINUOUS STRIP ON REELS.
- 2 WIRE RANGE: 1600 TO 4100 CMA
- 3 INSULATION RANGE: .105 - .145 DIA.



THROUGH CONNECTION



OBSOLETE	<del>.000080 MIN TIN</del>	<del>60806-2</del>
	NONE	60806-1
	FINISH	PART NO

THIS DRAWING IS A CONTROLLED DOCUMENT.		DWN	RAGHAVENDRA	23FEB07	<b>tyco</b> <b>Electronics</b>	Tyco Electronics Corporation Harrisburg, Pa 17105-3608			
DIMENSIONS: INCHES		CHK	G.D.PORTA	23FEB07		NAME	SPLICE		
TOLERANCES UNLESS OTHERWISE SPECIFIED:		APVD	G.D.PORTA	23FEB07	PRODUCT SPEC				
0 PLC ± -		APPLICATION SPEC				SIZE	CAGE CODE	DRAWING NO	RESTRICTED TO
1 PLC ± -						A300779		C-60806	
2 PLC ± -						CUSTOMER DRAWING		SCALE	8:1
3 PLC ± .010								SHEET	1 OF 1
4 PLC ± -								REV	E1
ANGLES ± -									
MATERIAL		FINISH							
O81 BRASS		SEE TABLE							