



Chipsmall Limited consists of a professional team with an average of over 10 year of expertise in the distribution of electronic components. Based in Hongkong, we have already established firm and mutual-benefit business relationships with customers from,Europe,America and south Asia,supplying obsolete and hard-to-find components to meet their specific needs.

With the principle of “Quality Parts,Customers Priority,Honest Operation,and Considerate Service”,our business mainly focus on the distribution of electronic components. Line cards we deal with include Microchip,ALPS,ROHM,Xilinx,Pulse,ON,Everlight and Freescale. Main products comprise IC,Modules,Potentiometer,IC Socket,Relay,Connector.Our parts cover such applications as commercial,industrial, and automotives areas.

We are looking forward to setting up business relationship with you and hope to provide you with the best service and solution. Let us make a better world for our industry!



Contact us

Tel: +86-755-8981 8866 Fax: +86-755-8427 6832

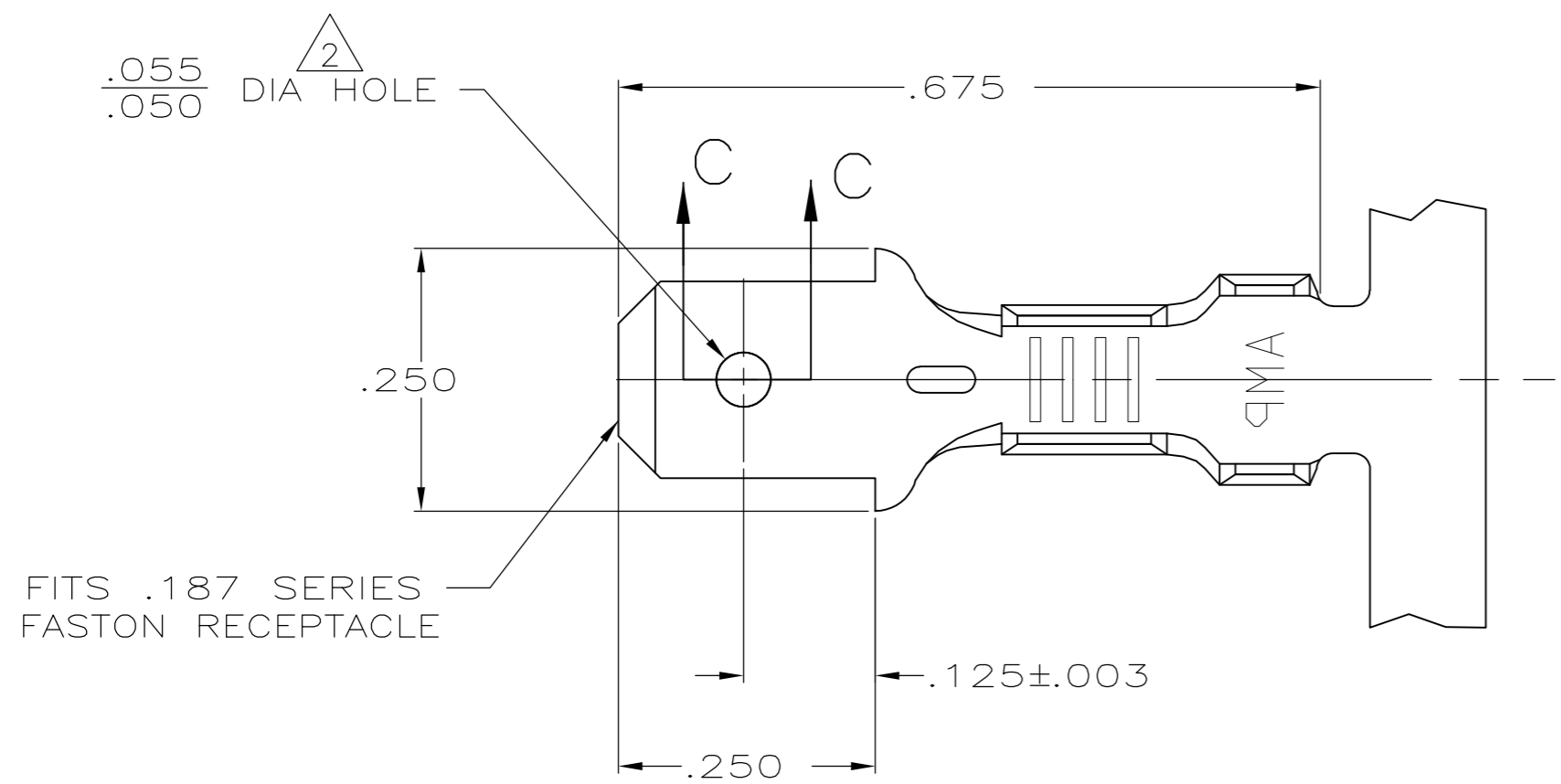
Email & Skype: info@chipsmall.com Web: www.chipsmall.com

Address: A1208, Overseas Decoration Building, #122 Zhenhua RD., Futian, Shenzhen, China



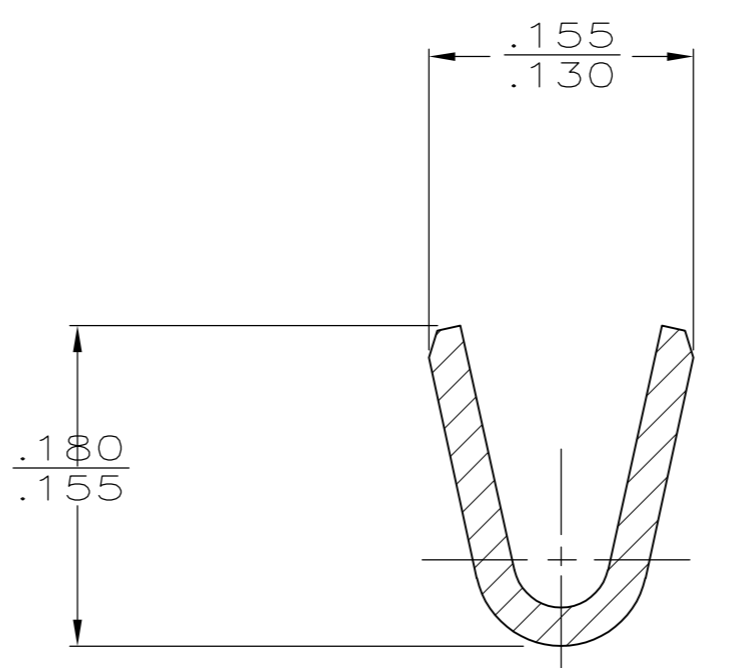
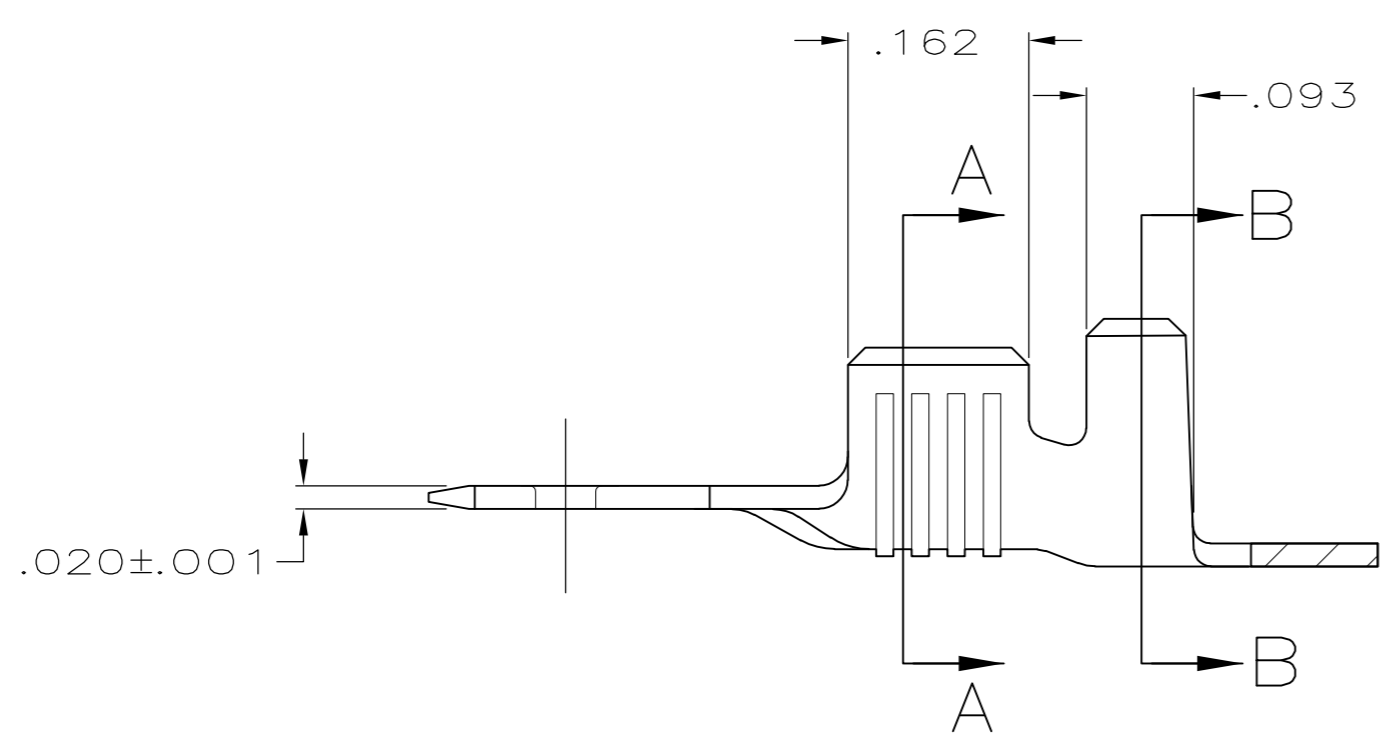
THIS DRAWING IS UNPUBLISHED. RELEASED FOR PUBLICATION
 © COPYRIGHT BY TYCO ELECTRONICS CORPORATION. ALL INTERNATIONAL RIGHTS RESERVED.

LOC	DIST	REVISIONS			
P	LTR	DESCRIPTION	DATE	DWN	APVD
AF	50	M	REVISED PER ECR-10-004058	08JUN10	HMR PD

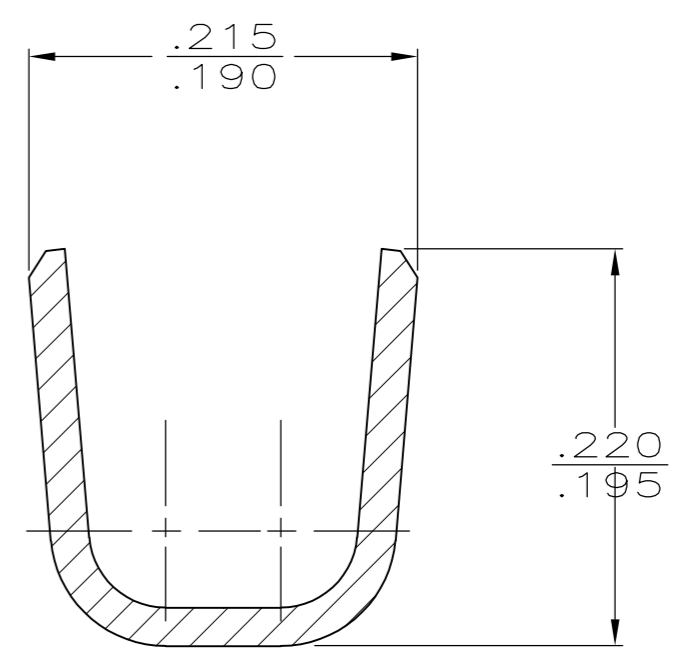


- 1. CONTINUOUS STRIP ON REEL
- 2. NO BURRS PERMISSIBLE AT HOLE. .005 MAX RADIUS PERMISSIBLE ON TOP.

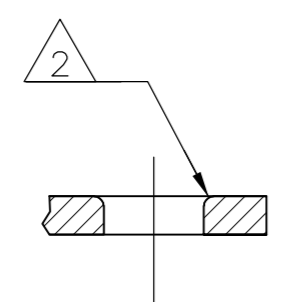
FITS .187 SERIES FASTON RECEPTACLE



SECTION A-A
SCALE 10:1



SECTION B-B
SCALE 10:1



SECTION C-C
SCALE 10:1

TIN	.120-.150	18-14	60850-2
FINISH	.120-.150	18-14	60850-1
INSULATION RANGE	WIRE RANGE	PART NO	

0	.180	.218	F	.110	.085	14	THIS DRAWING IS A CONTROLLED DOCUMENT.
					.076	16	
					.071	18	
TYPE	WIDTH	STRIP LENGTH ±.015	TYPE	WIDTH	±.002 HEIGHT	WIRE	DIMENSIONS: INCHES
INSUL BARREL CRIMP			WIRE BARREL CRIMP				TOLERANCES UNLESS OTHERWISE SPECIFIED: 0 PLC ± - 1 PLC ± - 2 PLC ± - 3 PLC ± .015 4 PLC ± - ANGLES ± -
							MATERIAL #2 HARD BRASS

DWN	JR RUTH	2/16/89	Tyco Electronics Corporation Harrisburg, PA 17105-3608
CHK	MS FEHER	2/16/89	
APVD	C MEYERS	2/17/89	
PRODUCT SPEC	NAME		
APPLICATION SPEC	TAB,FASTON,.187 SERIES™		RESTRICTED TO
WEIGHT	-	SIZE	A2
CUSTOMER DRAWING	SCALE 6:1	CAGE CODE	00779
	SHEET 1 of 1	DRAWING NO	C=60850
	REV M		