



Chipsmall Limited consists of a professional team with an average of over 10 year of expertise in the distribution of electronic components. Based in Hongkong, we have already established firm and mutual-benefit business relationships with customers from,Europe,America and south Asia,supplying obsolete and hard-to-find components to meet their specific needs.

With the principle of "Quality Parts,Customers Priority,Honest Operation,and Considerate Service",our business mainly focus on the distribution of electronic components. Line cards we deal with include Microchip,ALPS,ROHM,Xilinx,Pulse,ON,Everlight and Freescale. Main products comprise IC,Modules,Potentiometer,IC Socket,Relay,Connector.Our parts cover such applications as commercial,industrial, and automotives areas.

We are looking forward to setting up business relationship with you and hope to provide you with the best service and solution. Let us make a better world for our industry!



Contact us

Tel: +86-755-8981 8866 Fax: +86-755-8427 6832

Email & Skype: info@chipsmall.com Web: www.chipsmall.com

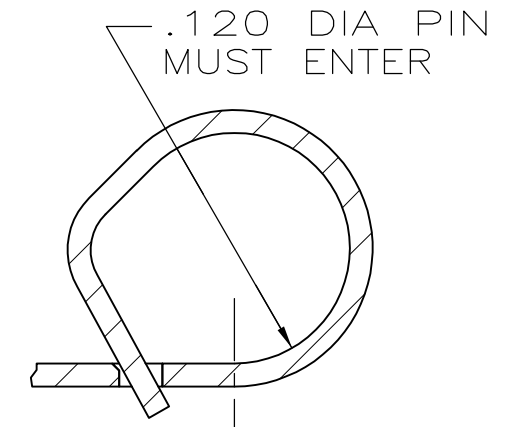
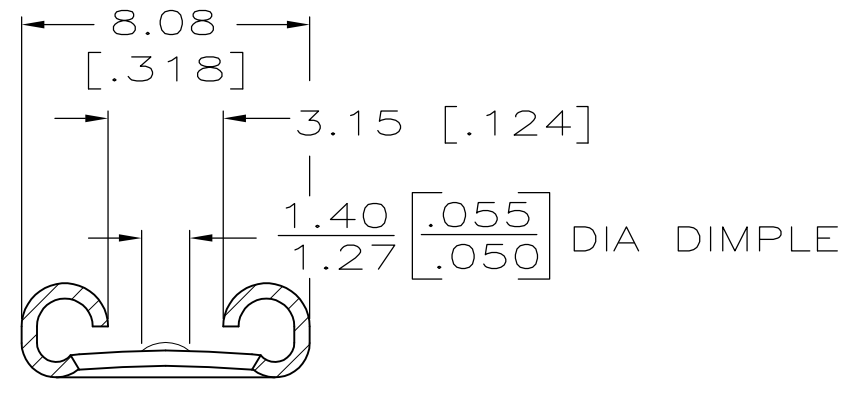
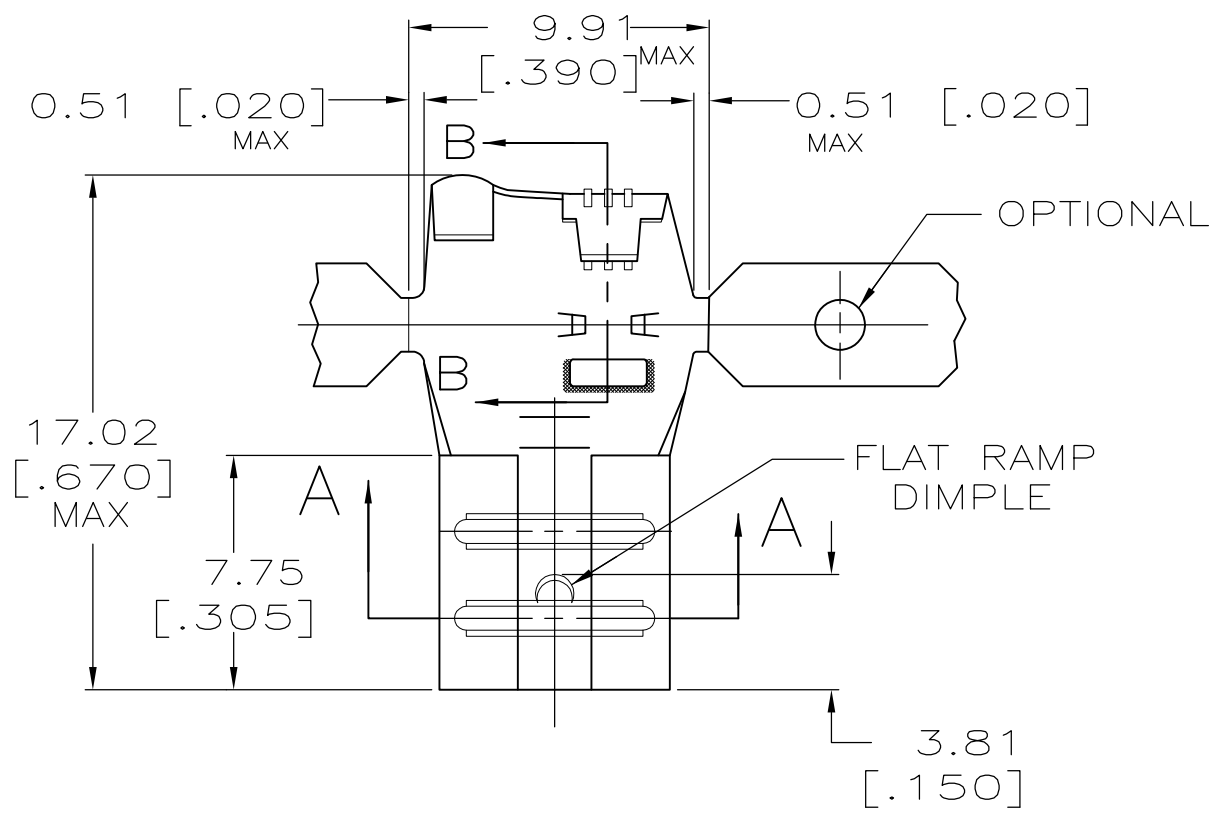
Address: A1208, Overseas Decoration Building, #122 Zhenhua RD., Futian, Shenzhen, China



THIS DRAWING IS UNPUBLISHED. RELEASED FOR PUBLICATION
 © COPYRIGHT - By - ALL RIGHTS RESERVED.

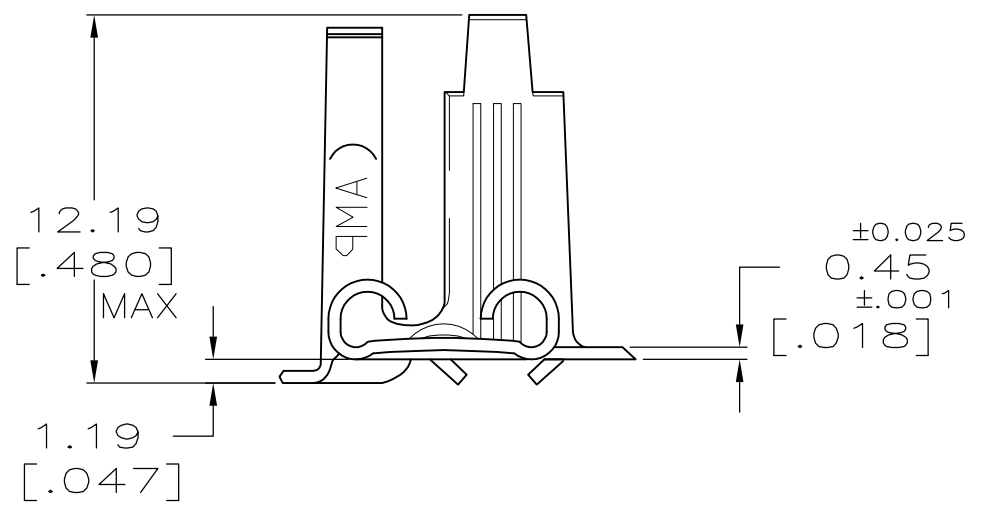
LOC	DIST	REVISIONS					
		P	LTR	DESCRIPTION	DATE	DWN	APVD
AF	50		AC	REVISED PER ECR-12-013459	28NOV2012	KH	PD

- 1 CONTINUOUS STRIP ON REELS.
- 2 FEED TO BE 19.56 [.770].
- 3 PRE-CRIMPED BARREL FOR 60851-3 ONLY. SUPPLIED IN LOOSE PIECE.
- 4 MATING TAB THK TO BE .032±.001
- 5 WIRE SIZE IS 3.0-5.0mm² [12-10] AWG
- 6 INSULATION RANGE IS 2.79-5.33 [.110-.210] DIA.



PRE-CRIMPED BBL FOR 60851-3 ONLY
 SECTION A-A
 SCALE 10:1
 ROTATED 90° CW

SECTION A-A
 SCALE 5:1



-	60851-4
TIN	60851-3 ³
SILVER	60851-2
TIN	60851-1
FINISH	PART NO.

THIS DRAWING IS A CONTROLLED DOCUMENT.		DWN	JR RUTH	2/13/91	STE TE Connectivity			
DIMENSIONS: mm [INCHES]		CHK	P FORTNEY	2/13/91				
TOLERANCES UNLESS OTHERWISE SPECIFIED:		APVD	D REINER	2/13/91	NAME			
0 PLC ± -		PRODUCT SPEC		RECEPTACLE, FASTON, FLAG, .250 SERIES				
1 PLC ± -		APPLICATION SPEC		SIZE		CAGE CODE	DRAWING NO	RESTRICTED TO
2 PLC ± -		MATERIAL		A3		00779	C-60851	-
3 PLC ± 0.38 [.015]		FINISH		CUSTOMER DRAWING		SCALE	SHEET	REV
4 PLC ± -		SEE TABLE		4:1		1 OF 1	AC	
ANGLES ± -								