



Chipsmall Limited consists of a professional team with an average of over 10 year of expertise in the distribution of electronic components. Based in Hongkong, we have already established firm and mutual-benefit business relationships with customers from,Europe,America and south Asia,supplying obsolete and hard-to-find components to meet their specific needs.

With the principle of "Quality Parts,Customers Priority,Honest Operation,and Considerate Service",our business mainly focus on the distribution of electronic components. Line cards we deal with include Microchip,ALPS,ROHM,Xilinx,Pulse,ON,Everlight and Freescale. Main products comprise IC,Modules,Potentiometer,IC Socket,Relay,Connector.Our parts cover such applications as commercial,industrial, and automotives areas.

We are looking forward to setting up business relationship with you and hope to provide you with the best service and solution. Let us make a better world for our industry!



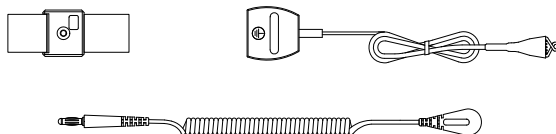
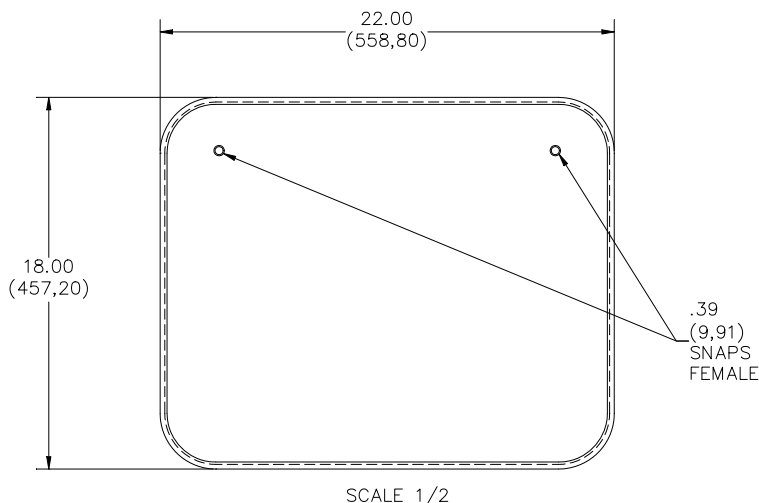
## Contact us

Tel: +86-755-8981 8866 Fax: +86-755-8427 6832

Email & Skype: info@chipsmall.com Web: www.chipsmall.com

Address: A1208, Overseas Decoration Building, #122 Zhenhua RD., Futian, Shenzhen, China



**Model 6087**  
**Field Service Kit, Red, ESD****Features**

- Complete and durable service kit for static sensitive work.
- Features a static-safe 18" x 22" (460mm x 560mm) laminated red vinyl mat.
- Kit includes a mat with two 10mm snap sockets, common point ground connector with two Banana Plug Jacks and a 15' ground lead, an adjustable elastic wrist strap (Model 6081) and a resistive coil cord (Model 5534).
- Folds down to fit into your tool box.



**USA:** Sales: 800-490-2361  
Technical Support: [technicalsupport@pomonatest.com](mailto:technicalsupport@pomonatest.com)  
Fax: 425-446-5844  
**Europe:** 31-(0) 40 2675 150 **International:** 425-446-5500  
**Where to Buy:** [www.pomonaelectronics.com](http://www.pomonaelectronics.com)

All dimensions are in inches. Tolerances (except noted): .xx = ±.02" (.51 mm), .xxx = ±.005" (.127 mm). All specifications are to the latest revisions. Specifications are subject to change without notice. Registered trademarks are the property of their respective companies.

**Model 6087**  
**Field Service Kit, Red, ESD****Specifications**Wrist Strap:

Body: Impact resistant plastic, Blue

Strap: Elastic fibers with silver-plated Nylon, Yarn, Circumference: 2.50" (64,0) min., 13.00" (330,0) max.

Snap and Cam: Stainless Steel, 4mm (0.16") snap stud

Anti-Static Ground Cord:Banana Plug:

Body – Brass, nickel-plated, fits 4.2mm (0.17") standard Banana Jack

Insulation – PVC, Black

Cord: Coiled Tinsel Cord, Polyurethane 2.25mm O.D.

Snap:

Body – Brass, nickel-plated, fits 4mm (0.16") snap stud

Insulation – PVC, Black

Length: 6 feet, extended

Resistor: 1 megohm

MAT, ESD: 0.018" (0,46) thick, vinyl, Red

Common Point Ground Cord:Snap with Banana Jacks End:

Body – Brass, nickel-plated, 10mm (3/8") Stud (Male)

Resistor – 1 Megohm, insulated

Insulation – PVC, Black

Banana Jacks – Brass, nickel-plated, fits 4.2mm (0.17") Standard Banana Plug

Cord: Coiled Tinsel Cord, Polyurethane 2.25mm O.D., Length: 15 ft.

Large Alligator Clip End:

Body – Brass, nickel-plated, fits 4.2mm (0.17") Standard Banana Plug

Insulation – PVC, Black

**Ratings**

Surface Resistivity: 108 to 109 Ohm/Sq.

Volume Resistivity: 109 Ohm cm

Static Decay: 0.01 sec 5000V to 0V 12% RH

**Ordering Information**

Model: 6087

Packaging: Elastic Wrist Strap, Anti-Static Ground Cord, Common Point Ground Cord, Mat, Alligator Clip, and two Instruction Sheets per bag.

**USA:** Sales: 800-490-2361  
Technical Support: [technicalsupport@pomonatest.com](mailto:technicalsupport@pomonatest.com)  
Fax: 425-446-5844

**Europe:** 31-(0) 40 2675 150 **International:** 425-446-5500

**Where to Buy:** [www.pomonaelectronics.com](http://www.pomonaelectronics.com)

All dimensions are in inches. Tolerances (except noted): .xx = ±.02" (.51 mm), .xxx = ±.005" (.127 mm). All specifications are to the latest revisions. Specifications are subject to change without notice. Registered trademarks are the property of their respective companies.