



Chipsmall Limited consists of a professional team with an average of over 10 year of expertise in the distribution of electronic components. Based in Hongkong, we have already established firm and mutual-benefit business relationships with customers from,Europe,America and south Asia,supplying obsolete and hard-to-find components to meet their specific needs.

With the principle of "Quality Parts,Customers Priority,Honest Operation,and Considerate Service",our business mainly focus on the distribution of electronic components. Line cards we deal with include Microchip,ALPS,ROHM,Xilinx,Pulse,ON,Everlight and Freescale. Main products comprise IC,Modules,Potentiometer,IC Socket,Relay,Connector.Our parts cover such applications as commercial,industrial, and automotives areas.

We are looking forward to setting up business relationship with you and hope to provide you with the best service and solution. Let us make a better world for our industry!



Contact us

Tel: +86-755-8981 8866 Fax: +86-755-8427 6832

Email & Skype: info@chipsmall.com Web: www.chipsmall.com

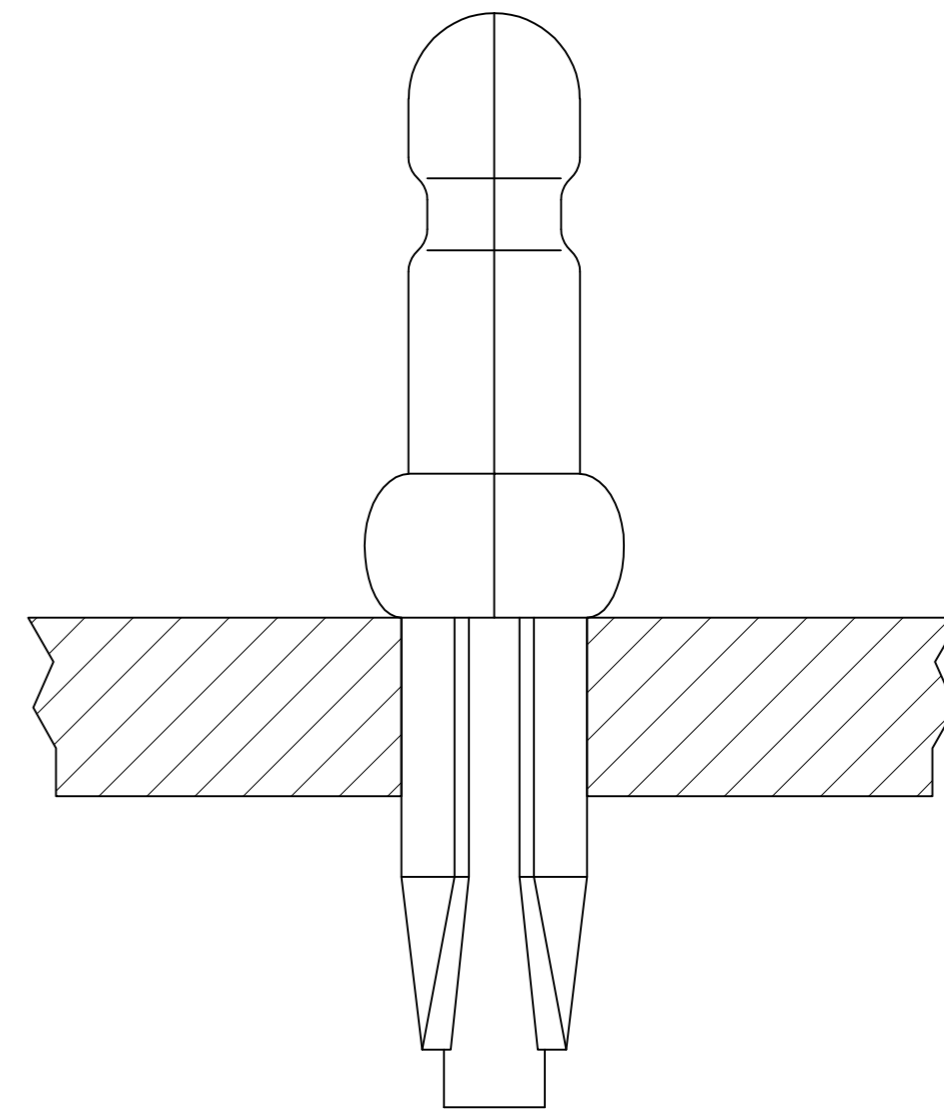
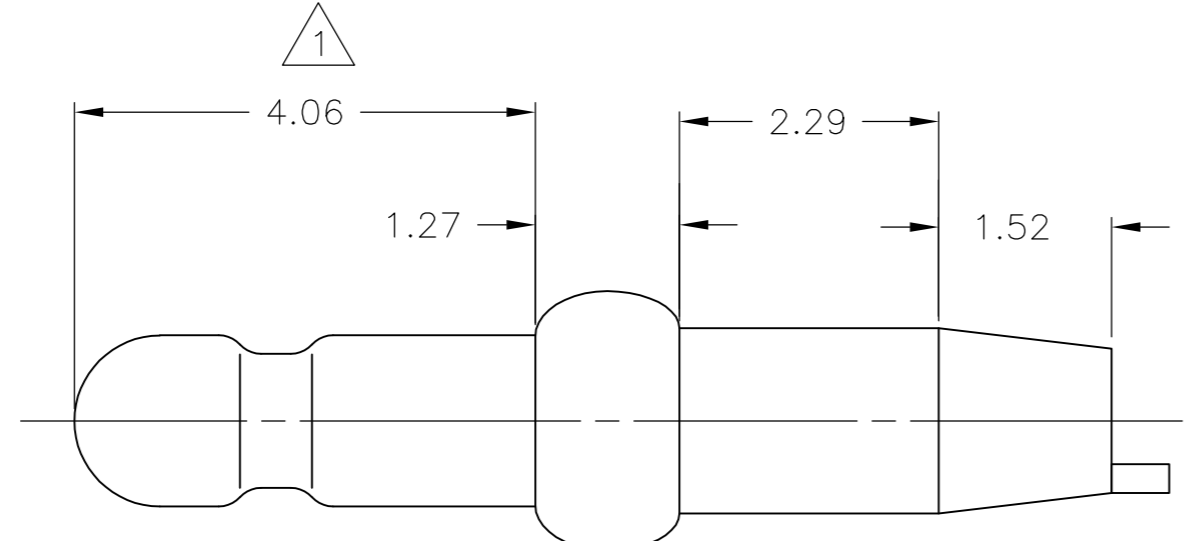
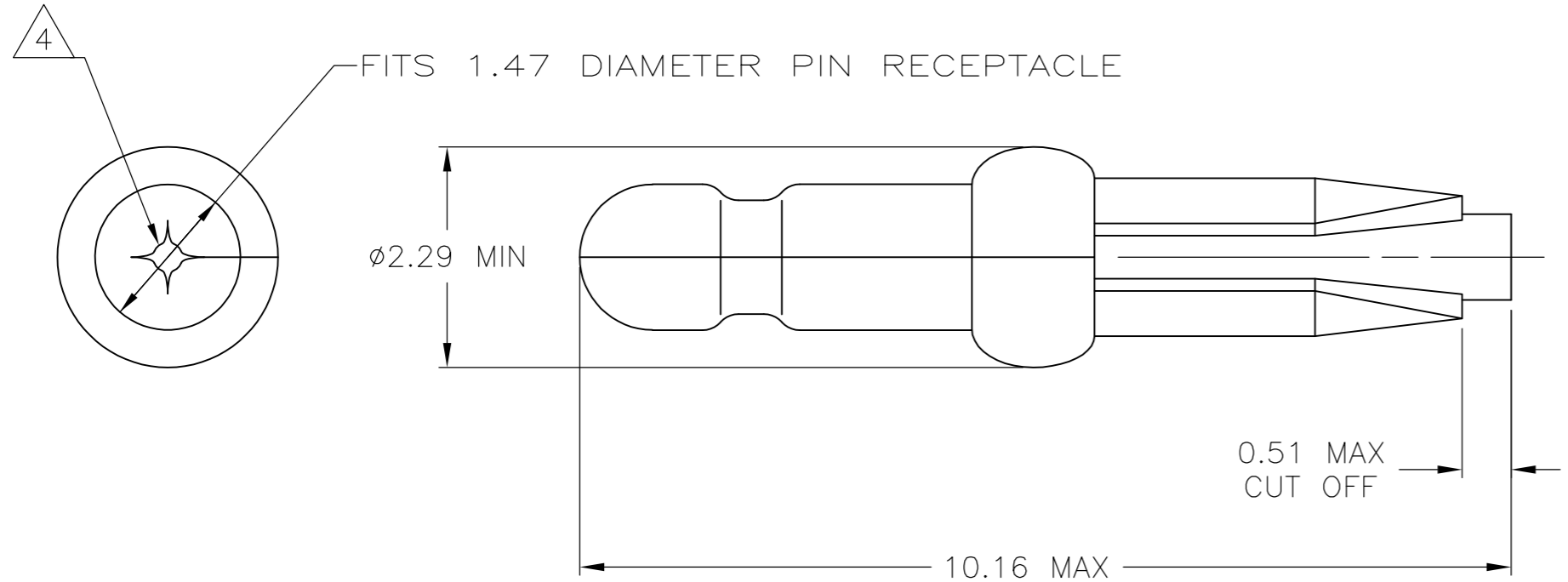
Address: A1208, Overseas Decoration Building, #122 Zhenhua RD., Futian, Shenzhen, China



THIS DRAWING IS UNPUBLISHED. RELEASED FOR PUBLICATION
 © COPYRIGHT BY TYCO ELECTRONICS CORPORATION. ALL INTERNATIONAL RIGHTS RESERVED.

LOC	DIST	REVISIONS					
CM	52	P	LTR	DESCRIPTION	DATE	DWN	APVD
		AH1		REVISED PER ECO-08-022148	05SEP08	HMR	FD

- 1 0.00076 MIN GOLD PLATING IN THIS AREA WITH 0.00381 MIN MATTE TIN LEAD ON THE REMAINDER, BOTH OVER 0.00127 MIN NICKEL UNDERPLATE.
- 2 FITS 1.47 - 1.57 DIAMETER HOLE IN A 1.57 OR 2.36 PRINTED CIRCUIT BOARD.
- 3 PARTS TO COMPLY WITH AMP SOLDERABILITY SPECIFICATION 109-11-3.
- 4 0.05 - 0.25 DIAMETER OPENING REQUIRED IN TIP OF PIN.
- 5 APPLICATOR FEED: 8.00 - 8.26
- 6 0.00076 MIN GOLD PLATING IN THIS AREA WITH 0.00381 MIN TIN ON THE REMAINDER, BOTH OVER 0.00127 MIN NICKEL UNDERPLATE.



6	3-60874-2
1	60874-2
PRE TIN	60874-1
FINISH	PART NUMBER

0.13	.005	1.52	.060	8.00	.315	-	-
0.05	.002	1.47	.058	4.06	.160	-	-
0.00381	.000150	1.27	.050	2.36	.093	-	-
0.00127	.000050	0.51	.020	2.29	.090	10.16	.400
0.00076	.000030	0.25	.010	1.57	.062	8.26	.325
MM	IN	MM	IN	MM	IN	MM	IN

CONVERSION TABLE

METRIC

THIS DRAWING IS A CONTROLLED DOCUMENT.

DWN	T. BECK	8-20-97
CHK	R. SWING	8-20-97
APVD	A. BEDDICK	9-10-97

PRODUCT SPEC: 108-1025
 APPLICATION SPEC: 114-1008

MATERIAL: 0.25 PH BRZ
 FINISH: SEE TABLE

WEIGHT: -

CUSTOMER DRAWING

Tyco Electronics Corporation
 Harrisburg, PA 17105-3608

PIN, .058 DIAMETER, PHOSPHOR BRONZE, PRESS FIT, LOOSE PIECE, P.C. CONTACT

SIZE: A2
 CAGE CODE: 00779
 DRAWING NO: C-60874
 RESTRICTED TO: -

SCALE: 15:1
 SHEET: 1 of 1
 REV: AH1