



Chipsmall Limited consists of a professional team with an average of over 10 year of expertise in the distribution of electronic components. Based in Hongkong, we have already established firm and mutual-benefit business relationships with customers from,Europe,America and south Asia,supplying obsolete and hard-to-find components to meet their specific needs.

With the principle of “Quality Parts,Customers Priority,Honest Operation,and Considerate Service”,our business mainly focus on the distribution of electronic components. Line cards we deal with include Microchip,ALPS,ROHM,Xilinx,Pulse,ON,Everlight and Freescale. Main products comprise IC,Modules,Potentiometer,IC Socket,Relay,Connector.Our parts cover such applications as commercial,industrial, and automotives areas.

We are looking forward to setting up business relationship with you and hope to provide you with the best service and solution. Let us make a better world for our industry!



Contact us

Tel: +86-755-8981 8866 Fax: +86-755-8427 6832

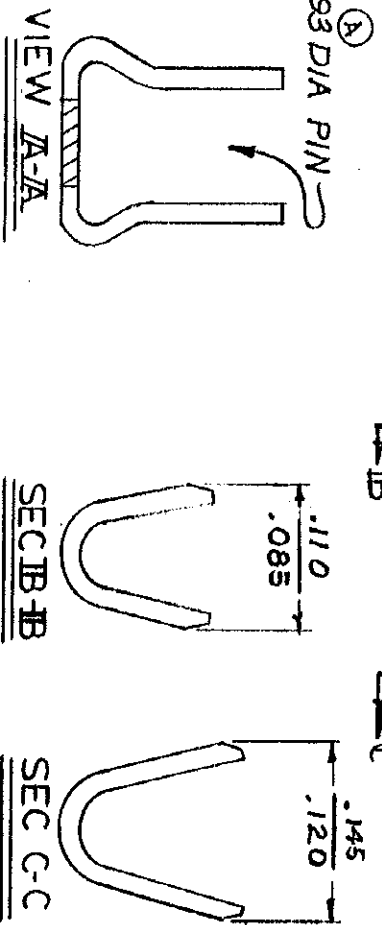
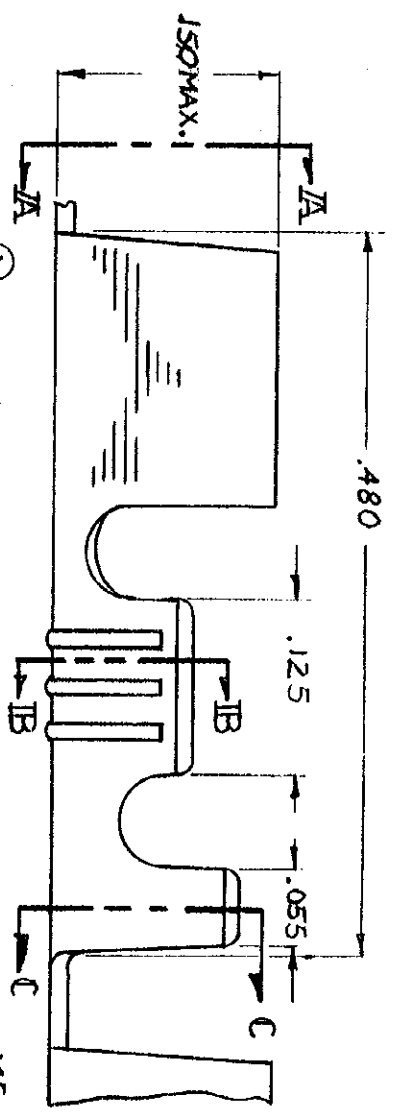
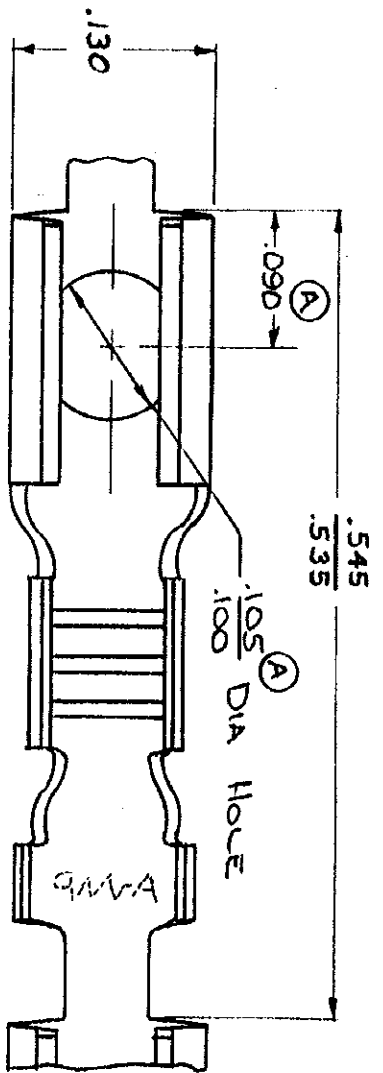
Email & Skype: info@chipsmall.com Web: www.chipsmall.com

Address: A1208, Overseas Decoration Building, #122 Zhenhua RD., Futian, Shenzhen, China



CP-50226

NUMBER
60884



PART NUMBER	MATERIAL	FINISH
60884-1	012 BRASS	NONE
60884-2	012 PH BRONZE	PRE FIN
60884-3	012 BRASS	TIN

OBSOLETE

F	REACTIVATE	N° 10/22	64	6/5/66
E	OBS. DER.	AFK09	55	4/1
D	OBS.	60884-2	2/14	1/14/64
C	ADDED	- 2 -	NW	1/25
B	CHANGED	DIST. A-47	LE	WY
A	093 WAS	086	RAS	9-22-71
2	ADDED	MAX. TO .150	401	10/2
1	130 WAS	135	401	9/17/64

H	OBS.	-1	AF-2699	7/18
G	ADDED	-3		5/1

LOC	NO	REV
AF A	60884	1

AMP AMP INCORPORATED
HARRISBURG, PENNA.

CUSTOMER COPY
REFERENCE ONLY

DIMENSIONS IN INCHES. DO NOT SCALE PRINT.

AMP 1252 REV 7/60

PIN RECEPTACLE