



Chipsmall Limited consists of a professional team with an average of over 10 year of expertise in the distribution of electronic components. Based in Hongkong, we have already established firm and mutual-benefit business relationships with customers from,Europe,America and south Asia,supplying obsolete and hard-to-find components to meet their specific needs.

With the principle of “Quality Parts,Customers Priority,Honest Operation,and Considerate Service”,our business mainly focus on the distribution of electronic components. Line cards we deal with include Microchip,ALPS,ROHM,Xilinx,Pulse,ON,Everlight and Freescale. Main products comprise IC,Modules,Potentiometer,IC Socket,Relay,Connector.Our parts cover such applications as commercial,industrial, and automotives areas.

We are looking forward to setting up business relationship with you and hope to provide you with the best service and solution. Let us make a better world for our industry!



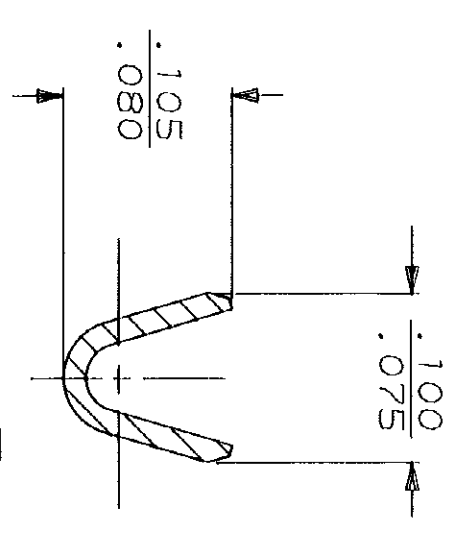
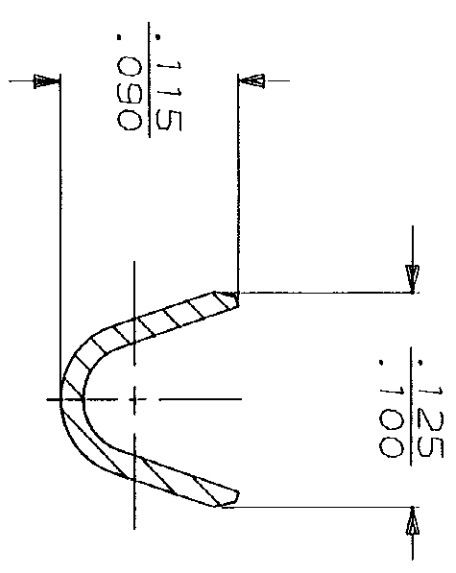
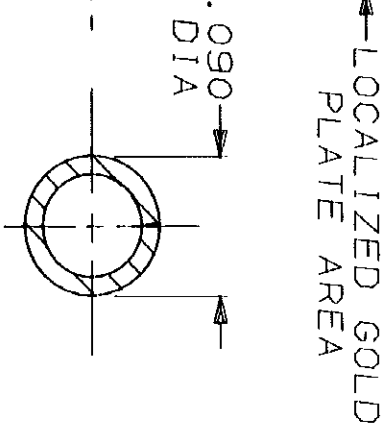
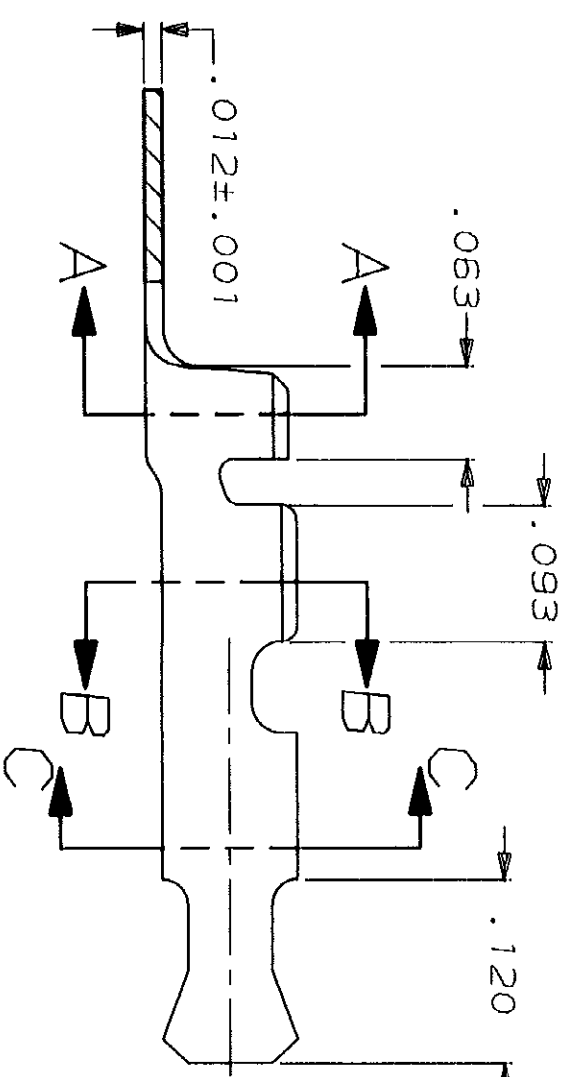
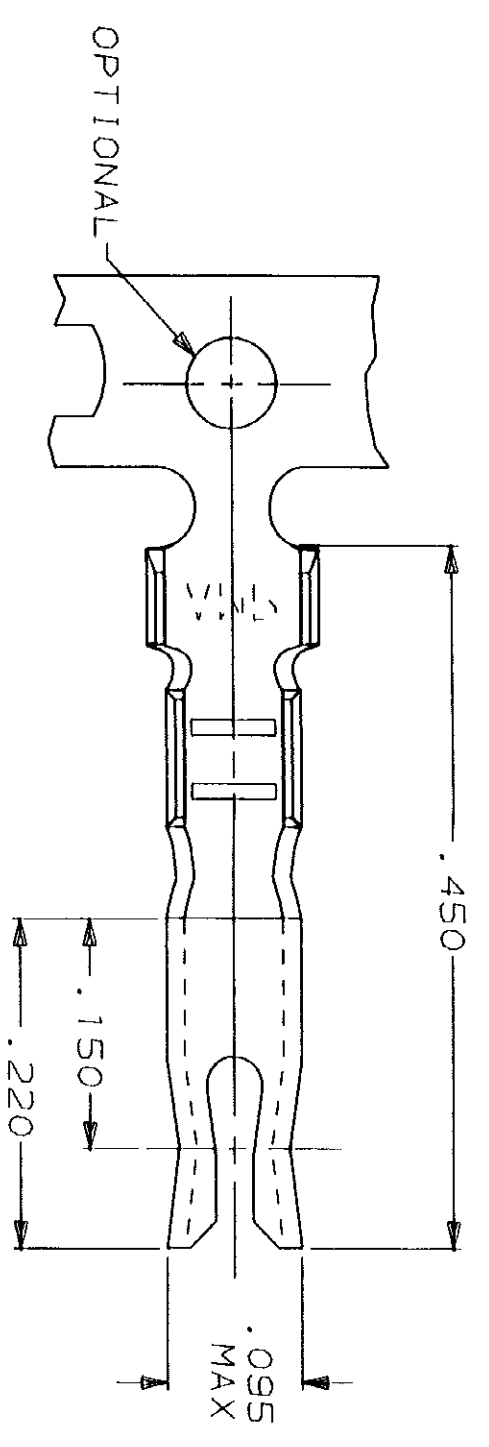
Contact us

Tel: +86-755-8981 8866 Fax: +86-755-8427 6832

Email & Skype: info@chipsmall.com Web: www.chipsmall.com

Address: A1208, Overseas Decoration Building, #122 Zhenhua RD., Futian, Shenzhen, China





- 1 CONTINUOUS STRIP ON REELS.
- 2 .000030 MIN GOLD PER MIL-G-45204 IN LOCALIZED GOLD PL AREA, GOLD FLASH ON REMAINDER OVER .000050 MIN NICKEL PER QQ-N-290.
- 3 .000080 MIN TIN PL PER MIL-T-10727.

LOC	DIST	F	ZONE	LTR	DESCRIPTION	DATE	APPD
AF	50			E	REV AND REDRAWN PER AF-7225	2/4/91	PF/JR

REVISIONS	
NO	DESCRIPTION
1	REV AND REDRAWN PER AF-7225

SECTION C-C

SECTION A-A
SCALE 10:1

SECTION B-B
SCALE 10:1

DO NOT SCALE PRINT. UNLESS SPECIFIED DIMENSIONS IN INCHES TOLERANCES ON:		DR	2/4/91	INSULATION RANGE	.048-.071 DIA	WIRE RANGE	24-20 AWG	PART NO	60885-2
3 PLG DEC ± .015 ANGLES		CHK	2/4/91						60885-1
MATERIAL		APPD	2/4/91						
#4 HARD PHOS BRONZE		APPD	2/4/91						
FINISH		PRODUCT SPEC	R WEAVILL						
SEE TABLE		APPLICATION SPEC							
		WEIGHT							

AMP AMP Incorporated
 Harrisburg, PA 17105-3608

RECEPTACLE, PIN, .055 DIA

SIZE	CAGE CODE	DRAWING NO
B	00779	60885
SCALE	8:1	SHEET
		1 OF 1