



Chipsmall Limited consists of a professional team with an average of over 10 year of expertise in the distribution of electronic components. Based in Hongkong, we have already established firm and mutual-benefit business relationships with customers from,Europe,America and south Asia,supplying obsolete and hard-to-find components to meet their specific needs.

With the principle of “Quality Parts,Customers Priority,Honest Operation,and Considerate Service”,our business mainly focus on the distribution of electronic components. Line cards we deal with include Microchip,ALPS,ROHM,Xilinx,Pulse,ON,Everlight and Freescale. Main products comprise IC,Modules,Potentiometer,IC Socket,Relay,Connector.Our parts cover such applications as commercial,industrial, and automotives areas.

We are looking forward to setting up business relationship with you and hope to provide you with the best service and solution. Let us make a better world for our industry!



Contact us

Tel: +86-755-8981 8866 Fax: +86-755-8427 6832

Email & Skype: info@chipsmall.com Web: www.chipsmall.com

Address: A1208, Overseas Decoration Building, #122 Zhenhua RD., Futian, Shenzhen, China



Dialight

609 Series

LED Panel Mount Indicators for 9.35mm Mounting Hole w/ Optional Watertight Capability



FEATURES / BENEFITS

- ▲ RoHS compliant*
- ▲ Long Life - typically 100K hours
- ▲ Low power consumption - uses up to 90% less energy than an incandescent indicator
- ▲ No heat generated
- ▲ Colors include red, green, and yellow
- ▲ Front panel mounting
- ▲ LED can be recessed or protrude from housing (see figure below)
- ▲ Available Watertight version: NEMA 4x/IP66

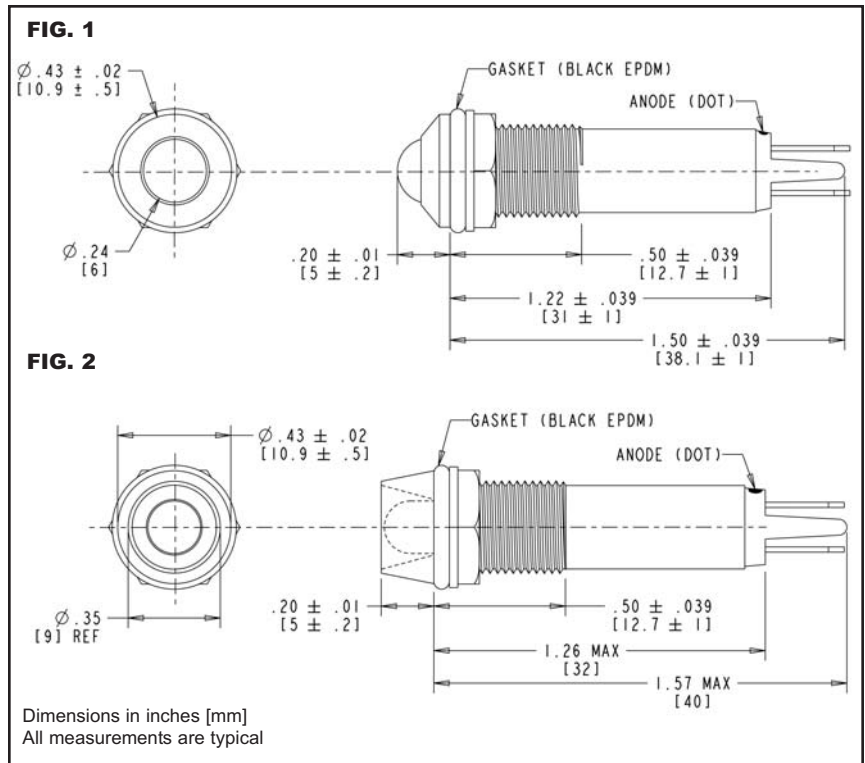
APPLICATIONS

Dialight's 600 series of metric indicators are designed for a variety of applications such as:

- Main and remote power indication
- Status Indication
- Maintenance and warning indication
- Instrumentation
- ...and many more!

SPECIFICATIONS

- ▲ Voltage requirements: 6, 12 and 24 VDC (no resistor required)
- ▲ Electrical connection through solder terminals
- ▲ Mounting hole size: 0.368 inches [9.35 mm]
- ▲ Maximum panel thickness:
0.376 inches [9.50mm]
w/ Gasket: 0.318 inches [8.0mm]
- ▲ Mounts with lock washer and nut (0.362 lbs/ft or 5 Kg/cm torque recommended)
- ▲ Operating Temperature : -30°C to +85°C
- ▲ Storage Temperature: -40°C to + 85°C
- ▲ Housing Material: Chrome plated brass or Black painted brass (See ordering note on back)
- ▲ Watertight Seal from front of panel meets NEMA 4X/IP66



*Compliant with exemption 6c, lead used as an alloying element in brass (up to 4% by weight)

Dialight Europe Ltd

Exning Road • Newmarket • Suffolk, United Kingdom, CB8 0AX
Tel :+44 (0)1638 666541 • www.dialight.com



Dialight reserves the right to make changes at any time
in order to supply the best product possible.



Dialight Corporation

1501 Route 34 South • Farmingdale, NJ 07727 USA
Tel: (1) 732-919-3119 • Fax: (1) 732-751-5778 • www.dialight.com



MDEL609X001_E

STANDARD VERSIONS

Part Number*	Color	Voltage (VDC)	Intensity** TYP. (mcd)	LED Positions	Fig.
609-1122-120F	Red	6	60	Protruding	1
609-1222-120F	Green	6	110	Protruding	1
609-1322-120F	Yellow	6	90	Protruding	1
609-1122-130F	Red	12	60	Protruding	1
609-1222-130F	Green	12	110	Protruding	1
609-1322-130F	Yellow	12	90	Protruding	1
609-1122-140F	Red	24	60	Protruding	1
609-1222-140F	Green	24	110	Protruding	1
609-1322-140F	Yellow	24	90	Protruding	1
609-2122-120F	Red	6	60	Recessed	2
609-2222-120F	Green	6	110	Recessed	2
609-2322-120F	Yellow	6	90	Recessed	2
609-2122-130F	Red	12	60	Recessed	2
609-2222-130F	Green	12	110	Recessed	2
609-2322-130F	Yellow	12	90	Recessed	2
609-2122-140F	Red	24	60	Recessed	2
609-2222-140F	Green	24	110	Recessed	2
609-2322-140F	Yellow	24	90	Recessed	2

WATERTIGHT VERSIONS

Part Number*	Color	Voltage (VDC)	Intensity** TYP. (mcd)	LED Positions	Fig.
609-1122-320F	Red	6	60	Protruding	1
609-1222-320F	Green	6	110	Protruding	1
609-1322-320F	Yellow	6	90	Protruding	1
609-1122-330F	Red	12	60	Protruding	1
609-1222-330F	Green	12	110	Protruding	1
609-1322-330F	Yellow	12	90	Protruding	1
609-1122-340F	Red	24	60	Protruding	1
609-1222-340F	Green	24	110	Protruding	1
609-1322-340F	Yellow	24	90	Protruding	1
609-2122-320F	Red	6	60	Recessed	2
609-2222-320F	Green	6	110	Recessed	2
609-2322-320F	Yellow	6	90	Recessed	2
609-2122-330F	Red	12	60	Recessed	2
609-2222-330F	Green	12	110	Recessed	2
609-2322-330F	Yellow	12	90	Recessed	2
609-2122-340F	Red	24	60	Recessed	2
609-2222-340F	Green	24	110	Recessed	2
609-2322-340F	Yellow	24	90	Recessed	2

*Also available in Chrome-plated brass housing. Insert "1" into the 6th position for the part number to designate chrome housing.

Ex: 609-1112-120F

**15 mA current

Dialight reserves the right to make changes at any time
in order to supply the best product possible.

Dialight Europe Ltd

Exning Road • Newmarket • Suffolk, United Kingdom, CB8 0AX

Tel: +44 (0)1638 666541 • www.dialight.com



Dialight Corporation

1501 Route 34 South • Farmingdale, NJ 07727 USA

Tel: (1) 732-919-3119 • Fax: (1) 732-751-5778 • www.dialight.com



MDEL609X001_E