



Chipsmall Limited consists of a professional team with an average of over 10 year of expertise in the distribution of electronic components. Based in Hongkong, we have already established firm and mutual-benefit business relationships with customers from,Europe,America and south Asia,supplying obsolete and hard-to-find components to meet their specific needs.

With the principle of “Quality Parts,Customers Priority,Honest Operation,and Considerate Service”,our business mainly focus on the distribution of electronic components. Line cards we deal with include Microchip,ALPS,ROHM,Xilinx,Pulse,ON,Everlight and Freescale. Main products comprise IC,Modules,Potentiometer,IC Socket,Relay,Connector.Our parts cover such applications as commercial,industrial, and automotives areas.

We are looking forward to setting up business relationship with you and hope to provide you with the best service and solution. Let us make a better world for our industry!



Contact us

Tel: +86-755-8981 8866 Fax: +86-755-8427 6832

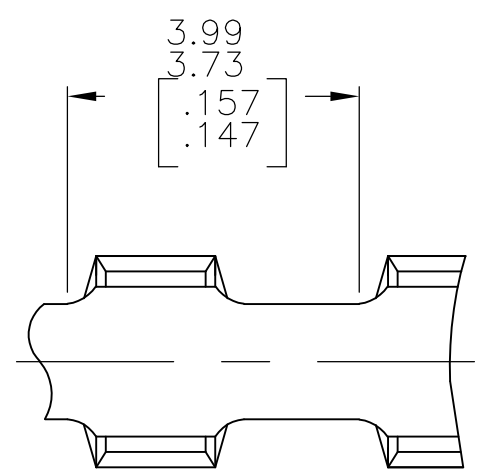
Email & Skype: info@chipsmall.com Web: www.chipsmall.com

Address: A1208, Overseas Decoration Building, #122 Zhenhua RD., Futian, Shenzhen, China

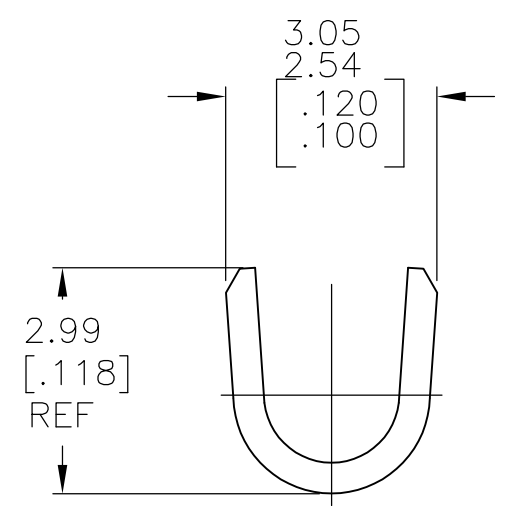
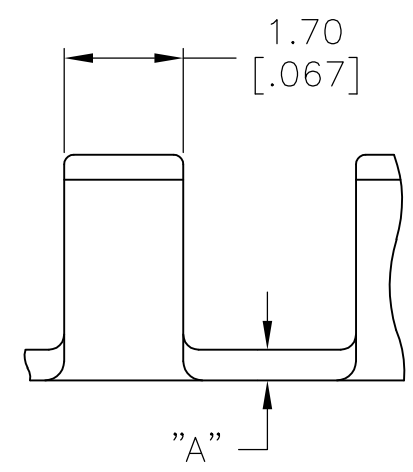


THIS DRAWING IS UNPUBLISHED. RELEASED FOR PUBLICATION
 © COPYRIGHT - By - ALL RIGHTS RESERVED.

LOC	DIST	REVISIONS			
P	LTR	DESCRIPTION	DATE	DWN	APVD
AF	50	G1	REVISED PER ECR-11-007368	30MAR09	HMR GP



- 1 PRODUCT PROVIDED IN CONTINUOUS (BREAK FREE) STRIP FORM ON REELS.
- 2 WIRE RANGE: 1.11-1.47mm²[2200 TO 2900 CMA]
- 3 CRIMP WIDTH: 2.29[.090] F TYPE.
 CRIMP HEIGHT IN INCHES (+/- .002) = (TOTAL CMA OF WIRE + 6550)/175000.



OBSOLETE	NONE	.016±.001	ANL. ST. STEEL	60933-3
	TIN	.012±.001	TEMP 2 STEEL	60933-2
OBSOLETE	TIN	.016±.001	082 BRASS	60933-1
	FINISH	"A" MATERIAL THICKNESS	MATERIAL	PART NO

THIS DRAWING IS A CONTROLLED DOCUMENT.		DWN RAGHAVENDRA 23FEB07	STE TE Connectivity		
DIMENSIONS: mm [INCHES]		CHK G.D.PORTA 23FEB07			
TOLERANCES UNLESS OTHERWISE SPECIFIED:		APVD G.D.PORTA 23FEB07	NAME		
0 PLC ± -		PRODUCT SPEC	SPLICE		
1 PLC ± -		APPLICATION SPEC	SIZE		
2 PLC ± 0.25[.010]		114-2088	CAGE CODE	DRAWING NO	RESTRICTED TO
3 PLC ± -		WEIGHT	A3	00779	C-60933
4 PLC ± -		CUSTOMER DRAWING	SCALE	SHEET	REV
ANGLES ± -			10:1	1 OF 1	G1
FINISH					
SEE TABLE					