



Chipsmall Limited consists of a professional team with an average of over 10 year of expertise in the distribution of electronic components. Based in Hongkong, we have already established firm and mutual-benefit business relationships with customers from,Europe,America and south Asia,supplying obsolete and hard-to-find components to meet their specific needs.

With the principle of “Quality Parts,Customers Priority,Honest Operation,and Considerate Service”,our business mainly focus on the distribution of electronic components. Line cards we deal with include Microchip,ALPS,ROHM,Xilinx,Pulse,ON,Everlight and Freescale. Main products comprise IC,Modules,Potentiometer,IC Socket,Relay,Connector.Our parts cover such applications as commercial,industrial, and automotives areas.

We are looking forward to setting up business relationship with you and hope to provide you with the best service and solution. Let us make a better world for our industry!



## Contact us

Tel: +86-755-8981 8866 Fax: +86-755-8427 6832

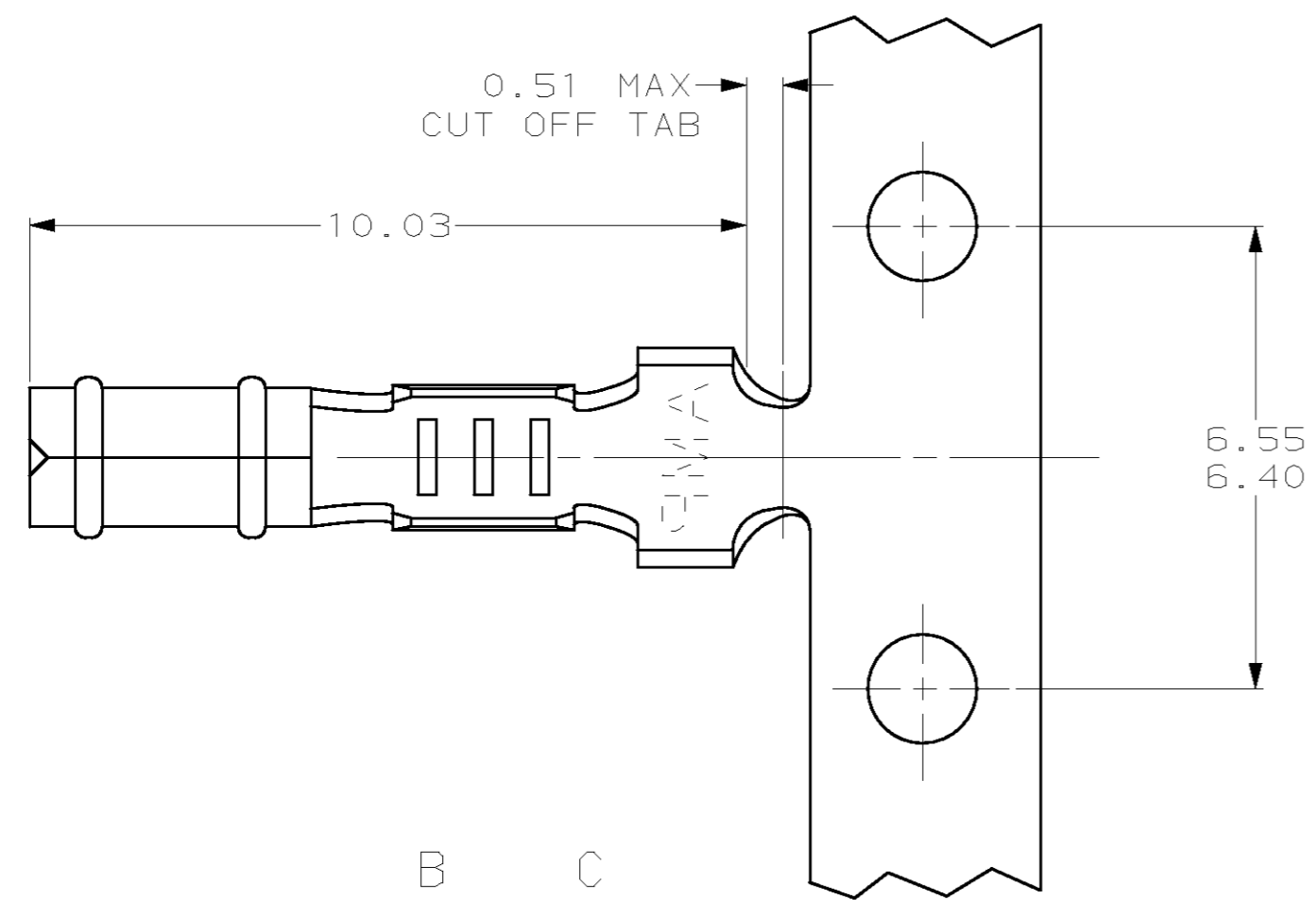
Email & Skype: info@chipsmall.com Web: www.chipsmall.com

Address: A1208, Overseas Decoration Building, #122 Zhenhua RD., Futian, Shenzhen, China



THIS DRAWING IS UNPUBLISHED. RELEASED FOR PUBLICATION  
 (C) COPYRIGHT 19 BY AMP INCORPORATED. ALL RIGHTS RESERVED.

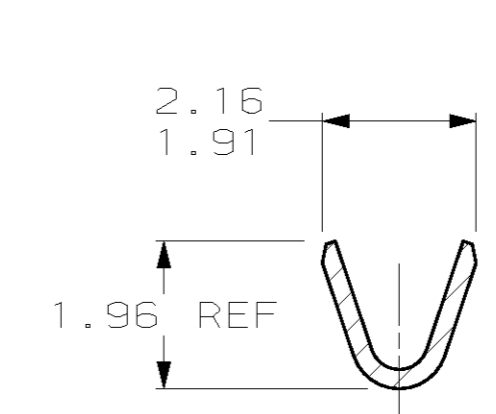
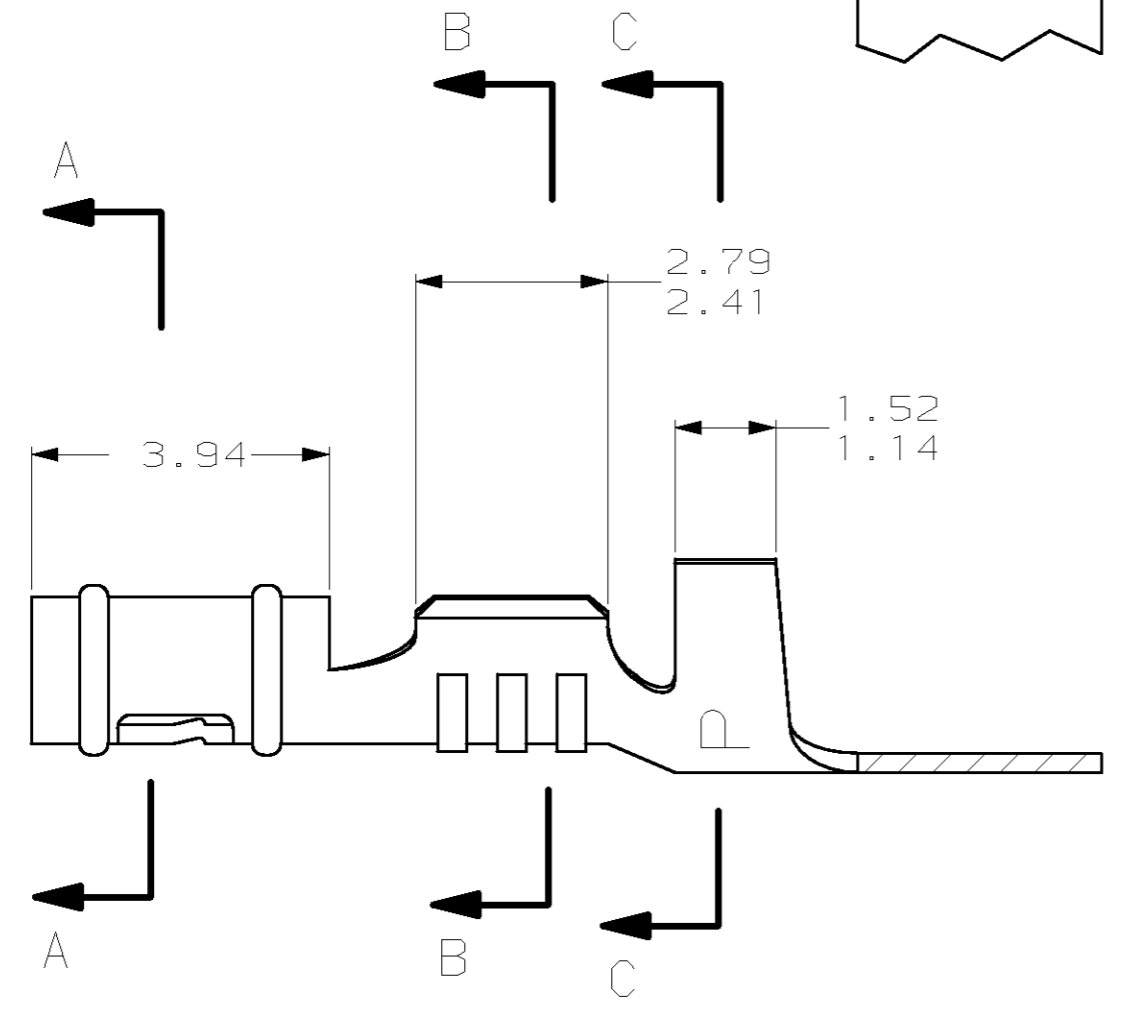
LOC	DIST	REVISIONS			
P	LTR	DESCRIPTION	DATE	DWN	APVD
CM	52	U	OBS -4 PER EC OL30-0251-97	8-31-98	JH RS



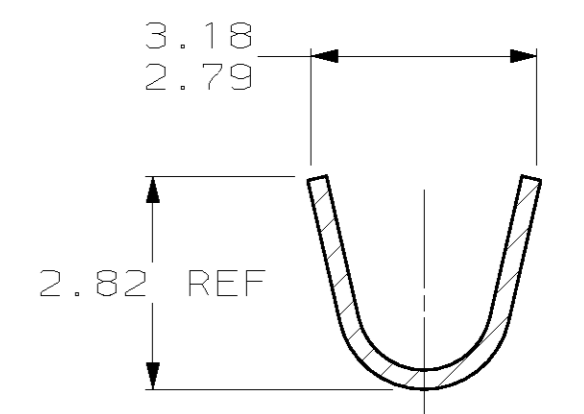
- 2. WIRE RANGE: 0.2 - 0.6 MM<sup>2</sup> (24 - 20 AWG)
- 3. INSULATION RANGE: 1.52 - 2.29
- △ 0.00203 MIN MATTE TIN PLATING OVER ALL.



SECTION A-A



SECTION B-B



SECTION C-C

△	0.25 BE CU	60939-2
PRE-TIN	0.25 PH BRZ	60939-1
FINISH	MATERIAL	PART NUMBER

MM	IN	MM	IN	MM	IN	MM	IN
1.359	.0535	2.16	.085	3.94	.155	-	-
1.14	.045	1.96	.077	3.18	.125	-	-
0.51	.020	1.91	.075	2.82	.111	-	-
0.25	.010	1.52	.060	2.79	.110	10.03	.395
0.13	.005	1.486	.0585	2.41	.095	6.55	.258
0.00203	.000080	1.47	.058	2.29	.090	6.40	.252
MM	IN	MM	IN	MM	IN	MM	IN

CONVERSION TABLE

**METRIC**

THIS DRAWING IS A CONTROLLED DOCUMENT.

DWN	T. BECK	5-19-97
CHK	R. SWING	5-19-97
APVD	A. BEDDICK	8-08-97

AMP Incorporated  
 Harrisburg, PA 17105-3608

NAME: RECEPTACLE, .058 DIAMETER, 24-20 AWG, .060-.090 INSULATION, P.C. CONTACT

SIZE: A2 CAGE CODE: 00779 DRAWING NO: 60939

RESTRICTED TO: -

CUSTOMER DRAWING SCALE: 10:1 SHEET: 1 OF 1 REV: U