



Chipsmall Limited consists of a professional team with an average of over 10 year of expertise in the distribution of electronic components. Based in Hongkong, we have already established firm and mutual-benefit business relationships with customers from,Europe,America and south Asia,supplying obsolete and hard-to-find components to meet their specific needs.

With the principle of “Quality Parts,Customers Priority,Honest Operation,and Considerate Service”,our business mainly focus on the distribution of electronic components. Line cards we deal with include Microchip,ALPS,ROHM,Xilinx,Pulse,ON,Everlight and Freescale. Main products comprise IC,Modules,Potentiometer,IC Socket,Relay,Connector.Our parts cover such applications as commercial,industrial, and automotives areas.

We are looking forward to setting up business relationship with you and hope to provide you with the best service and solution. Let us make a better world for our industry!



Contact us

Tel: +86-755-8981 8866 Fax: +86-755-8427 6832

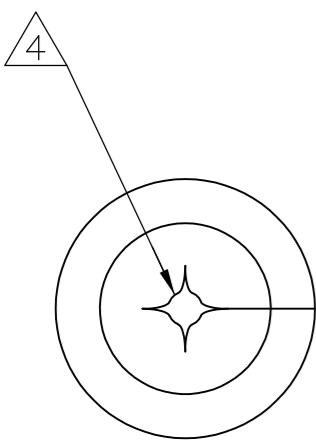
Email & Skype: info@chipsmall.com Web: www.chipsmall.com

Address: A1208, Overseas Decoration Building, #122 Zhenhua RD., Futian, Shenzhen, China

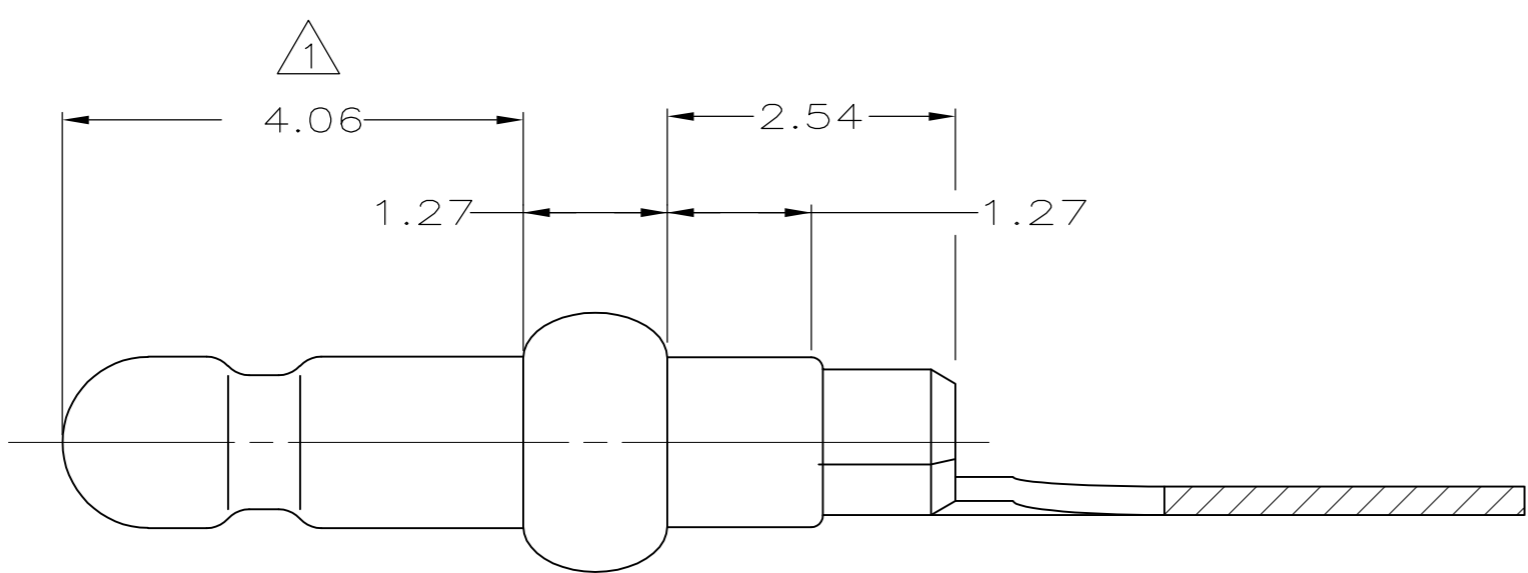
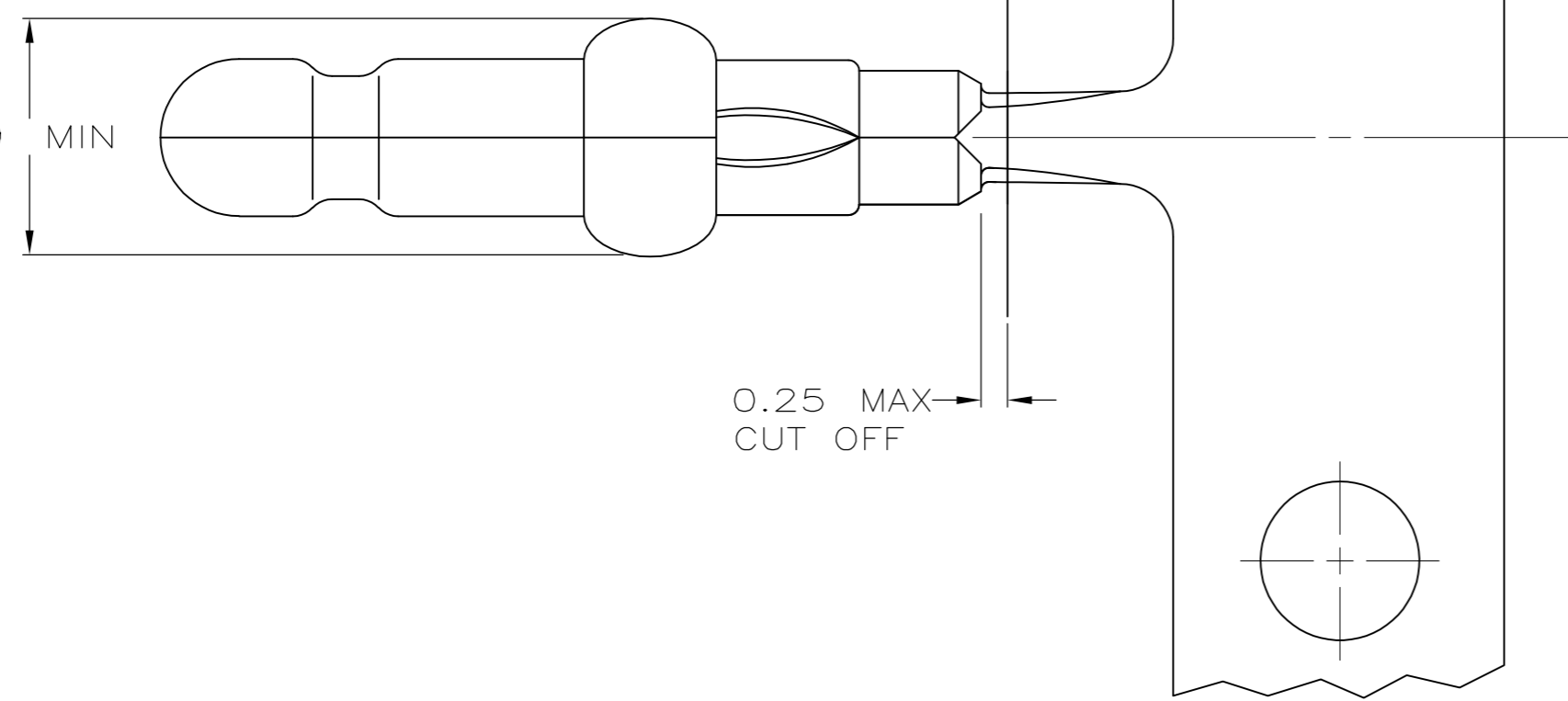


THIS DRAWING IS UNPUBLISHED. RELEASED FOR PUBLICATION
 © COPYRIGHT BY TYCO ELECTRONICS CORPORATION. ALL RIGHTS RESERVED.

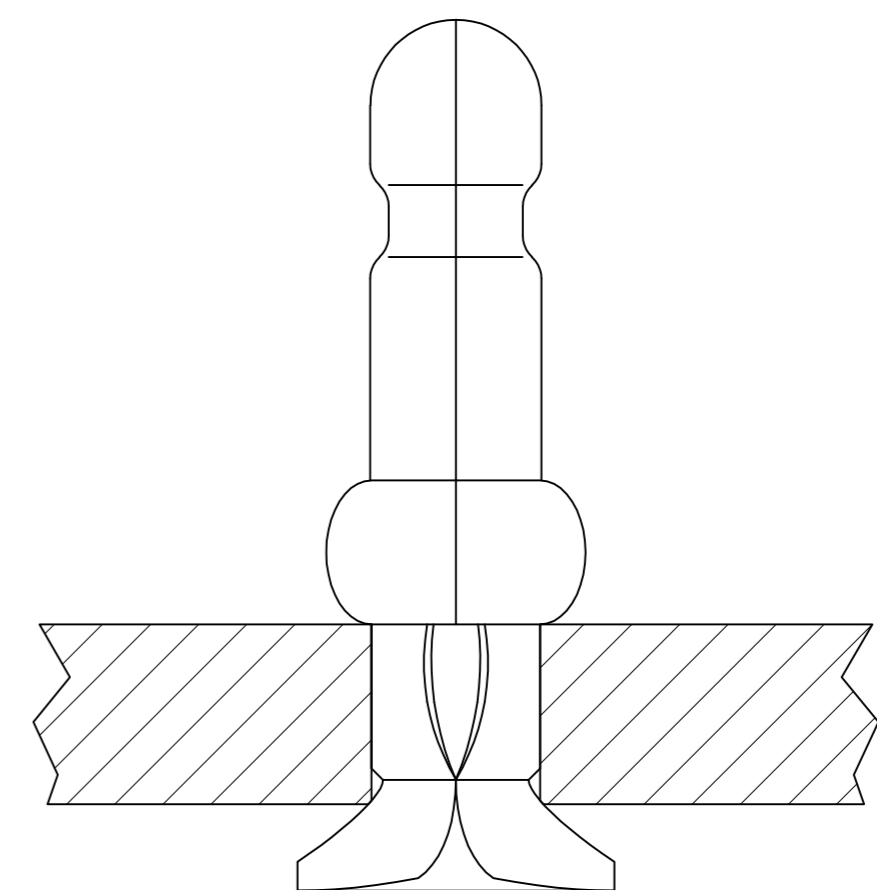
LOC	DIST	REVISIONS			
P	LTR	DESCRIPTION	DATE	DWN	APVD
CM	0				
	Z	REVISED PER ECO-065-010625	18MAY06	KW	JE
	Z1	REVISED PER ECO-09-020932	07SEP09	KK	AEG



Ø2.29 MIN



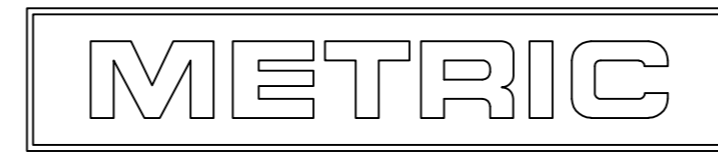
- 1. 0.00076 MIN GOLD PLATING IN THIS AREA WITH 0.00381 MIN MATTE TIN LEAD ON THE REMAINDER, BOTH OVER 0.00127 MIN NICKEL UNDERPLATE.
- 2. FITS 1.40 - 1.55 DIAMETER HOLE IN A 1.59 PRINTED CIRCUIT BOARD.
- 3. PARTS TO COMPLY WITH AMP SOLDERABILITY SPECIFICATION 109-11-3.
- 4. 0.05 - 0.25 DIAMETER OPENING REQUIRED IN TIP OF PIN.
- 5. APPLICATOR FEED: 8.00 - 8.26
- 6. 0.00076 MIN GOLD PLATING IN THIS AREA WITH 0.00381 MIN MATTE TIN ON THE REMAINDER, BOTH OVER 0.00127 MIN NICKEL UNDERPLATE.
- 7. OBSOLETE PARTS: OBSOLETE CIS STREAMLINING PER D.RENAUD/D.SINISI



6	3-60973-2
-	60973-3
1	-60973-2
PRE TIN FINISH	60973-1
	PART NUMBER

MM	IN	MM	IN	MM	IN	MM	IN
0.13	.005	1.55	.061	8.00	.315	-	-
0.05	.002	1.47	.058	4.06	.160	-	-
0.00381	.000150	1.40	.055	2.54	.100	-	-
0.00127	.000050	1.27	.050	2.29	.090	-	-
0.00076	.000030	0.25	.010	1.59	.063	8.26	.325

CONVERSION TABLE



THIS DRAWING IS A CONTROLLED DOCUMENT.		DWN T. BECK 8-21-97	Tyco Electronics Corporation Harrisburg, PA 17105-3608	
DIMENSIONS: mm		CHK R. SWING 8-21-97	NAME	
TOLERANCES UNLESS OTHERWISE SPECIFIED:		APVD A. BEDDICK 9-10-97	PRODUCT SPEC 108-1025	
0 PLC ± -		APPLICATION SPEC 114-1008		
1 PLC ± -		WEIGHT -		
2 PLC ± 0.13		SIZE A2 CAGE CODE 00779 DRAWING NO C-60973		
3 PLC ± -		RESTRICTED TO -		
4 PLC ± -		SCALE 15:1 SHEET 1 OF 1 REV Z1		
ANGLES ± -		CUSTOMER DRAWING		
FINISH SEE TABLE				