



Chipsmall Limited consists of a professional team with an average of over 10 year of expertise in the distribution of electronic components. Based in Hongkong, we have already established firm and mutual-benefit business relationships with customers from,Europe,America and south Asia,supplying obsolete and hard-to-find components to meet their specific needs.

With the principle of “Quality Parts,Customers Priority,Honest Operation,and Considerate Service”,our business mainly focus on the distribution of electronic components. Line cards we deal with include Microchip,ALPS,ROHM,Xilinx,Pulse,ON,Everlight and Freescale. Main products comprise IC,Modules,Potentiometer,IC Socket,Relay,Connector.Our parts cover such applications as commercial,industrial, and automotives areas.

We are looking forward to setting up business relationship with you and hope to provide you with the best service and solution. Let us make a better world for our industry!



Contact us

Tel: +86-755-8981 8866 Fax: +86-755-8427 6832

Email & Skype: info@chipsmall.com Web: www.chipsmall.com

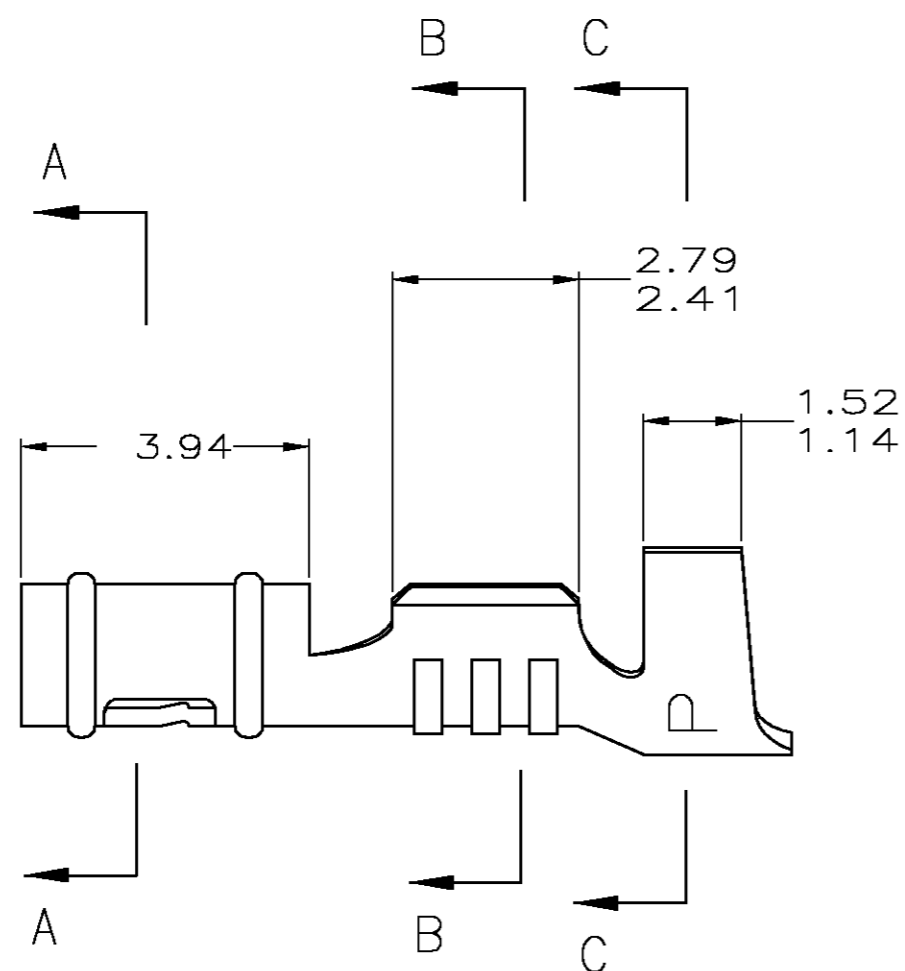
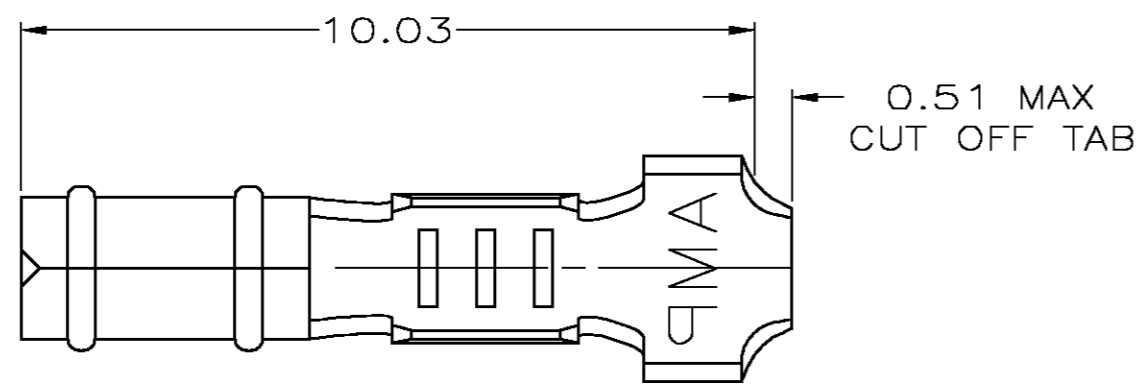
Address: A1208, Overseas Decoration Building, #122 Zhenhua RD., Futian, Shenzhen, China



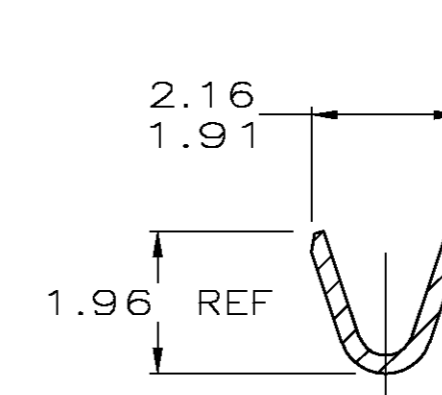
THIS DRAWING IS UNPUBLISHED. RELEASED FOR PUBLICATION
 © COPYRIGHT BY TYCO ELECTRONICS CORPORATION. ALL RIGHTS RESERVED.

LOC	DIST	REVISIONS			
P	LTR	DESCRIPTION	DATE	DWN	APVD
CM	00	R1	REVISED PER 0G3B-0209-04	04-MAR-04	KW JE

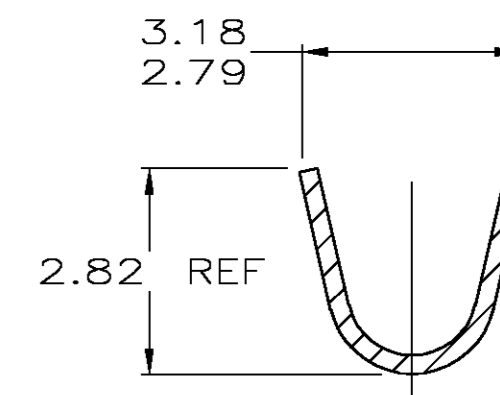
1. WIRE RANGE: 0.2 - 0.6 MM² (24 - 20 AWG)
2. INSULATION RANGE: 1.52 - 2.29



SECTION A-A



SECTION B-B



SECTION C-C

PRE-TIN FINISH	0.25 PH BRZ MATERIAL	60986-1 PART NUMBER
----------------	----------------------	---------------------

MM	IN	MM	IN	MM	IN	MM	IN
1.359	.0535	1.96	.077	2.82	.111	-	-
1.14	.045	1.91	.075	2.79	.110	-	-
0.51	.020	1.52	.060	2.41	.095	10.03	.395
0.25	.010	1.486	.0585	2.29	.090	3.94	.155
0.13	.005	1.47	.058	2.16	.085	3.18	.125
MM	IN	MM	IN	MM	IN	MM	IN

CONVERSION TABLE



THIS DRAWING IS A CONTROLLED DOCUMENT.

DWN K. WHITAKER 04-MAR-04	Tyco Electronics Corporation Harrisburg, Pa 17105-3608						
CHK J. ELLIS 04-MAR-04							
APVD J. ELLIS 04-MAR-04							
NAME							
DIMENSIONS: INCHES	TOLERANCES UNLESS OTHERWISE SPECIFIED: 0 PLC ± - 1 PLC ± - 2 PLC ± - 3 PLC ± .005 4 PLC ± - ANGLES ± 0°30'	PRODUCT SPEC 108-1025	APPLICATION SPEC 114-1008	SIZE A2	CAGE CODE 00779	DRAWING NO C=60986	RESTRICTED TO -
MATERIAL SEE TABLE	FINISH SEE TABLE	WEIGHT -	CUSTOMER DRAWING	SCALE 10:1	SHEET 1 OF 1	REV R1	