



Chipsmall Limited consists of a professional team with an average of over 10 year of expertise in the distribution of electronic components. Based in Hongkong, we have already established firm and mutual-benefit business relationships with customers from,Europe,America and south Asia,supplying obsolete and hard-to-find components to meet their specific needs.

With the principle of “Quality Parts,Customers Priority,Honest Operation,and Considerate Service”,our business mainly focus on the distribution of electronic components. Line cards we deal with include Microchip,ALPS,ROHM,Xilinx,Pulse,ON,Everlight and Freescale. Main products comprise IC,Modules,Potentiometer,IC Socket,Relay,Connector.Our parts cover such applications as commercial,industrial, and automotives areas.

We are looking forward to setting up business relationship with you and hope to provide you with the best service and solution. Let us make a better world for our industry!



## Contact us

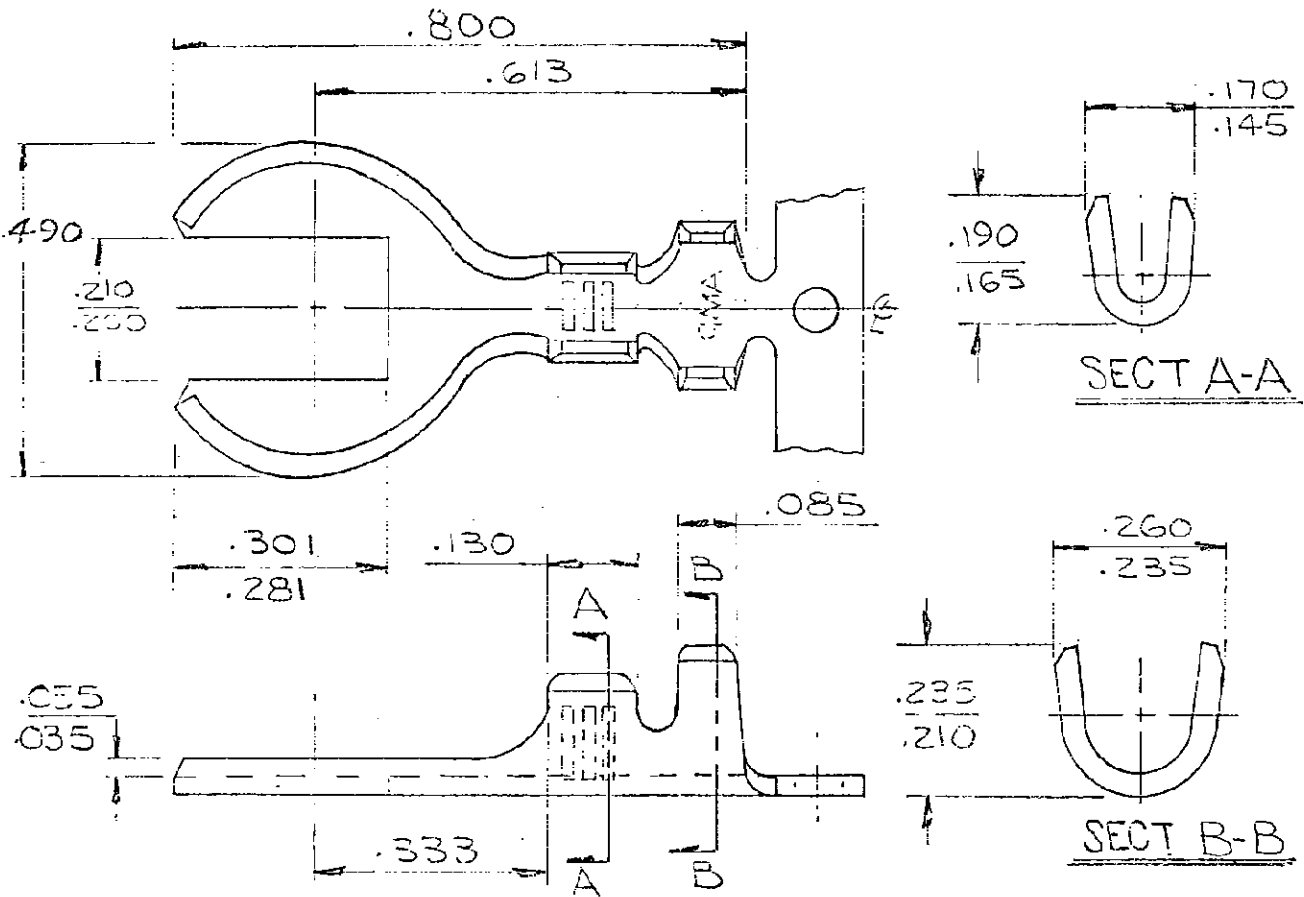
Tel: +86-755-8981 8866 Fax: +86-755-8427 6832

Email & Skype: info@chipsmall.com Web: www.chipsmall.com

Address: A1208, Overseas Decoration Building, #122 Zhenhua RD., Futian, Shenzhen, China



NUMBER  
 60998



1. CONTINUOUS STRIP, ON REELS

WIRE SIZE AWG	INSULATION RANGE	MATERIAL AND FINISH	TERMINAL NUMBER
18-14	.120-.180	.031 COPPER-TIN	60998-1
18-14	.120-.180	.031 COPPER-TIN	60998-2

2. 60998-2 IS REVERSE REEL OF 60998-1

DIMENSIONS IN INCHES, DO NOT SCALE PRINT

© 1966 BY AMP INCORPORATED, ALL RIGHTS RESERVED. AMP PRODUCTS COVERED BY PATENTS AND/OR PATENTS PENDING.		CUSTOMER COPY REFERENCE ONLY	
MATERIAL AND FINISH		Tyco Electronics Corporation Harrisburg, PA 17105-3608	
CLASS		CLASS	
WIRE RANGE		INSULATION TYPE	
TOLERANCE EXCEPT AS NOTED ± .015		SCALE 4-1	
NAME		60998	
NAME		SPADE	

DR	REVISED PER ECR-10-006099	HMR	PD	07JUL10
CHK	VISION RECORD	DR	CHK	DATE
DR	3-10-66	DE		
CHK	3/10/66	APP		

50