



Chipsmall Limited consists of a professional team with an average of over 10 year of expertise in the distribution of electronic components. Based in Hongkong, we have already established firm and mutual-benefit business relationships with customers from,Europe,America and south Asia,supplying obsolete and hard-to-find components to meet their specific needs.

With the principle of “Quality Parts,Customers Priority,Honest Operation,and Considerate Service”,our business mainly focus on the distribution of electronic components. Line cards we deal with include Microchip,ALPS,ROHM,Xilinx,Pulse,ON,Everlight and Freescale. Main products comprise IC,Modules,Potentiometer,IC Socket,Relay,Connector.Our parts cover such applications as commercial,industrial, and automotives areas.

We are looking forward to setting up business relationship with you and hope to provide you with the best service and solution. Let us make a better world for our industry!



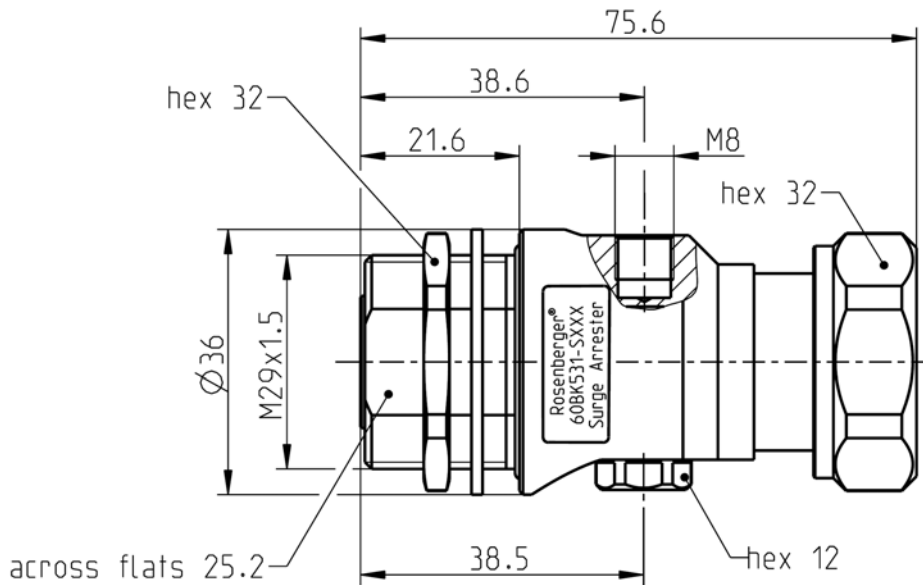
Contact us

Tel: +86-755-8981 8866 Fax: +86-755-8427 6832

Email & Skype: info@chipsmall.com Web: www.chipsmall.com

Address: A1208, Overseas Decoration Building, #122 Zhenhua RD., Futian, Shenzhen, China





All dimensions are in mm; tolerances according to ISO 2768 m-H

Available Variants

Order No.	Nom. DC spark over voltage	Gas capsule
60BK531-S090N1	90 V	53ZB01-090
60BK531-S230N1	230 V	53ZB01-230
60BK531-S350N1	350 V	53ZB01-350

Interface

According to IEC 61169-4, EN 122190, DIN 47223

Documents

Assembly instruction 53 MV-A001
Panel piercing B 75

Material and Plating

Connector parts

Center contact jack side
Center contact plug side
Outer contact
Body
Dielectric
Gasket

Material

Spring bronze
Brass
Brass
Brass
PTFE
Silicone

Plating

Silver, 3-6 µm
Silver, 3-6 µm
Flash white bronze over silver(e.g. Optargen®)
Flash white bronze over silver(e.g. Optargen®)

7-16

Surge Arrester
Bulkhead Jack - Plug

60BK531-SXXXN1

Electrical Data

Impedance	50 Ω
Frequency	DC to 2.2 GHz
Return loss	≥ 30 dB @ DC to 1.5 GHz ≥ 22 dB @ 1.5 GHz to 1.9 GHz ≥ 16 dB @ 1.9 GHz to 2.2 GHz
Insertion loss	≤ 0.1 x √f [GHz] dB
Insulation resistance	≥ 10 GΩ
Center contact resistance	≤ 0.4 mΩ
Outer contact resistance	≤ 1.5 mΩ
Power handling (at 20 °C, sea level, VSWR 1.0)	P=U ² /R (W) (depending on the gas capsule)
RF-leakage	≥ 128 dB @ DC to 1 GHz
Nominal impulse discharge current	20 kA (8/20 μs)
Nom. DC spark over voltage	see table on page one

Mechanical Data

Mating cycles	≥ 500
Coupling nut retention	≥ 1000 N
Center contact captivation: axial	≥ 200 N
radial	≥ 2 Ncm
Coupling torque (recommended)	25 to 30 Nm
Proof torque	≤ 35 Nm
Screw tightening torque with gas capsule	9 Nm min.

Environmental Data

Temperature range	-45 °C to +85 °C
Rapid change of temperature	DIN EN 122190, Sub-clause 4.6.7
Corrosion resistance	DIN EN 122190, Sub-clause 4.6.10
Vibration	DIN EN 122190, Sub-clause 4.6.3
Climatic category	DIN EN 122190, Sub-clause 4.6.5 (45/85/56)
Damp heat	DIN EN 122190, Sub-clause 4.6.6
Degree of protection (mated pair)	IEC 60529, IP68 2.5 bar
RoHS	compliant

Weight

Weight	340 g/pce
--------	-----------

While the information has been carefully compiled to the best of our knowledge, nothing is intended as representation or warranty on our part and no statement herein shall be construed as recommendation to infringe existing patents. In the effort to improve our products, we reserve the right to make changes judged to be necessary.

Draft	Date	Approved	Date	Rev.	Engineering change number	Name	Date
M. Wimmer	07.05.13	Sa. Krautenbacher	20.03.14	c00	14-0352	T. Krojer	20.03.14
Rosenberger Hochfrequenztechnik GmbH & Co. KG P.O.Box 1260 D-84526 Tittmoning Germany www.rosenberger.de					Tel. : +49 8684 18-0 Fax : +49 8684 18-499 Email : info@rosenberger.de		Page 2 / 2