



Chipsmall Limited consists of a professional team with an average of over 10 year of expertise in the distribution of electronic components. Based in Hongkong, we have already established firm and mutual-benefit business relationships with customers from,Europe,America and south Asia,supplying obsolete and hard-to-find components to meet their specific needs.

With the principle of “Quality Parts,Customers Priority,Honest Operation,and Considerate Service”,our business mainly focus on the distribution of electronic components. Line cards we deal with include Microchip,ALPS,ROHM,Xilinx,Pulse,ON,Everlight and Freescale. Main products comprise IC,Modules,Potentiometer,IC Socket,Relay,Connector.Our parts cover such applications as commercial,industrial, and automotives areas.

We are looking forward to setting up business relationship with you and hope to provide you with the best service and solution. Let us make a better world for our industry!



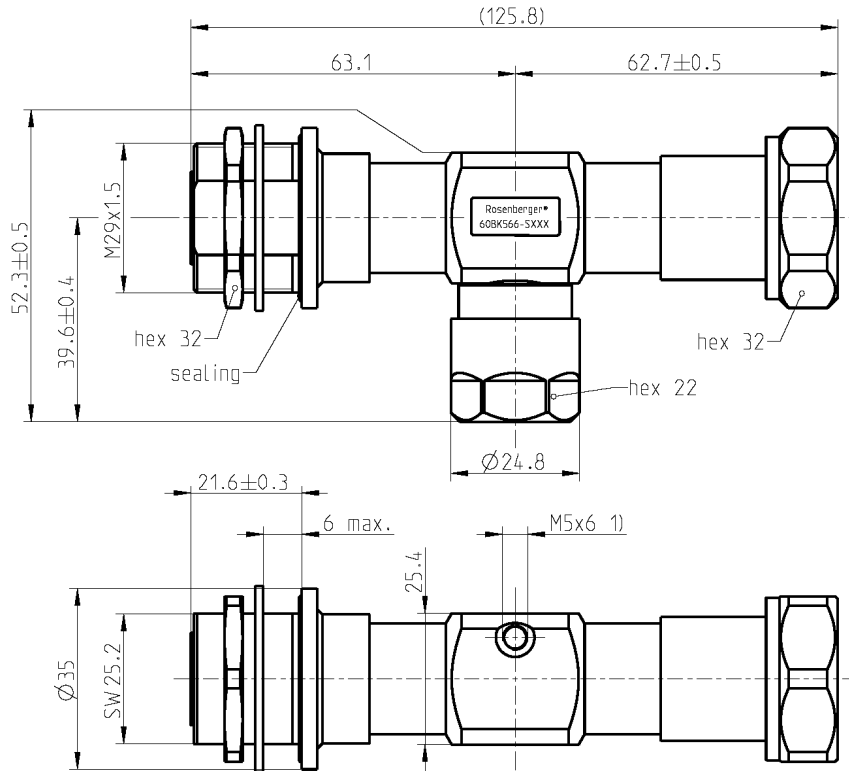
Contact us

Tel: +86-755-8981 8866 Fax: +86-755-8427 6832

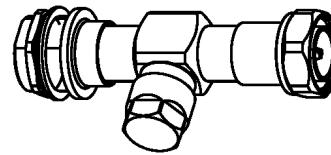
Email & Skype: info@chipsmall.com Web: www.chipsmall.com

Address: A1208, Overseas Decoration Building, #122 Zhenhua RD., Futian, Shenzhen, China





1) thread for grounding-screw M5, washer and spring washer loose insert



All dimensions are in mm; tolerances according to ISO 2768 m-H

Order No	Nom. DC spark over voltage	Residual voltage (20kA 8/20 μs)	Residual voltage (4kV 1.2/50μs, 2kA 8/20 μs)	Residual energy (4kV 1.2/50μs, 2kA 8/20 μs)	Power handling (20 °C, sea level, VSWR 1.0)	Gas capsule
60BK566-S090N1	90 V	≤ 650 V	≤ 650 V	≤ 1 mJ	1000 W	53ZB01-090
60BK566-S230N1	230 V	≤ 900 V	≤ 700 V	≤ 1.6 mJ	5000 W	53ZB01-230
60BK566-S350N1	350 V	≤ 1000 V	≤ 900 V	≤ 2 mJ	10000 W	53ZB01-350

Interface

According to IEC 61169-4, EN 122190, DIN 47223

Documents

Panel piercing B 75
Assembly instruction 53_MV-A002

Material and plating

Connector parts

Center contact female side
Center contact male side
Outer contact
Body
Dielectric
Gasket

Material

Spring bronze
Brass
Brass
Brass
PTFE
Silicone

Plating

Silver, 3-6 μm
Silver, 3-6 μm
Flash white bronze over silver(e.g. Optargen®)
Flash white bronze over silver(e.g. Optargen®)

Electrical data

Impedance	50 Ω
Operating frequency	1.7 MHz – 12 MHz, 698 to 2700 MHz
Return Loss	≥ 14 dB, 1.7 to 12 MHz ≥ 26 dB, 698 to 2700 MHz
Insertion Loss	≤ 1.0 dB, 1.7 to 12 MHz ≤ 0.1 dB, 698 to 2700 MHz
Center contact resistance	< 0.4 mΩ
Outer contact resistance	< 1.5 mΩ
RF-leakage	< -128 dB @ 1 GHz
Intermodulation (3 rd Order)	< -115 dBm @ 2 x 20 W
DC pass	20A @ 50V (90V gas capsule)
AISG	pass
Nominal impulse discharge current	10 x 20 kA (8/20 μs) 1 x 30 kA (8/20 μs)

Mechanical data

Mating cycles	min. 500
Coupling nut retention	≥ 1000 N
Center contact captivation: axial	≥ 200 N
radial	≥ 2 Ncm
Coupling torque (recommended)	25 to 30 Nm
Proof torque	max. 35 Nm

Environmental data

Temperature range	-45°C to +85°C
Rapid change of temperature	IEC 60068-2-14 Test Na
Corrosion salt mist	IEC 60068-2-11 Test Ka
Vibration	IEC 60068-2-6 Test Fc
Shock	IEC 60068-2-27 Test Ea
Climatic class	IEC 60068-1 (45/85/56)
Cold	IEC 60068-2-1 Test A
Dry heat	IEC 60068-2-2 Test B
Damp heat (steady state)	IEC 60068-2-3 Test Ca
Degree of protection (mated pair)	IEC 60529, IP68 2.5 bar, mated condition
RoHS	compliant

Weight

Weight	519 g/pce
--------	-----------

While the information has been carefully compiled to the best of our knowledge, nothing is intended as representation or warranty on our part and no statement herein shall be construed as recommendation to infringe existing patents. In the effort to improve our products, we reserve the right to make changes judged to be necessary.

Dieses Dokument ist urheberrechtlich geschützt • This document is protected by copyright • Rosenberger Hochfrequenztechnik GmbH & Co. KG

RF_35/05.10/6.0

Draft	Date	Approved	Date	Rev.	Engineering change number	Name	Date
Hauke Schütt	03.03.10	Sa. Krautenbacher	20.03.14	d00	14-0352	T. Krojer	20.03.14
Rosenberger Hochfrequenztechnik GmbH & Co. KG P.O.Box 1260 D-84526 Tittmoning Germany www.rosenberger.de					Tel.: +49 8684 18-0 Fax: +49 8684 18-499 email: info@rosenberger.de		Page 2 / 2