



Chipsmall Limited consists of a professional team with an average of over 10 year of expertise in the distribution of electronic components. Based in Hongkong, we have already established firm and mutual-benefit business relationships with customers from,Europe,America and south Asia,supplying obsolete and hard-to-find components to meet their specific needs.

With the principle of "Quality Parts,Customers Priority,Honest Operation,and Considerate Service",our business mainly focus on the distribution of electronic components. Line cards we deal with include Microchip,ALPS,ROHM,Xilinx,Pulse,ON,Everlight and Freescale. Main products comprise IC,Modules,Potentiometer,IC Socket,Relay,Connector.Our parts cover such applications as commercial,industrial, and automotives areas.

We are looking forward to setting up business relationship with you and hope to provide you with the best service and solution. Let us make a better world for our industry!



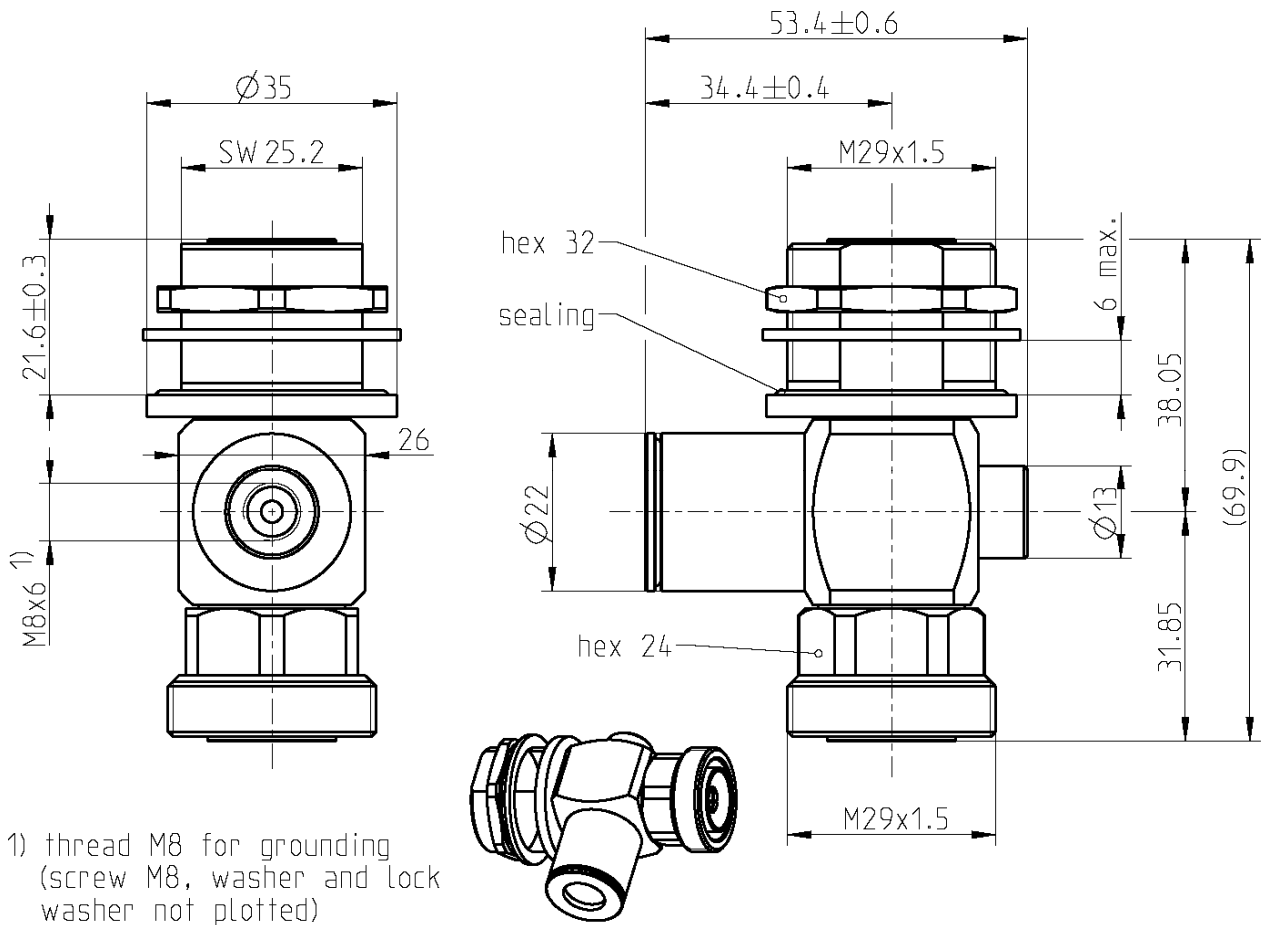
Contact us

Tel: +86-755-8981 8866 Fax: +86-755-8427 6832

Email & Skype: info@chipsmall.com Web: www.chipsmall.com

Address: A1208, Overseas Decoration Building, #122 Zhenhua RD., Futian, Shenzhen, China





All dimensions are in mm; tolerances according to ISO 2768 m-H

Interface

According to IEC 61169-4, EN 122190, DIN 47223

Documents

Panel piercing B 75

Material and plating

Connector parts

Center contact	Spring bronze
Outer contact	Brass
Body	Brass
Dielectric	PTFE
Gasket	Silicone

Plating

Silver, 3-6 µm
Flash white bronze over silver(e.g. Optargen®)
Flash white bronze over silver(e.g. Optargen®)

Electrical data

Impedance	50 Ω
Operating frequency	698 to 2700 MHz
Return Loss	≥ 21 dB, 698 to 800 MHz ≥ 26 dB, 800 to 960 MHz ≥ 21 dB, 960 to 1700 MHz ≥ 24 dB, 1700 to 2500 MHz ≥ 21 dB, 2500 to 2700 MHz
Insertion Loss	≤ 0.1 dB
Center contact resistance	< 0.4 mΩ
Outer contact resistance	< 1.5 mΩ
Power handling (at 20 °C, sea level, VSWR 1.0)	1.8 KW @ 1 GHz
RF-leakage	≥ 128 dB @ 1 GHz
Intermodulation (3 rd Order)	< -117 dBm @ 2 x 20 W
Nominal impulse discharge current	25 kA (8/20 μs)
Residual voltage	< 160 V @ 20kA, 8/20 μs < 15 V @ 4kV 1.2/50μs, 2kA 8/20 μs
Residual energy	< 30 μJ @ 4kV 1.2/50μs, 2kA 8/20 μs

Mechanical data

Mating cycles	min. 500
Coupling nut retention	≥ 1000 N
Center contact captivation: axial	≥ 200 N
radial	≥ 2 Ncm
Coupling torque (recommended)	25 to 30 Nm
Proof torque	max. 35 Nm

Environmental data

Temperature range	-45°C to +85°C
Rapid change of temperature	IEC 60068-2-14 Test Na
Corrosion salt mist	IEC 60068-2-11 Test Ka
Vibration	IEC 60068-2-6 Test Fc
Shock	IEC 60068-2-27 Test Ea
Climatic class	IEC 60068-1 (45/85/56)
Cold	IEC 60068-2-1 Test A
Dry heat	IEC 60068-2-2 Test B
Damp heat (steady state)	IEC 60068-2-3 Test Ca
Degree of protection (mated pair)	IEC 60529, IP68, mated condition
RoHS	compliant

Weight

Weight	260 g/pce
--------	-----------

While the information has been carefully compiled to the best of our knowledge, nothing is intended as representation or warranty on our part and no statement herein shall be construed as recommendation to infringe existing patents. In the effort to improve our products, we reserve the right to make changes judged to be necessary.

Draft	Date	Approved	Date	Rev.	Engineering change number	Name	Date
Martin Wimmer	17/10/11	Sa. Krautenbacher	20.03.14	b00	14-0352	T. Krojer	20.03.14
Rosenberger Hochfrequenztechnik GmbH & Co. KG P.O.Box 1260 D-84526 Tittmoning Germany www.rosenberger.de					Tel.: +49 8684 18-0 Fax: +49 8684 18-499 email: info@rosenberger.de		Page 2 / 2